

Sirenco 1000SA

SHORT RANGE SIREN **CE**   

This siren is made with a UV stabilised ABS body and BKV Glass filled Nylon impellor, the 3rd generation 1000m siren since the original Sirenco 1000 was introduced in 1980. The low frequency sound has excellent travel characteristics and is ideal for longer distances in noisy environments. The unit comes with a M20 gland for safe cable connection and a mounting bracket with slotted holes for ease of installation.

A reliable siren with a 2 year guarantee*

Typical applications:

Signalling or alarm applications indoor or outdoor, time clock systems, pre-start up warning in automated plants or conveyor belts, fire/evacuation alarm for buildings and as a school bell.



SPECIFICATIONS

VOLTAGE	12VAC/DC 24VAC/DC 110VAC/DC 220VAC/DC
DUTY CYCLE	12V/24V:5min on - 15min off 110V/220V: Continuous
SOUND OUTPUT	114dB(A) @ 1m
SOUND FREQUENCY	1250 Hz
APP. RANGE	1 000m in still air on open field
MOTOR	200W @ 9000 rpm
CURRENT CONSUMPTION	12V - 10.6A 24V - 7.5A 110V - 1.0A 220V - 0.7A
IP RATING	IP 45
WEIGHT	1.2kg
PACKING DIMENSIONS	190mm x 150mm x 150mm

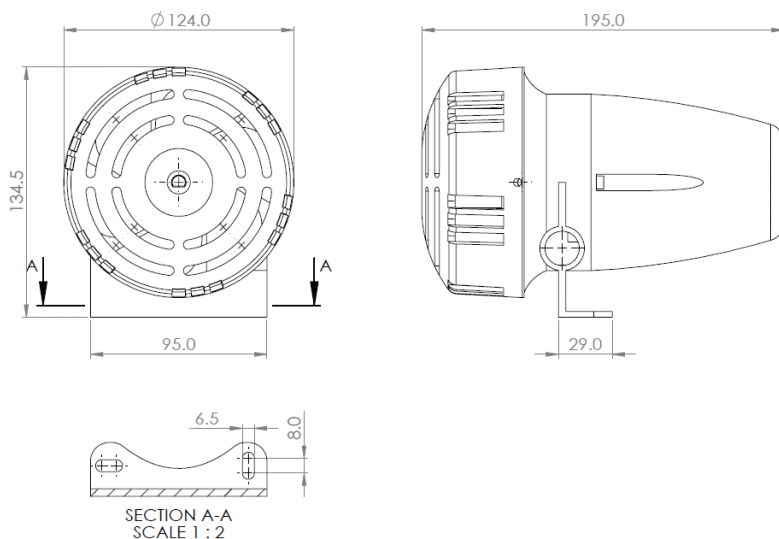
NOTES |

PRODUCT CODES

Code	SA10012	SA10024	SA10110	SA10220					
Detail	12Vac/dc	24Vac/dc	110Vac/dc	220Vac/dc					

TECHNICAL DRAWINGS

All dimensions in mm



OPTIONAL EXTRAS

School & Factory Timer

