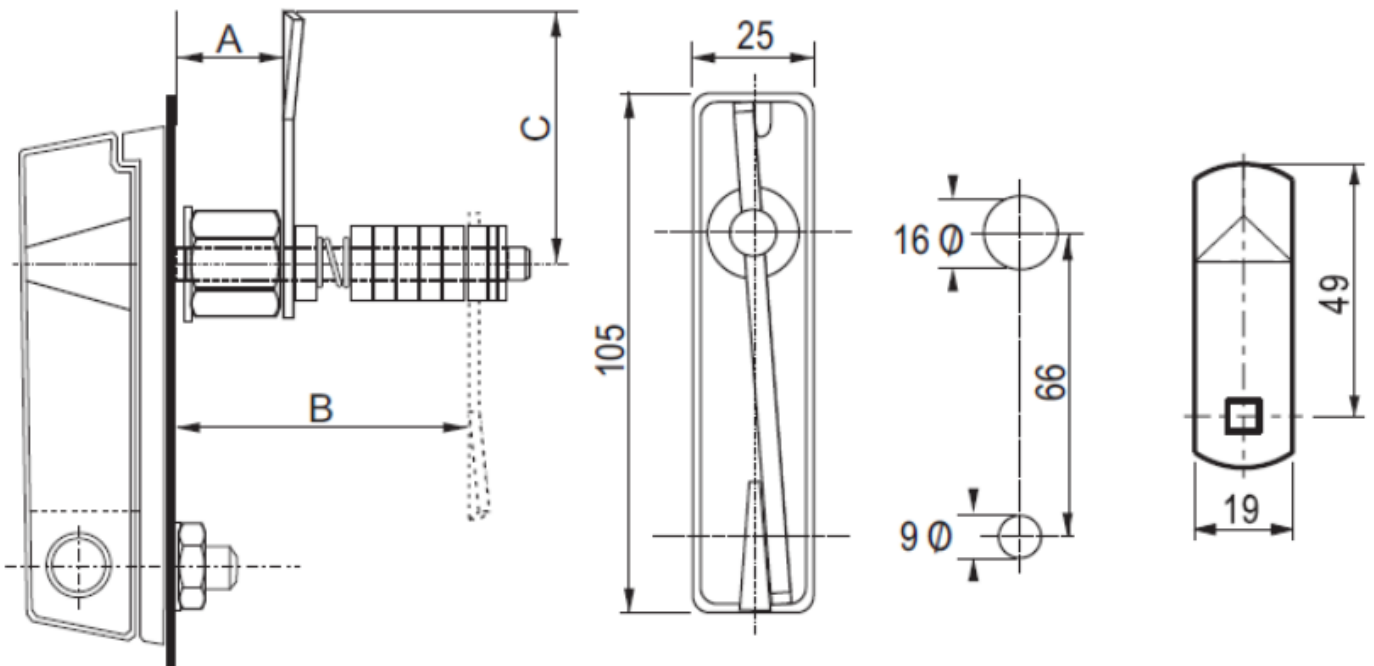


Product SPECIFICATION SHEET

PERANO PADLOCKABLE LEVER LOCK 16mm

16-4431-06



ITEM CODE	DESCRIPTION	MATERIAL	A	B	C
16-4431-06	Padlockable Lever Lock	Zinc Die Cast	20	37	49

BRANCH CONTACT DETAILS

Johannesburg 010 202 3300
 Germiston 011 418 9600
 Cape Town 021 510 0710
 Pinetown 031 700 4215
 Riverhorse 031 492 4800

NATIONAL CALL CENTRE

Sales 010 202 3400
 Technical 010 202 3500

www.acdc.co.za