

Sirenco 2D

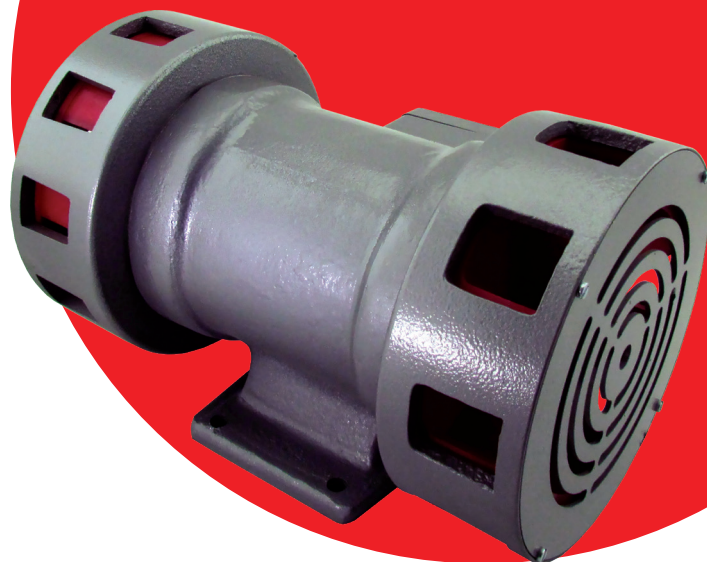
LONG RANGE SIREN **CE**  

An outdoor weatherproof industrial siren made with a durable aluminium body and powerful continuous rated electric motor. The low frequency sound output ensures a sound distance of up to 2km.

A reliable siren with a 2-year guarantee*

Typical applications:

Emergency and warning notification device at open cast mines, quarries, larger factories, and open areas. Suitable for use as an emergency and warning notification device at indoor noisy environments.



SPECIFICATIONS

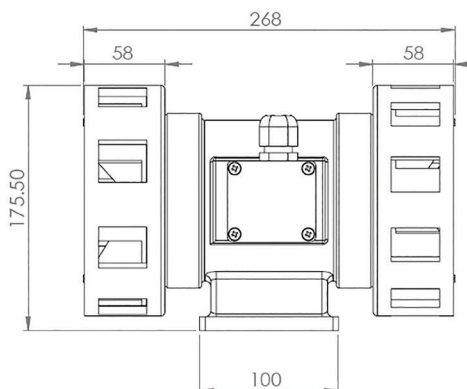
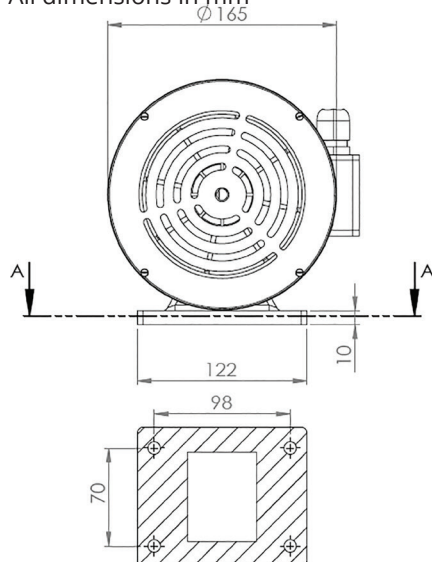
VOLTAGE	110VAC/DC 220VAC/DC
DUTY CYCLE	Continuous Rated
SOUND OUTPUT	126dB(A) at 1m
SOUND FREQUENCY	370Hz / 660Hz
APP. RANGE	2 000m in still air on open field
MOTOR	215W @ 6500rpm
CURRENT CONSUMPTION	110V - 2.2A 220V - 1.8A
IP RATING	IP 65
WEIGHT	8.2kg
PACKING DIMENSIONS	240mm x 183mm x 183 mm
NOTES	

PRODUCT CODES

Code	SM20110	SM20220							
Detail	110V	220V							

TECHNICAL DRAWINGS

All dimensions in mm



OPTIONAL EXTRAS

School & Factory Timer

