




# WATERTIGHT JUNCTION BOXES

**SCREWED LID & KNOCK OUTS - IP65**  
**100x100 – 120x80 – 150x110 – 190x145**

## TECHNICAL DATA SHEET

Directive	LVD 2014/35/EU				
Standards Amends	EN 60670-1:2005+A1:2013 Boxes and Enclosures, Electrical Installations EN 60670-22:2006 Boxes and Enclosures, Particular Requirements EN 60529 Degrees of Protection , Enclosures, IP Rate				
RoHS Compliant	2022/95/EC Restriction of Hazardous substances, RoHS				
Applications	Indoor – Outdoor - Residential – Industrial Plastic box with Hinged Screwed Lid Wiring, Junction or Extension – General Proposes With Knock Out entries for Accessories - Conduits – Cables, etc				
Installations	Exposed – Wall mounted				
	Wiring, Power, Lighting, Automation, Telecom, CCTV, 				
Material	Polyvinyl Chloride > U-PVC				
Characteristics	IP Rate	Solid	6	Water	5
	Glow Wire Test	850 °C			
	Resistance - UV	R			
	Resistance - Chemicals	R			
	Resistance - Fire	FR-SE			
	Dielectric Strength	+400V			
	Temperature range	-15 °C		+60 °C	
	Color.1	Grey RAL7035			



**IP65**

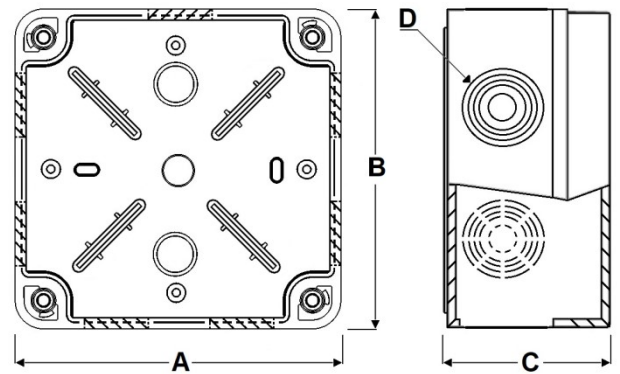


# WATERTIGHT JUNCTION BOXES

## KNOCK OUT 100x100 PS – 100x100 MS

IP 65

TYPE	100x100 PS	100x100 MS
CODE	32-21045-100	32-21041-100
Lid Screws	Plastic	INOX
A _mm	105	100
B _mm	105	100
C / mm	55	50
D Entries Max OD Ø _mm	29	29
COLOR	Gray	Gray
PACKING / pcs	60	60



## KNOCK OUT 120x80 - 150x110 - 190x145

IP 65

TYPE	120x80	150x110	190x145
CODE	32-21042-120	32-21043-150	32-21044-190
Lid Screws	Plastic	Plastic	Plastic
A _mm	120	150	190
B _mm	80	110	145
C / mm	50	70	70
D Entries Max OD Ø _mm	25	32	32
COLOR	Gray	Gray	Gray
PACKING / pcs	50	24	24

