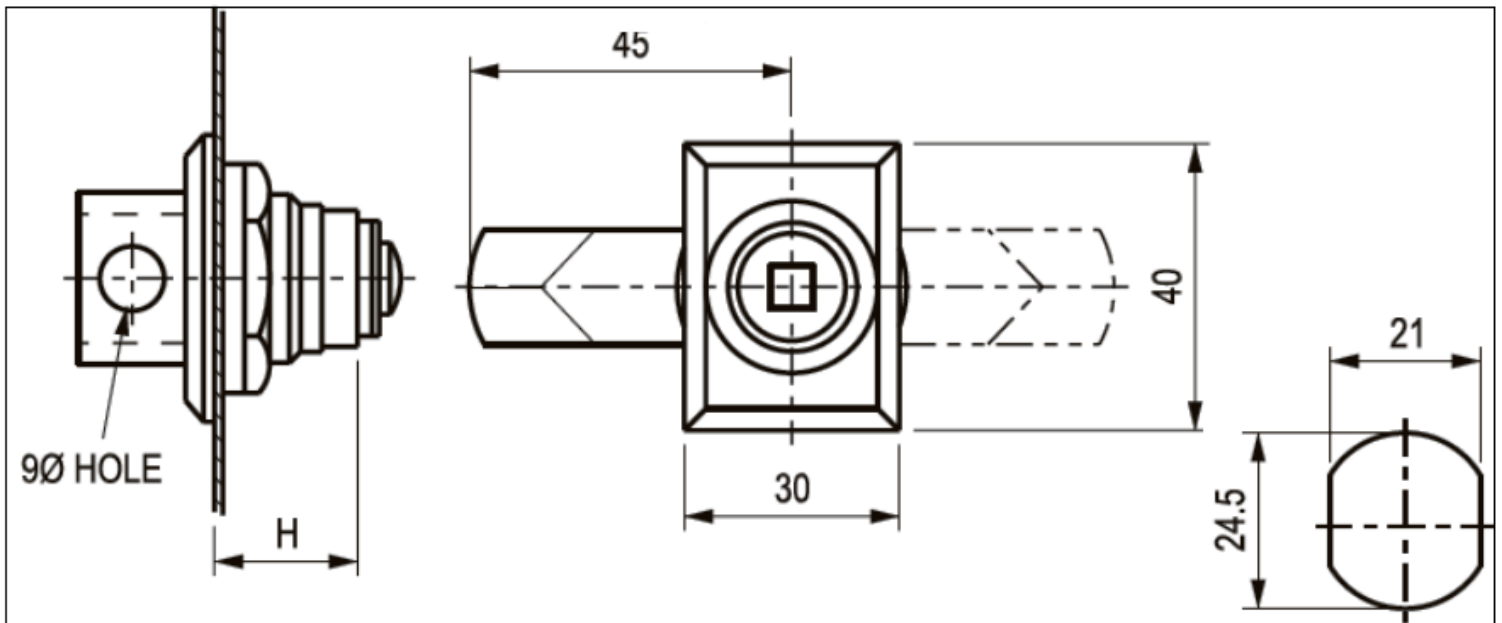


Product SPECIFICATION SHEET

PADLOCKABLE DINLOCK. 25x23mm, 6mm SQ KEY

B-26311



DESCRIPTION	MATERIAL	FINISH					
Series 26300 6mm Square Drive Padlock Panel Lock	Zinc/Polyamide	Black Powder Coated					
DIMENSION H	16	20	24	28	32	40	46
B-26311	26311	26312	26313	26314	26315	26316	26317

BRANCH CONTACT DETAILS
 Johannesburg 010 202 3300
 Germiston 011 418 9600
 Cape Town 021 510 0710
 Pinetown 031 700 4215
 Riverhorse 031 492 4800

NATIONAL CALL CENTRE
 Sales 010 202 3400
 Technical 010 202 3500
www.acdc.co.za