

BEL4118-E1



Overview

7 Day timer programmable.
6 time, 6 temp, per day.
Remote sensor with 3m cable.
Manual override in HR, day and
until next program.
Room control temp, 10°C-30°C
Anti-freeze protection.
Switching current up to 230VAC 16A

■ SPECIFICATION FOR HEATING SYSTEMS

TEMPERATURE MEASUREMENT RANGE: 5 - 35 °C

TEMPERATURE CONTROL RANGE: 7 -35°C

TEMPERATURE ACCURACY: 20°C ± 1°C,

LOADING: MAX 16A (RESISTIVE ONLY);

POWER: 230V 50HZ;

TERMINALS: L, N, COM, NO, FLOOR SENSOR, FLOOR SENSOR.

■ TIME SETTING:

- 1) PRESS "DAY" KEY ONCE TO FLASH THE DAY OF WEEK, PRESS "+" OR "-" KEY TO SET THE DAY.
- 2) PRESS "DAY" KEY AGAIN TO FLASH HOUR, PRESS "+" OR "-" KEY TO SET THE HOUR (0 - 23)
- 3) PRESS "DAY" KEY AGAIN TO FLASH MINUTE, PRESS "+" OR "-" KEY TO SET THE MINUTE (0 - 59).
- 4) PRESS "SET" KEY TO CONFIRM OR WAIT 15 SECONDS TO CONFIRM AUTOMATICALLY.

■ PROGRAM SETTING:

- 1) HOLD "SET" KEY AND DON'T RELEASE, THEN PRESS "PROG" KEY ONCE TO FLASH DAY OF WEEK 1- 7.
- 2) PRESS "+" OR "-" KEY TO SET THE DAY (1-7 OR 1, 2, 3, 4, 5, 6, 7) WHICH YOU WANT TO PROG.
- 3) PRESS "PROG" KEY AGAIN TO DISPLAY "P1" AND FLASH TIME. PRESS "+" OR "-" KEY TO SET THE CLOCK (10 MIN INCREMENT).
- 4) PRESS "PROG" KEY AGAIN TO FLASH TEMPERATURE, PRESS "+" OR "-" KEY TO SET THE RUNNING TEMPERATURE (0.5°C INCREMENT).
- 5) PRESS "PROG" KEY AGAIN TO DISPLAY "P2" AND FLASH CLOCK.
- 6) REPEAT ABOVE STEPS TO SET P2-P6 PROG.
- 7) AFTER FINISHED P6 SETTING, PRESS "PROG" KEY TO RETURN TO STEP 2. AFTER SET ALL PROG. PRESS "SET" KEY TO CONFIRM.

PRESS "PROG" KEY, YOU CAN CHECK PROG DATA.

DEFAULT PROG:

P1 : 7:00, 20°C P2 : 9:00, 17°C P3 : 12:30, 20°C P4 : 15:00, 19°C

P5 : 17:30, 22°C P6 : 23:00, 17°C

BRANCH CONTACT DETAILS

Johannesburg	010 202 3300
Germiston	011 418 9600
Cape Town	021 510 0710
Pinetown	031 700 4215
Riverhorse	031 492 4800

NATIONAL CALL CENTRE

Sales	010 202 3400
Technical	010 202 3500

www.acdc.co.za

BEL4118-E1

■ TEMPERATURE OVERRIDE

1. MANUAL TEMPERATURE

PRESS "HOLD" KEY ONCE TO DISPLAY KEY SYMBOL, PRESS "+" OR "-" KEY TO SET TEMPERATURE. PRESS "PROG" KEY ONCE, THEN PRESS "SET" KEY TO CONFIRM OR WAIT 15 SECONDS TO CONFIRM AUTOMATICALLY. THE OVERRIDE TEMPERATURE WILL BE KEPT UNTIL YOU PRESS "SET" KEY TO EXIT MANUALLY.

2. HOLD TEMPERATURE FOR "X" DAYS

PRESS AND HOLD "HOLD" KEY FOR 3 SECONDS TO DISPLAY "d:01" AND CASE SYMBOL. PRESS "+" OR "-" KEY TO SELECT HOLD DAYS (d:01 - d:99). PRESS "PROG" KEY ONCE WHEN FINISHED, THEN PRESS "SET" TO CONFIRM, OR WAIT 15 SECONDS TO CONFIRM AUTOMATICALLY. PRESS "+" OR "-" KEY TO SET DESIRED TEMPERATURE. THE TEMPERATURE WILL BE KEPT UNTIL THE SET AMOUNT OF DAYS HAVE PASSED. OR YOU CAN PRESS THE "SET" KEY TO EXIT MANUALLY.

3. HOLD TEMPERATURE FOR "X" HOURS

PRESS "+" OR "-" KEY TO SET DESIRED TEMPERATURE, PRESS "DAY" KEY TO SELECT RUNNING HOURS (1 - 9 HOURS). PRESS "PROG" KEY ONCE WHEN FINISHED, THEN PRESS "SET" TO CONFIRM, OR WAIT 15 SECONDS TO CONFIRM AUTOMATICALLY. THE TEMPERATURE WILL BE KEPT UNTIL THE SET HOURS HAVE PASSED. OR YOU CAN PRESS "SET" KEY TO EXIT MANUALLY.

4. HOLD CURRENT PROG TEMPERATURE

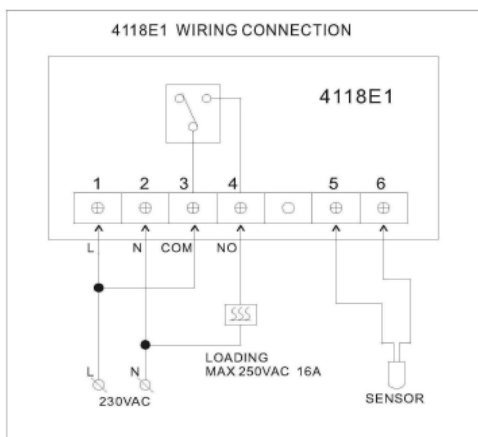
PRESS "+" OR "-" KEY TO SET DESIRED TEMPERATURE, PRESS "PROG" KEY ONCE, THEN PRESS "SET" TO CONFIRM, OR WAIT 15 SECONDS TO CONFIRM AUTOMATICALLY. THE TEMPERATURE WILL BE KEPT UNTIL THE NEXT PROGRAM PERIOD. OR YOU CAN PRESS "SET" KEY TO EXIT MANUALLY.

■ PUMP

IF IT DOESN'T TURN ON FOR 24 HOURS, IT WILL TURN ON FOR 1 MINUTE AT 0:00.

■ RESET

HOLD "SET" KEY AND DON'T RELEASE, THEN PRESS "RESET" KEY ONCE TO RESUME FACTORY DEFAULT VALUE.



BRANCH CONTACT DETAILS

Johannesburg 010 202 3300
Germiston 011 418 9600
Cape Town 021 510 0710
Pinetown 031 700 4215
Riverhorse 031 492 4800

NATIONAL CALL CENTRE

Sales 010 202 3400
Technical 010 202 3500

www.acdc.co.za