

Solar Shed Light



BSL-PO807N

Thank you very much for selecting our solar power lights!

NOTE:

The instruction manual describes correct operating method to ensure prolonged service life. Please read and completely understand this manual before operating the solar light. Always save this manual for future reference.

CAUTION: DO NOT DISPOSE OF BATTERY IN FIRE.

IMPORTANT:

This product contains 2 rechargeable NiMH batteries. When the battery life is exhausted, the battery must be recycled or disposed of properly. For additional information regarding disposal, contact your local county solid waste authority.

Feature:



The energy is stored in rechargeable battery.



58hours working time.



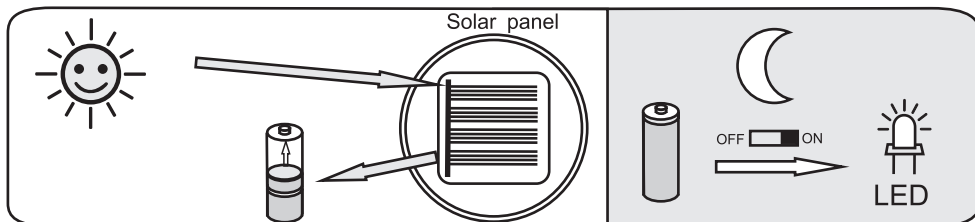
Solar powered, easy installation.



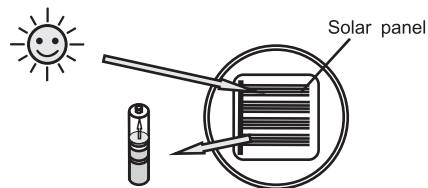
Super bright LED in the light ensure bright light.

How the solar-powered light works:

Solar lights do not receive as much direct sunlight in winter months; therefore, the light time will be reduced during winter.

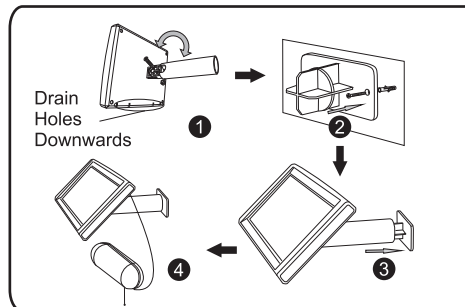


Before first use:

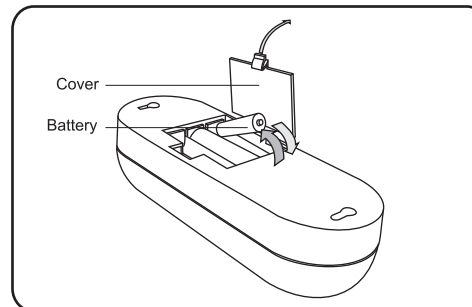


3 DAYS CHARGE

Installation:

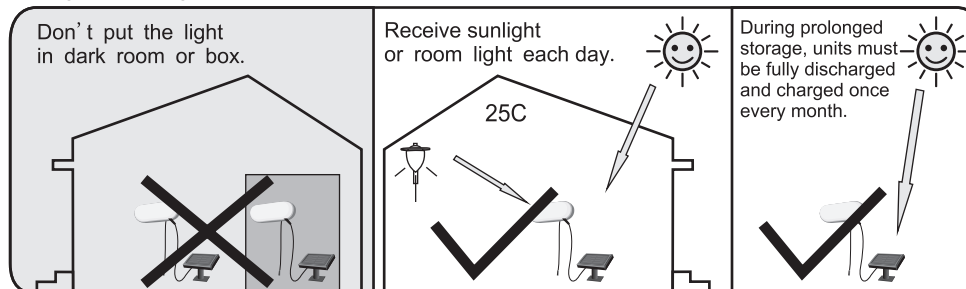


Replace Battery:

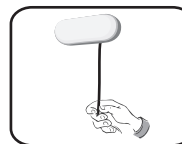


Storage tips:

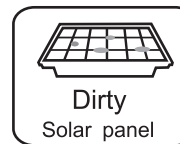
If you wish to store your light indoors for more than two or three days, follow these steps to prevent damage to rechargeable batteries:



Troubleshooting information:

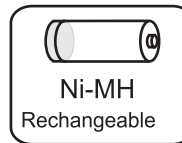


Check if you have turned on the light.



Dirty Solar panel

Dirty solar panel will not allow the battery to fully charge.



Ni-MH Rechargeable

Battery is not fully charged or needs replacement.