

ECHO-PIEZO BUZZER

B11 SERIES

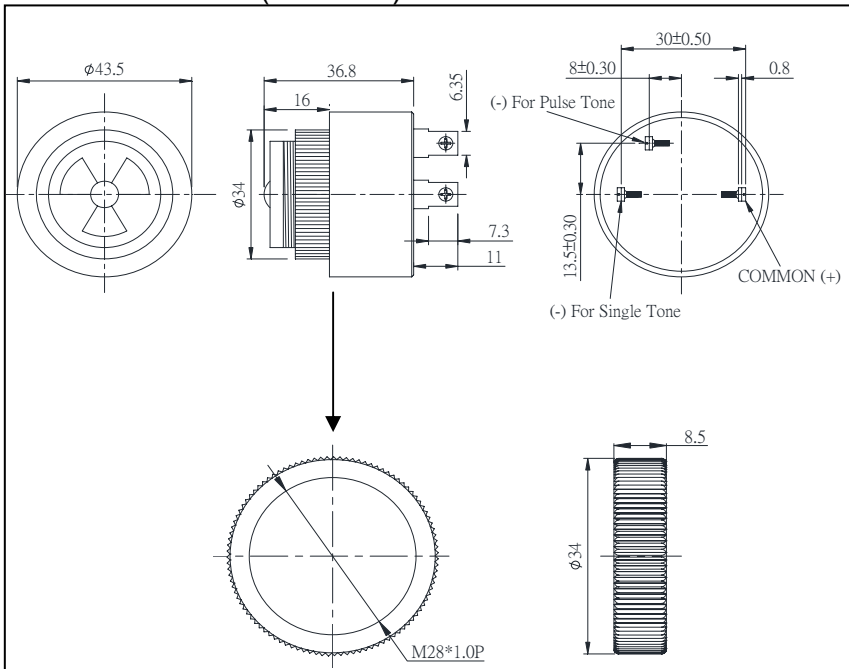
Colour:Black
 Case,Nut-ABS(PA-765)
 Bottom sealed with polymeric resin/Plastic bottom cover
 Terminals-0.8mm brass tin plated,tapped for
 M3.5x0.6 pitch screw,Two
 M3.5x0.6 pitch screw included will accept
 6.35mm quick disconnect
 PCB mounting also available.



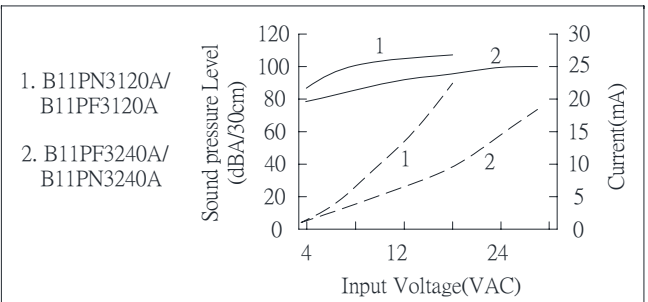
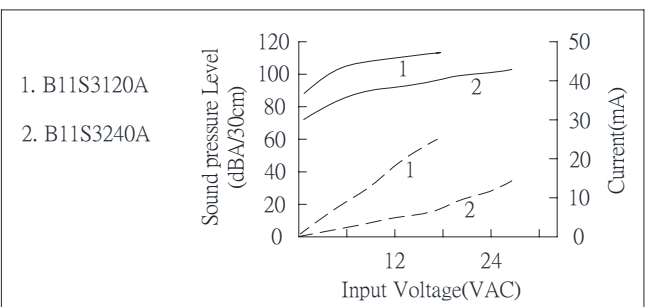
FEATURES:

- Panel mounted
- Medium to loud sound output
- Single/pulse/dual
- Rigid construction
- Plate terminals
- Vane Volume Control(Sound adjustable)
- Operating temperature -20°C--+70°C
- Storage temperature -30°C--+70°C

DIMENSIONS: (unit: mm)



CHARACTERISTICS:



Remark: ——— Pressure level - - - - - Current

SPECIFICATIONS:

Model No.	Operating Voltage (VDC)	Rated Voltage (VDC)	Max.Current at Rated Voltage(mA)	Frequency (kHz)	Max.Sound Pressure at Rated Voltage (dBA/30cm) Vane Volume Control Open	Pulse Rate at Rated Voltage (Pulse/Sec)	Tone	Terminal
B11S3120A	1-16	12	30	2.9±0.5	100	NIL	SINGLE	PLATE
B11S3240A	1-28	24	15	2.9±0.5	90	NIL	SINGLE	PLATE
B11PN3120A	4-16	12	20	2.9±0.5	90	0.8-1.2	PULSE	PLATE
B11PN3240A	4-28	24	22	2.9±0.5	80	0.8-1.2	PULSE	PLATE
B11PF3120A	4-16	12	20	2.9±0.5	90	4-6	PULSE	PLATE
B11PF3240A	4-28	24	22	2.9±0.5	80	4-6	PULSE	PLATE
B11D3120A	4-16	12	25/20	2.9±0.5	95/90	0.8-1.2	SINGLE/PULSE	PLATE
B11D3240A	4-28	24	30/20	2.9±0.5	85/80	0.8-1.2	SINGLE/PULSE	PLATE
B11D3240FA	4-28	24	20/20	2.9±0.5	85/80	4-6	SINGLE/PULSE	PLATE

Remark: A=Sound adjustable

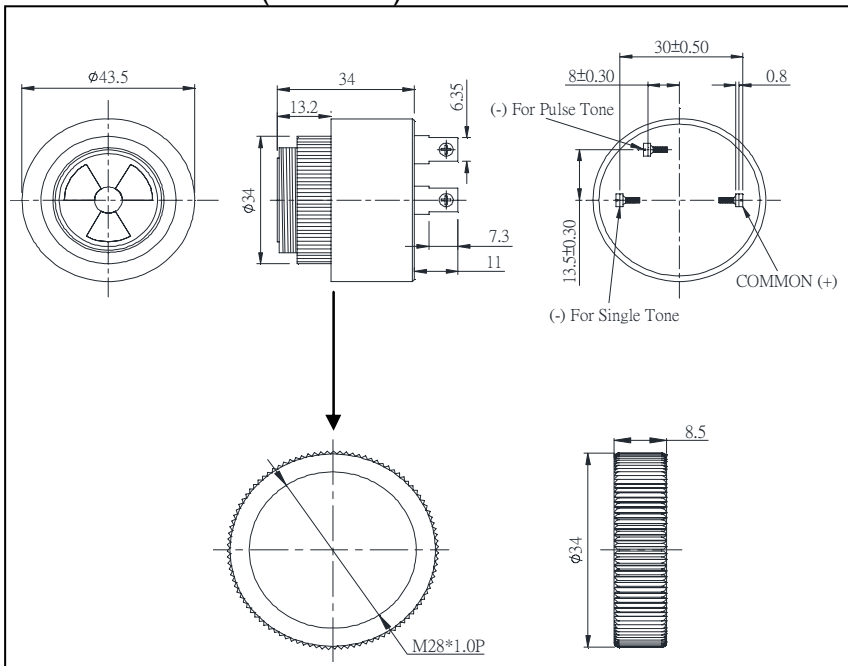


Colour:Black
 Case,Nut-ABS(PA-765)
 Bottom sealed with polymeric resin/Plastic bottom cover
 Terminals-0.8mm brass tin plated,tapped for
 M3.5x0.6 pitch screw,Two
 M3.5x0.6 pitch screw included will accept
 6.35mm quick disconnect
 PCB mounting also available.

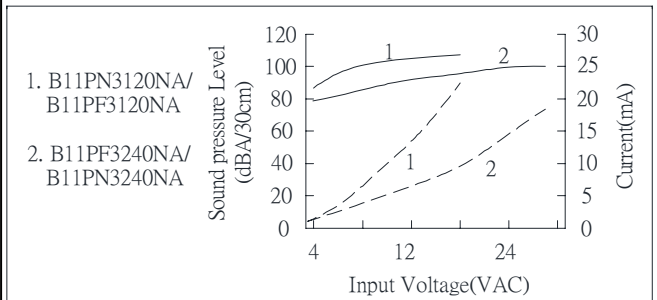
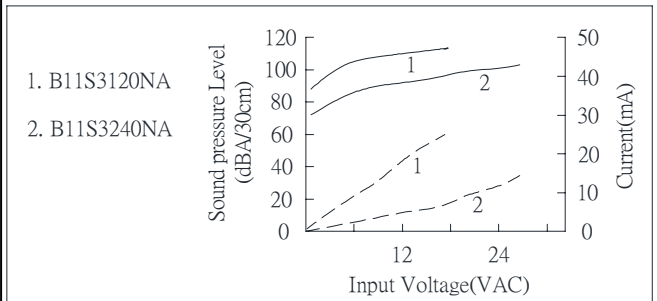
FEATURES:

- Panel mounted
- Medium to loud sound output
- Single/pulse/dual
- Rigid construction
- Plate terminals
- Operating temperature -20°C--+70°C
- Storage temperature -30°C--+70°C

DIMENSIONS: (unit: mm)



CHARACTERISTICS:



Remark: ——— Pressure level - - - - - Current

SPECIFICATIONS:

Model No.	Operating Voltage (VDC)	Rated Voltage (VDC)	Max.Current at Rated Voltage(mA)	Frequency (kHz)	Min.Sound Pressure at Rated Voltage (dBA/30cm)	Pulse Rate at Rated Voltage (Pulse/Sec)	Tone	Terminal
B11S3120NA	1-16	12	30	2.9±0.5	100	NIL	SINGLE	PLATE
B11S3240NA	1-28	24	15	2.9±0.5	90	NIL	SINGLE	PLATE
B11PN3120NA	4-16	12	20	2.9±0.5	90	0.8-1.2	PULSE	PLATE
B11PN3240NA	4-28	24	22	2.9±0.5	80	0.8-1.2	PULSE	PLATE
B11PF3120NA	4-16	12	20	2.9±0.5	90	4-6	PULSE	PLATE
B11PF3240NA	4-28	24	22	2.9±0.5	80	4-6	PULSE	PLATE
B11D3120NA	4-16	12	25/20	2.9±0.5	95/90	0.8-1.2	SINGLE/PULSE	PLATE
B11D3240NA	4-28	24	30/20	2.9±0.5	85/80	0.8-1.2	SINGLE/PULSE	PLATE
B11D3240FNA	4-28	24	20/20	2.9±0.5	85/80	4-6	SINGLE/PULSE	PLATE

Remark: NA=Sound without adjustable