

# Product SPECIFICATION SHEET

**ACDC**  
DYNAMICS  
[www.acdc.co.za](http://www.acdc.co.za)

C1355



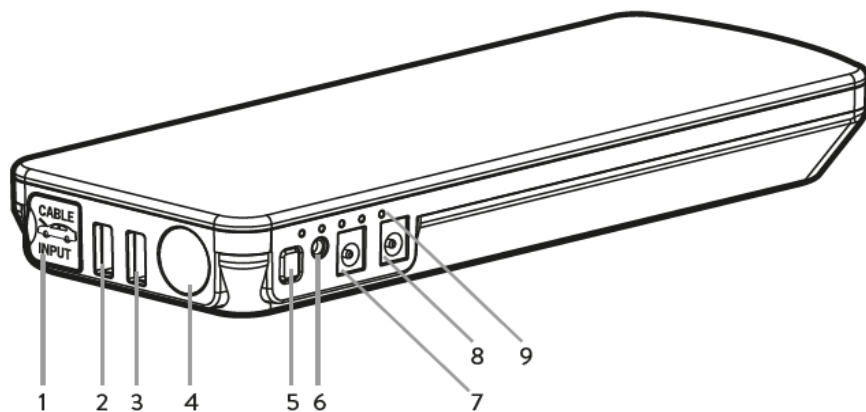
## WHAT'S IN THE BOX

- Jump starter
- Clamps with "Smart jump start system™" feature
- Wall charger
- 12V car charger
- USB to micro USB cable
- Set for Notebook connectors



## OPERATIONS

1. Jump start socket
2. USB Port 5V / 2A Output
3. USB Port 5V / 1A Output
4. Flashlight
5. ON/OFF switch
6. 14V / 1A Input
7. Output 19V / 3.5A
8. Output 12V / 10A
9. Charge level indicator



### BRANCH CONTACT DETAILS

Johannesburg	010 202 3300
Germiston	011 418 9600
Cape Town	021 510 0710
Pinetown	031 700 4215
Riverhorse	031 492 4800

### NATIONAL CALL CENTRE

Sales	010 202 3400
Technical	010 202 3500

[www.acdc.co.za](http://www.acdc.co.za)

# Product SPECIFICATION SHEET

C1355

## CHARGE LEVEL INDICATOR

Press the switch button to check the battery level.  
When charging, the indicator lights will flash one by one.

The number of steady indicator lights show the battery capacity:

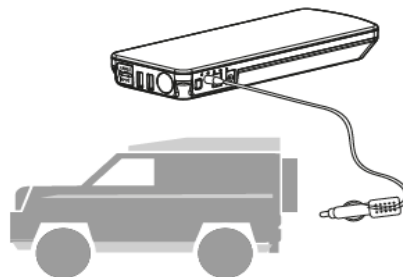
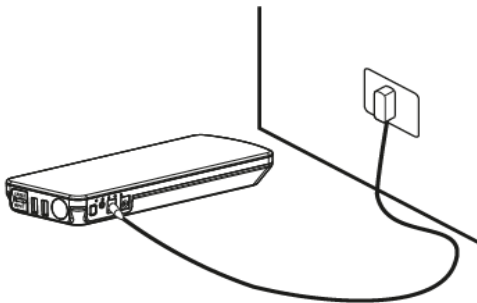
Indicator lights	No light	5 flashing	1 steady	2 steady	3 steady	4 steady	5 steady
Battery capacity	0%	10%	20%	40%	60%	80%	100%

All indicator lights are off when charging is completed.

## CHARGING ENERJUMP WORK

We recommend to fully charge **Enerjump Work** every 6 months.

- Plug the wall adaptor into the universal socket.
  - Connect the 14V-1A input port of **Enerjump Work** to the other end of the wall charger.
- or
- Plug the car adaptor into the socket of the cigarette lighter.
  - Connect the 14V-1A input port of **Enerjump Work** to the other end of the car adaptor.



## SMART JUMP START SYSTEM™

The device is supplied with special clamps with "Smart Jump Start System™".

They have the following features:

- Automatically protect the device against short circuits
- Automatically prevent the polarity inversion

This function is always active.

### BRANCH CONTACT DETAILS

Johannesburg	010 202 3300
Germiston	011 418 9600
Cape Town	021 510 0710
Pinetown	031 700 4215
Riverhorse	031 492 4800

### NATIONAL CALL CENTRE

Sales	010 202 3400
Technical	010 202 3500

[www.acdc.co.za](http://www.acdc.co.za)

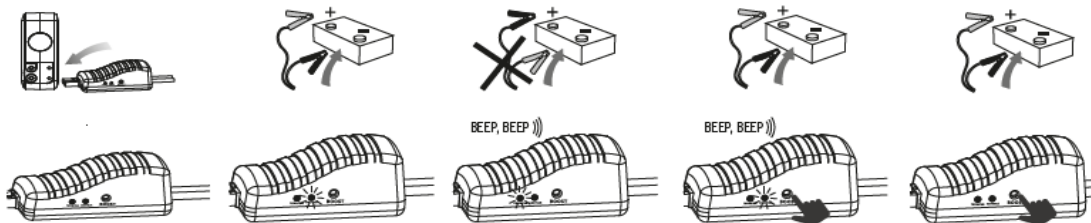
# Product SPECIFICATION SHEET

**ACDC**  
DYNAMICS  
[www.acdc.co.za](http://www.acdc.co.za)

C1355

## STARTING A VEHICLE

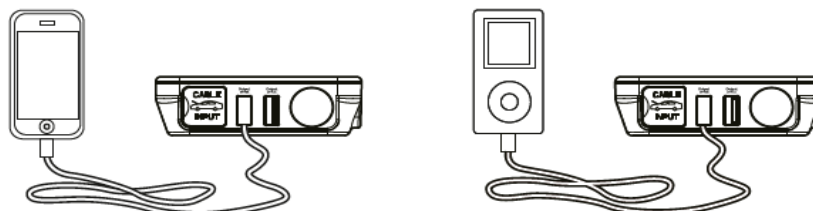
1. Make sure that **Enerjump Work** is properly charged (the number of the indicator lights must be not less than 3).
2. Turn off all the accessories on the vehicle.
3. Connect the clamps' circuit to the socket "JUMPER CABLE" of **Enerjump Work** and make sure that the cable indicator is off.
4. Connect the red battery clamp to the vehicle's positive (+) battery terminal and connect the black battery clamp to vehicle's negative (-) battery terminal. **Warning: pay attention to the polarity!**
5. Press the BOOST key on the clamps' circuit; then you will find on the following options:
  - **Green led on:** the connection is correct and the circuit is working. You can turn on the engine.
  - **Red led on and buzzing:** incorrect connection. Remove the cable (circuit) from **Enerjump Work** and try again. Then turn on the vehicle.
  - **Flashing green led and buzzing:** the battery of your vehicle has a low voltage. Push the "BOOST" key; the green led lights up. Turn on the engine within 30 seconds.
  - **All leds are off and no buzzing:** the battery of your vehicle is probably dead. Make sure that the connection is correct and then press the "BOOST" button: the green led lights up. Start the vehicle within 30 seconds.
6. If the engine starts, disconnect the red and black clamps from the vehicle's battery terminal within 30 seconds.
7. Leave the vehicle's engine running for a few minutes.
8. If the vehicle does not start at a first trial, wait 1 minute and repeat the procedure.



## CHARGING A MOBILE DEVICE WITH USB PORT

Plug the USB cable to one of the USB output ports .

Connect the other end of the cable to your device. The charging lights will be on when charging.



### BRANCH CONTACT DETAILS

Johannesburg 010 202 3300  
Germiston 011 418 9600  
Cape Town 021 510 0710  
Pinetown 031 700 4215  
Riverhorse 031 492 4800

### NATIONAL CALL CENTRE

Sales 010 202 3400  
Technical 010 202 3500

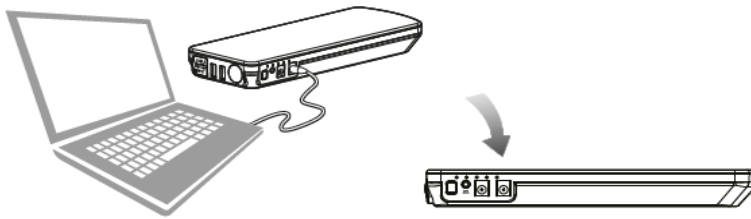
[www.acdc.co.za](http://www.acdc.co.za)

# Product SPECIFICATION SHEET

C1355

## TO CHARGE/POWER SUPPLY A NOTEBOOK (19V)

1. Plug the supplied cable for Notebook to the 19V/3.5A output port
2. Choose the appropriate connector for your Notebook and connect it to the cable and then to the Notebook.
3. Press the switch button of **Enerjump Work** to charge/power supply.



## TO CHARGE/POWER SUPPLY 12V DEVICES

The 12V electronic devices can be powered/charged through the 12V/10A Output port.

## LED FLASHLIGHT

Press the switch button for 3 seconds to turn on the flashlight. Press it again slightly and the flashlight will light up in 4 different modes in sequence (normal, strobe, SOS, off).

## TROUBLE SHOOTING

PROBLEM	CAUSES	CORRECTIVE ACTION
No response when the device is turned on	Low voltage protection of <b>Enerjump Work</b>	Plug the adaptor into the 14V / 1A Input port to recharge the device
<b>Enerjump Work</b> is a bit hot while charging a Notebook	The charging current is a bit high (3.5A)	Remove the battery from your Notebook and recharge it /supply power directly; or disconnect <b>Enerjump Work</b> from your Notebook and try again when it is cool

### BRANCH CONTACT DETAILS

Johannesburg 010 202 3300  
Germiston 011 418 9600  
Cape Town 021 510 0710  
Pinetown 031 700 4215  
Riverhorse 031 492 4800

### NATIONAL CALL CENTRE

Sales 010 202 3400  
Technical 010 202 3500

[www.acdc.co.za](http://www.acdc.co.za)

# Product SPECIFICATION SHEET



C1355

## TECHNICAL SPECIFICATIONS

Size	87x230x27mm
Weight	615g
Charging hours	8 hours
Capacity	18000mAh
Input	14V-1A
Output	5V/2A; 5V/1A (Smartphones-Tablets) 12V/10A (Portable coolers and other 12V devices) 19V/3.5A (Laptop, PC) 12V (Jump Starter)
Starting current	300A(12V)
Peak current	600A(12V)
Temperature range	-10°C / +60°C

Specifications are subject to change without notice.

## SAFETY INSTRUCTIONS / WARNINGS

- Charge **Enerjump Work** fully prior to use.
- **WARNING:** Keep the unit clear of fire and water.
- **WARNING:** Shock Hazard. Keep away from children. Do not insert foreign objects into the DC input jack, USB ports or into the jumper cables jacks. Do not open **Enerjump Work**.
- **WARNING:** Explosion Hazard. Do not use this product where there are flammable fumes or gases, such as in the bilge of a gasoline- powered boat, or near propane tanks.
- Do not leave **Enerjump Work** completely unattended while being charged; please check the recharge will proceed regularly.
- Do not charge the device close to flammable substances.
- **WARNING:** Fire Hazard. Do not crush or puncture **Enerjump Work**. Do not short circuit metal contacts or cables. Always disconnect the jump start cables from **Enerjump Work** after each use and store separately. The jump start feature is designed for short term operation only. Allow **Enerjump Work** to cool down for at least 1 minute after each jump start attempt.
- Do not touch cables immediately after use, they could be overheated.

## IMPORTANT SAFETY INSTRUCTIONS

- Operating temperature: Using **Enerjump Work** at high or low temperatures may reduce the internal battery capacity and shorten the battery life.

**Note: In extreme cold weather conditions, please bring Enerjump Work indoors for best results.**

- Remove personal metal items such as rings, bracelets, necklaces, and watches when working with batteries.

## GENERAL WARNINGS

- **Enerjump Work** is supplied with a rechargeable Li-Cobalt battery. This battery is self-contained and not consumer replaceable. Battery must be disposed of properly when it no longer holds a charge.
- Proper charging practices will increase the life of the batteries.

### BRANCH CONTACT DETAILS

Johannesburg	010 202 3300
Germiston	011 418 9600
Cape Town	021 510 0710
Pinetown	031 700 4215
Riverhorse	031 492 4800

### NATIONAL CALL CENTRE

Sales	010 202 3400
Technical	010 202 3500

[www.acdc.co.za](http://www.acdc.co.za)