



Totalising Counter 6 digit, panel mount

CC 120

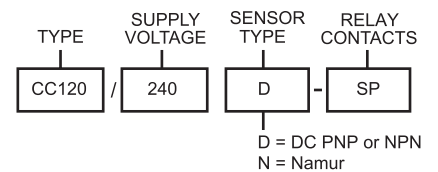


Features

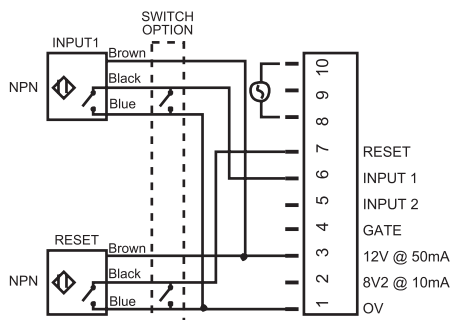
- 48 x 72 mm panel mount housing format.
- Large 6-digit LED display with leading zero suppression.
- High speed count input (5kHz) with positive or negative active edge (ordering option).
- Independent low speed count input (30Hz).
- Both high & low speed can count simultaneously.
- LED indication of both count inputs.
- Reset achieved via the front panel, via external switch or via NPN sensor
- Gate input for ignoring high speed count input pulses.
- DC (NPN/PNP) or Namur sensor compatible high speed and gate inputs (order option, but DC standard).
- Sensor leads can be connected directly as the CC-120 has an internal sensor power supply.



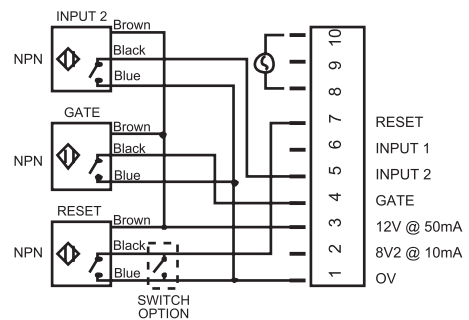
ORDERING CODE



Wiring & Input Connection



INPUT 1 - Low Speed Counting



INPUT 2 - High Speed Input (NPN/PNP Sensor)

Description of Operation

The CC-701 is a fully programmable 4-digit pre-select counter. All programming is performed via the keypad and the user is guided through by the large and clear LED display and user friendly installation instructions.

Low speed count input (Input 1): This input can be activated by either a switch or an NPN sensor. It is designed to ignore contact bounce from mechanical switches by limiting the input frequency to 30HZ. The low speed input increments the displayed count value.

High speed count input (Input 2): This input can be activated by either an NPN/PNP sensor, or on request, a Namur sensor. The high speed input increments the displayed count value. The input frequency is limited to 5kHz.

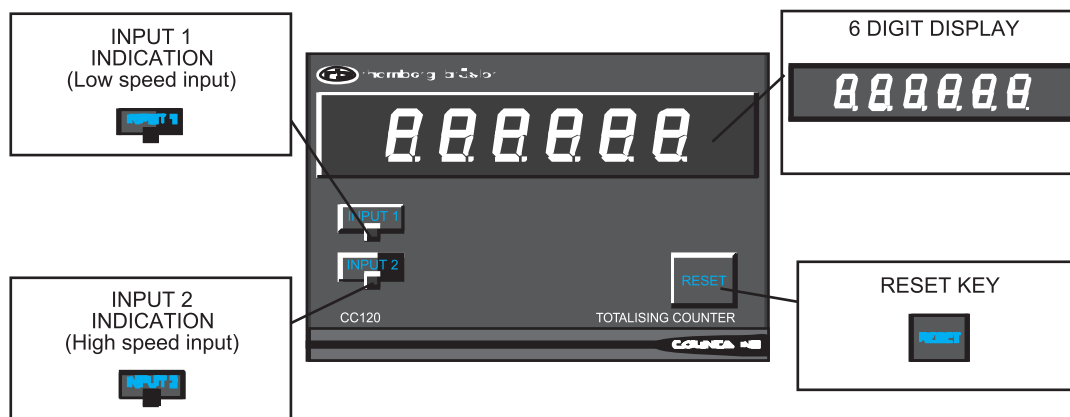
Reset: The counter is reset by momentarily depressing the reset button on the front panel, or by the activation of an external switch or NPN sensor for less than 2 seconds.

Gate input: The gate input can be activated by either an NPN/PNP sensor, or on request, a Namur sensor. The counter ignores the high speed count input pulses and will therefore not register any count while the gate input is activated.

Display

Present value: The present value (PV) displays the present count value. There is separate LED indication of input 1 and input 2 activation.

■ Description of Controls



■ Technical Specification

Input Specifications

Input	Maximum Frequency	Minimum Pulse Width
Low Speed (Input 1)	30 Hz	0.0167 sec
High Speed (Input 2)	5 kHz	100 microseconds
Gate	1 kHz	500 microseconds
Reset	1 kHz	500 microseconds

General Specifications

Power Supply	AC: 110, 230, 400, 415 V \pm 15% Isolation (sensor input to power supply): 2kV DC: 12 V \pm 15% (no galvanic isolation) AC/DC: 24V \pm 15% (no galvanic isolation)
Display	6 digit, 7-segment red LED display, height 10mm
Set-up and data retention	10 years (EEPROM)

Sensor Interface

Internal sensor power supply	
NPN/PNP Sensor (standard unit):	50mA / 12VDC
Namur Sensor (on special order):	10mA / 8.2 VDC
Maximum NPN sensor saturation voltage:	2VDC (high speed count & gate inputs) 2.5VDC (low speed count input)
Maximum PNP sensor saturation voltage:	2VDC (high speed count & gate inputs)