

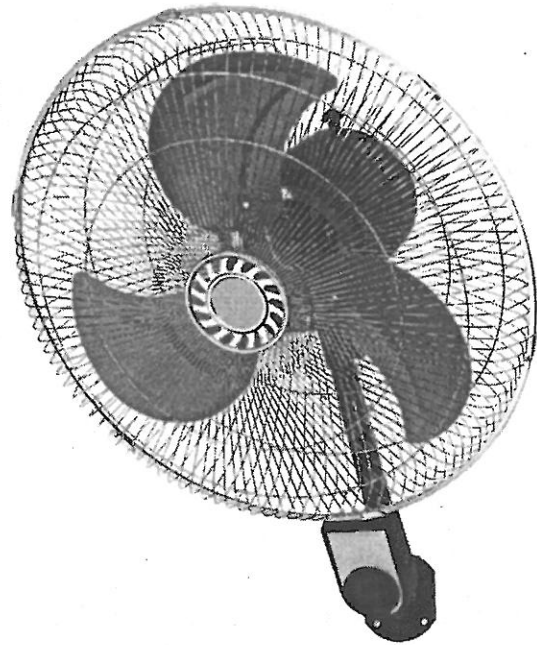


**INSTRUCTIONS FOR:
20" WALL FAN 3 SPEED**

230V~ 50Hz 80W

Item No.: **CHW-V20**

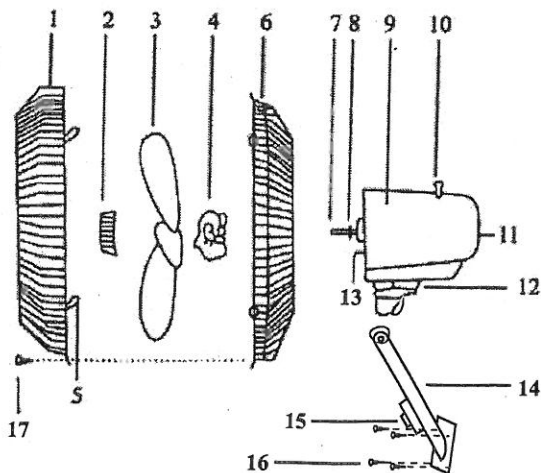
www.acdc.co.za



When using any electrical appliance basic safety precautions should always be followed, including the following :

- 1 . Read all instructions and keep for future reference.
- 2 . This appliance is not intended for use by children or infirm persons without supervision.
3. Young children should be supervised to ensure that they do not play with the appliance.
4. Always unplug the appliance from the mains when not in use.
5. To disconnect the appliance, switch the control to OFF, then unplug from the mains.
6. To unplug the appliance, always grasp the plug; do not pull on the cord.
7. Do not use an appliance with a damaged plug or power cable, or if the appliance malfunctions, or has been dropped or suffered any kind of damage. Return appliance to a qualified person so that it can be examined, adjusted or repaired.
8. Do not use outdoors. This appliance is designed for household use only.
9. Place the power cable away from areas where people walk so that it cannot be stepped on or tripped over.
10. Never clean this appliance when it is plugged in. Do not immerse it in water. Clean the outside surface with a damp cloth or soft brush and dry with a soft dry cloth.
11. Use the appliance only as directed in this manual. Misuse could void your warranty.

ASSEMBLY DIAGRAM - FIG.A



- | | |
|------------------------|-------------------------|
| 1. Front guard | 12. Swivel joint |
| 2. Blade cap | 13. Motor front housing |
| 3. Blade | 14. Base |
| 4. Guard lock nut | 15. Bottom plate |
| 5. Clip | 16. Screw |
| 6. Rear guard | 17. Guard screw |
| 7. Motor shaft | |
| 8. Shaft pin | |
| 9. Motor | |
| 10. Oscillating knob | |
| 11. Motor rear housing | |



ASSEMBLY INSTRUCTIONS

BEFORE CONNECTING ANY POWER:

1. Unscrew the screw on the edge of the rear grill.
2. Unscrew the blade cap by turning clock wise and guard lock nut by turning counter clockwise.
3. Mount the rear guard on the motor by matching the 2 holes on the rear guard to the 2 round pins on the motor front housing. Push in firmly until 2 pins protrude through the 2 holes,
4. Secure the rear guard to the motor housing with guard lock nut,
5. Insert the blade onto motor shaft by matching the slots in the blade with pin in shaft and tighten the blade with blade cap by turning counter clockwise,
6. Spin the blade by hand to make sure there is no friction with the guard lock nut, Blade should rotate freely; otherwise repeat steps again from Step 1,
7. Mount front guard onto rear guard by inserting hook of front guard over rear guard and secure with clips on front guard.
8. Tighten the screw on the edge of the rear grill through the front grill as shown n FIG. A.

INSTALLING THE FAN ON THE WALL

1. **Safety warning** : this fan should be installed so that the fan blades are at least or more than 2.1 metres above the floor.
2. Install the mounting plate on the wall by using three screws as provided (see FIG, B,)
3. Hang the fan onto the mounting plate.
4. Plug into the mains

PARTS DIAGRAM - FIG. B

