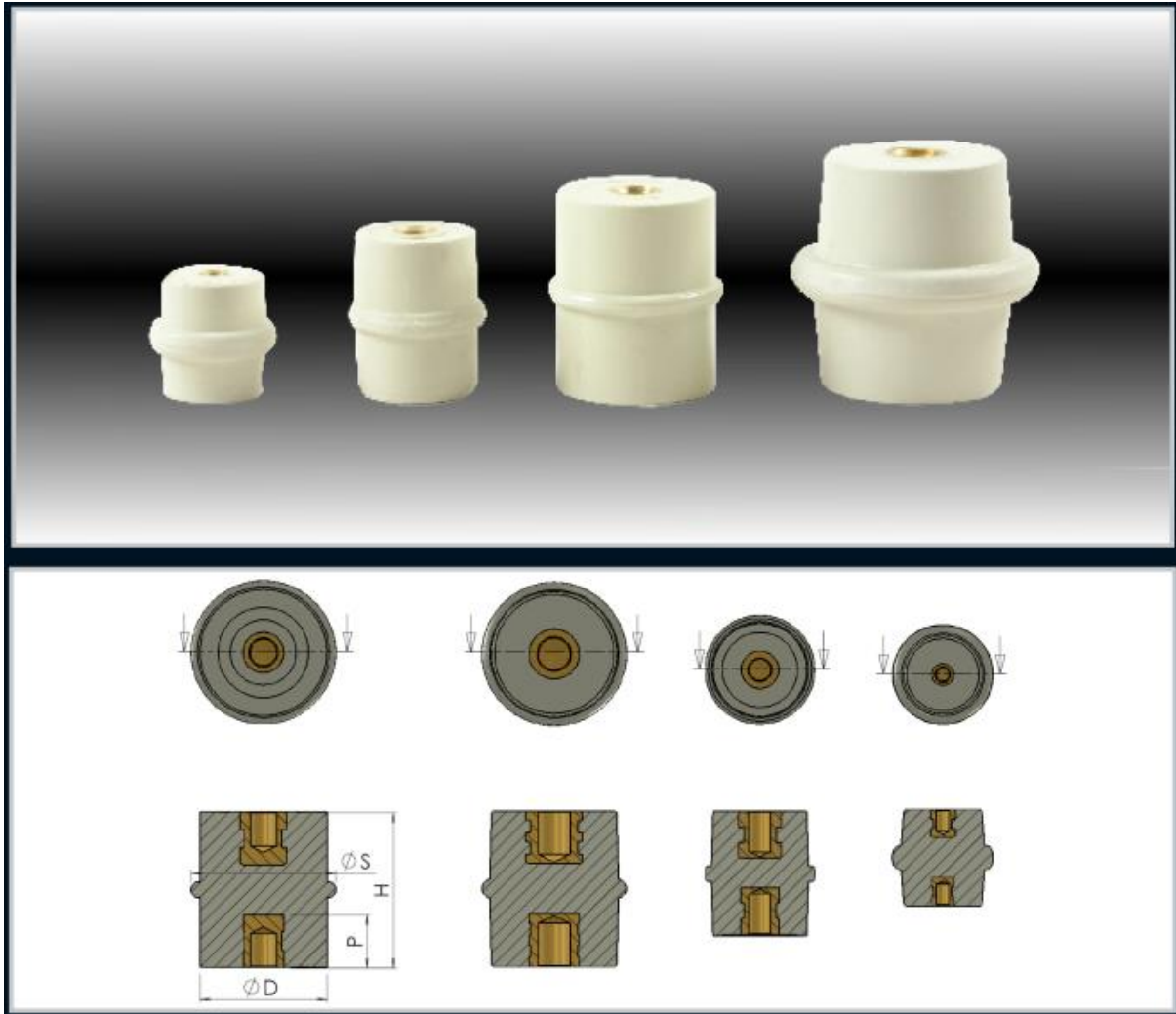


# Product SPECIFICATION SHEET

## D.M.C. INSULATORS



PART NUMBER	Supplier ID	TYPE	THREAD SIZE	REC. TORQUE (Nm.)	INSERT	HEIGHT (mm)	DEPTH (mm)	Shed Diameter D (mm)	Stud Length L (mm)	Insert Depth P (mm)
DE12-FF-W	050-192	CP-12/W	1.75	12	M12	60	45	60	-	16
DD16-FF-W	050-193	CP-16/W	2	16	M16	60	45	60	-	20

### BRANCH CONTACT DETAILS

Johannesburg 010 202 3300  
 Germiston 011 418 9600  
 Cape Town 021 510 0710  
 Pinetown 031 700 4215  
 Riverhorse 031 492 4800

### NATIONAL CALL CENTRE

Sales 010 202 3400  
 Technical 010 202 3500

[www.acdc.co.za](http://www.acdc.co.za)