

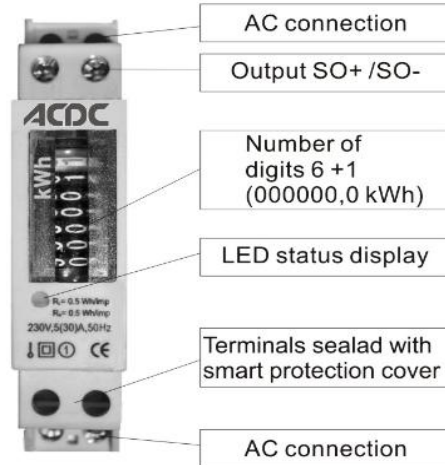
DDS223-30

MECHANICAL SINGLE PHASE KWH METER

DDS223-30

MECHANICAL SINGLE PHASE KWH METER

USER MANUAL 



Installation Guide

Single phase DIN-rail kWh meter:

230/120VAC, 5/30A, 50/60Hz (see meter)

Performance: corresponding to EN62052 and "CE"-requirements

Accuracy class: 1

Mounting : on a DIN-rail corresponding to DIN EN50022,

1TE: 18 mm (DIN 43880)

Interface: optical coupler (SO corresponding to DIN 43864)

Impulse valence Ra=0,5 or 1,0 Wh/imp (see meter)

3 colour LED

Green: Consumption less than 4W or no load

Salmon/pink: Consumption > 4W, flashing rate=consumption

Flashing Red: Connected run

Display: 6 + 1 digits=999999, 1kWh

Power consumption: < 2VA

Voltage operating range: 184-265VAC

Current operating range: 0,02~25A

Starting current at Cos-Phi=1: typical 15mA

Frequency range: 50Hz or 60Hz \pm 10%

Registered harmonics: up to 7kHz

Temperature range: -20°C to +65°C

Relative air humidity maximum:

average value of year: 75%, short time value: 95%

Verified version: 230/120V \pm 10%, max 30A, 50/60Hz(see meter)

For monitoring purpose only

For intern measurements: electrical operational/limiting values are valid

Power supply:

- Corresponding with mode of connection 1000 of DIN 43856 (see meter)

- Phase supply lead "L" to terminal 1

- Neutral supply lead "N" to terminal 4

- Phase consumption lead "L" to terminal 3

- Neutral consumption lead "N" to terminal 6

- Fuses & wiring

- for fuse 10A, tripping characteristic B; minimum wire thickness 1,5mm²

- for fuse 16A, tripping characteristic B; minimum wire thickness 2,5mm²

Passive impulse contact:

-corresponding to "SO" conditions of DIN 43864:

18~27V: max 27mA: max length of lead: 20m

impulse length > 30ms, connection to terminal SO+ & SO-

-Limits of values: max 60VDC: max 30mA

diode against wrong connection is integrated (parallel)

Attention: Case is sealed, do not open the meter!

No warranty if case is opened or warranty seal is removed.

BRANCH CONTACT DETAILS

Johannesburg	010 202 3300
Germiston	011 418 9600
Cape Town	021 510 0710
Pinetown	031 700 4215
Riverhorse	031 492 4800

NATIONAL CALL CENTRE

Sales	010 202 3400
Technical	010 202 3500

www.acdc.co.za