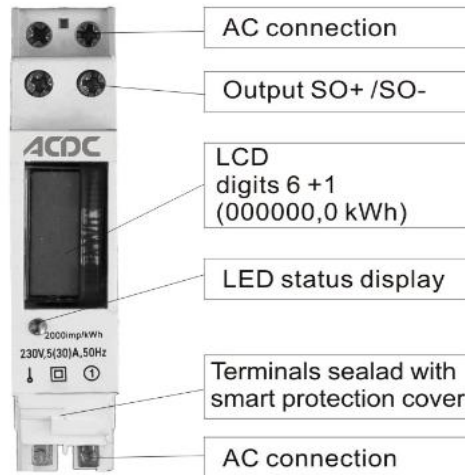


Product SPECIFICATION SHEET

DDSF223-30

DIGITAL SINGLE PHASE KWH METER



Single phase DIN-rail kWh meter:

230/120VAC, 5/30A, 50/60Hz (see meter)

Performance: corresponding to EN62052 and "CE"-requirements

Accuracy class: 1

Mounting : on a DIN-rail corresponding to DIN EN50022,
1TE: 18 mm (DIN 43880)

Interface: optical coupler (SO corresponding to DIN 43864)

Impulse valence Ra=0,5 or 1,0 Wh/imp (see meter)

3 colour LED

Green: Consumption less than 4W or no load

Salmon/pink: Consumption > 4W, flashing rate=consumption

Flashing Red: Connected run

Display: LCD 6 + 1 digits=999999, 1kWh

Power consumption: < 2VA

Voltage operating range: 184-265VAC

Current operating range: 0,02~25A

Starting current at Cos-Phi=1: typical 15mA

Frequency range: 50Hz or 60Hz \pm 10%

Registered harmonics: up to 7kHz

Temperature range: -20°C to +65°C

Relative air humidity maximum:

average value of year: 75%, short time value: 95%

Verficated version: 230/120V \pm 10%, max 30A, 50/60Hz(see meter)

For monitoring purpose only

For intern measurements: electrical operational/limiting values are valid

Power supply:

- Corresponding with mode of connection 1000 of DIN 43856 (see meter)

- Phase supply lead "L" to terminal 1

- Neutral supply lead "N" to terminal 4

- Phase consumption lead "L" to terminal 3

- Neutral consumption lead "N" to terminal 6

- Fuses & wiring

- for fuse 10A, tripping characteristic B; minimum wire thickness 1,5mm²

- for fuse 16A, tripping characteristic B; minimum wire thickness 2,5mm²

Passive impulse contact:

-corresponding to "SO" conditions of DIN 43864:

18~27V: max 27mA: max length of lead: 20m

impulse length > 30ms, connection to terminal SO+ & SO-

-Limits of values: max 60VDC: max 30mA

diode against wrong connection is integrated (parallel)

Attention: Case is sealed, do not open the meter!

No warranty if case is opened or warranty seal is removed.

BRANCH CONTACT DETAILS

| | |
|--------------|--------------|
| Johannesburg | 010 202 3300 |
| Germiston | 011 418 9600 |
| Cape Town | 021 510 0710 |
| Pinetown | 031 700 4215 |
| Riverhorse | 031 492 4800 |

NATIONAL CALL CENTRE

| | |
|-----------|--------------|
| Sales | 010 202 3400 |
| Technical | 010 202 3500 |

www.acdc.co.za