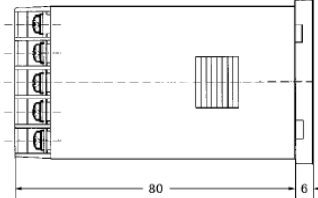
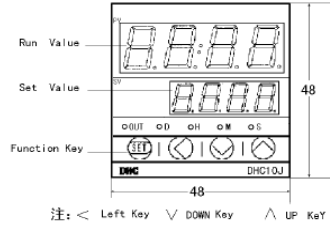


DHC10J



注: < Left Key    ∨ DOWN Key    ∧ UP Key

<b>DHC10J</b>	<b>DIGITAL COUNTER/TIMER</b>	<b>DHC10J</b>
---------------	------------------------------	---------------

■ Specifications

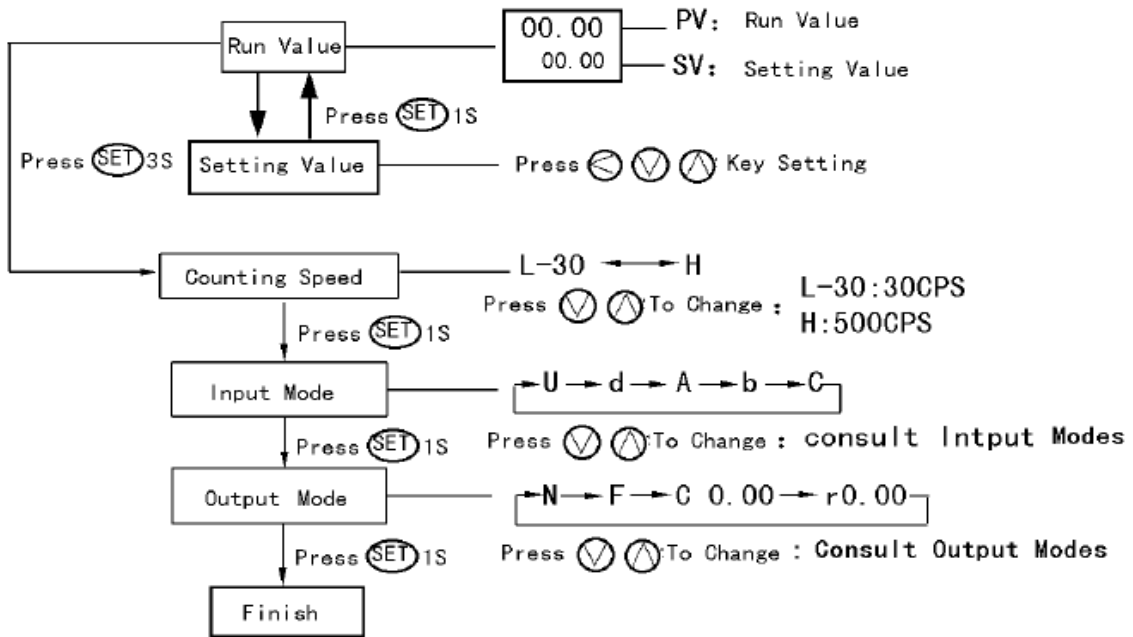
Power supply	AC/DC100~240V	Memory backup :	≥ 10 years
Contacts output	3A AC250V (COSφ=1)	Panel cutout:	45×45mm
Mechanically life:	≥10 <sup>7</sup>	Weight:	ABT0.12Kg
Reset:	MIN. pulse width for external reset;1~20ms, Manual reset, power reset: 2s	Temperature:	-5~+40℃
		Humidity:	35~85%RH
External power supply:	DC12V 50mA(max)		

TIMER SPECIFICATIONS		COUNTER SPECIFICATIONS	
Timer rang :	0.01S~99h59m	Count rang:	0~9999
Error:	≤ 0.01%+0.s	Counting speed:	16.7mS (30cps)
Reset by power off:	1s		1mS (500cps)
MODE	A3 MODE	Input signal:	No voltage input: 4.7KΩ MAX
	E3 MODE		Volt INPUT: L=0~2V
			H=4~30V

■ Counter/Timer Functions

Switch	ON	OFF
K1	TIMER E3 MODE, PHOTO(1)	TIMER A3 MODE, PHOTO(2)
K2	Counter	Timer

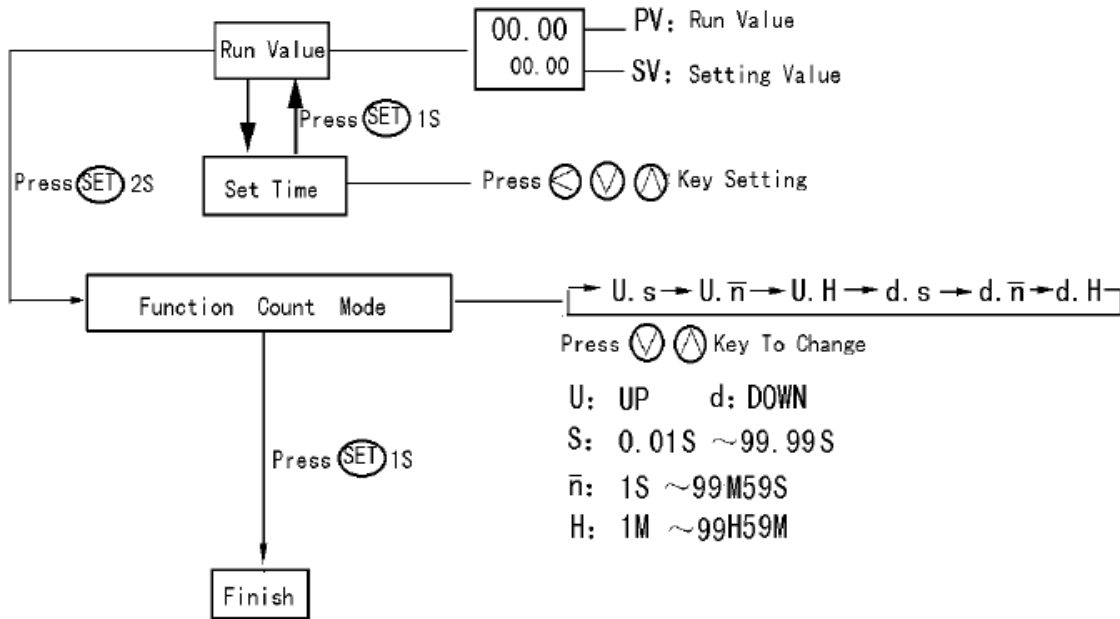
■ Counter setting (K2 ON)



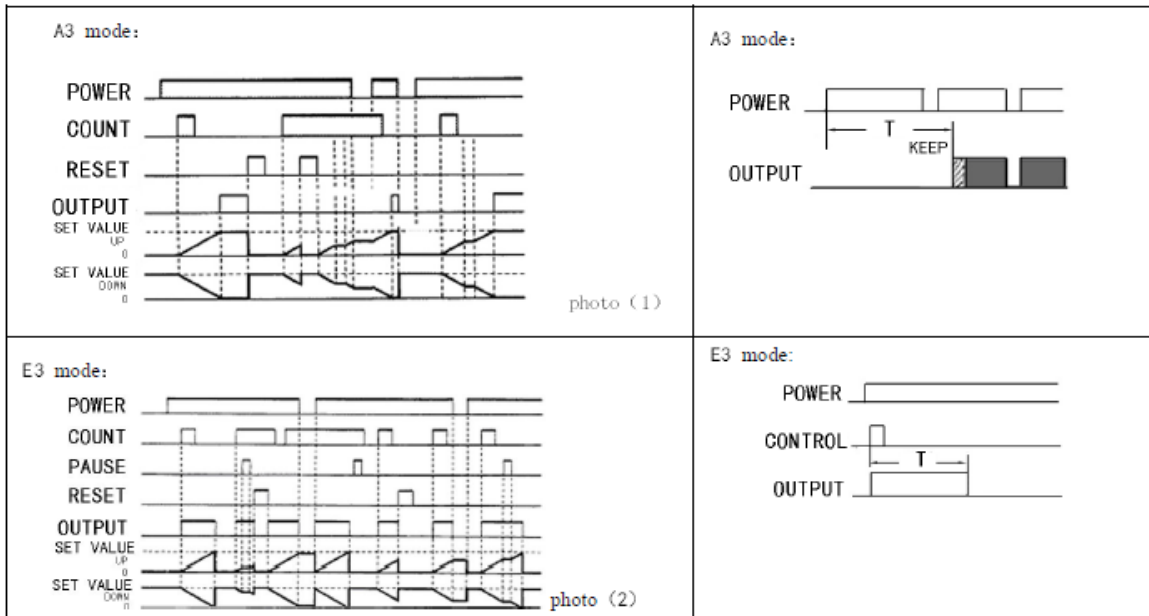
■ Count output mode

<p><b>N MODE:</b> Outputs and present value display are maintained until reset.</p>	<p><b>F MODE:</b> Present value display runs continuously. Outputs are maintained until reset.</p>
<p><b>C MODE:</b> Present value is placed in reset status as soon as count up is reached. The count up is not displayed. Outputs are 1-shot and operate repeatedly.</p>	<p><b>R MODE:</b> Present value is placed in reset status as soon as count up is reached. Outputs are 1-shot and operate repeatedly.</p>

■ Timer setting (K2 OFF)



■ Timer operation modes



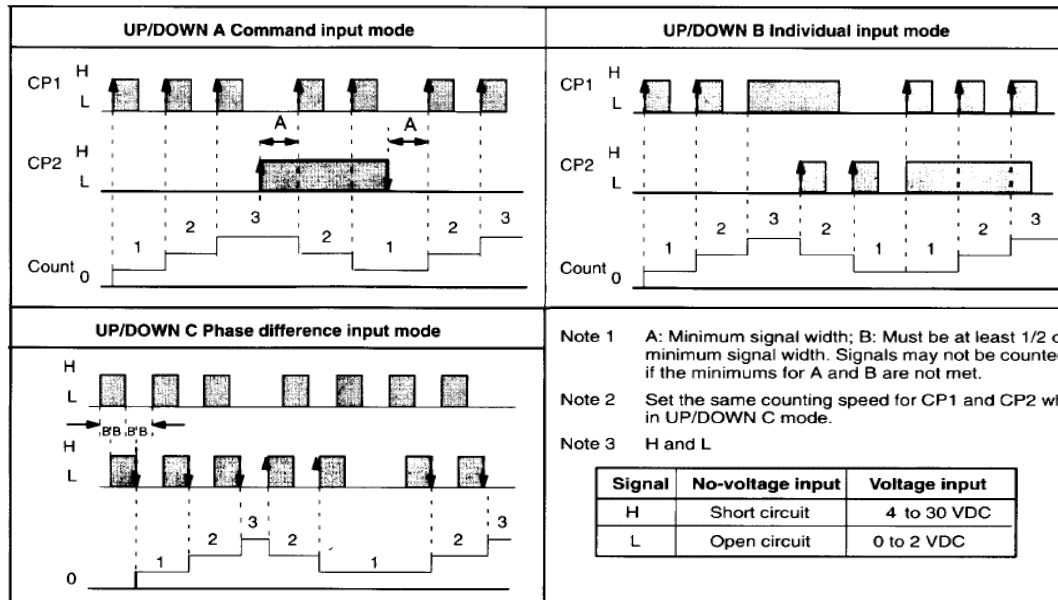
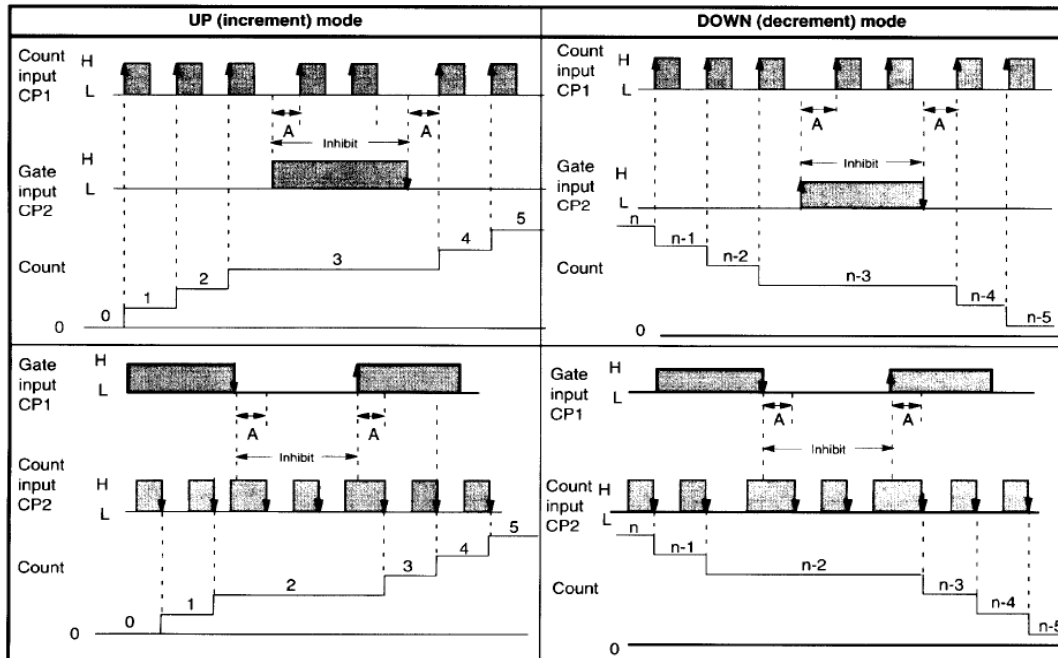
# Product SPECIFICATION SHEET

RHOMBERG

**ACDC**  
DYNAMICS  
www.acdc.co.za

DHC10J

## Input Modes and Count Value



### BRANCH CONTACT DETAILS

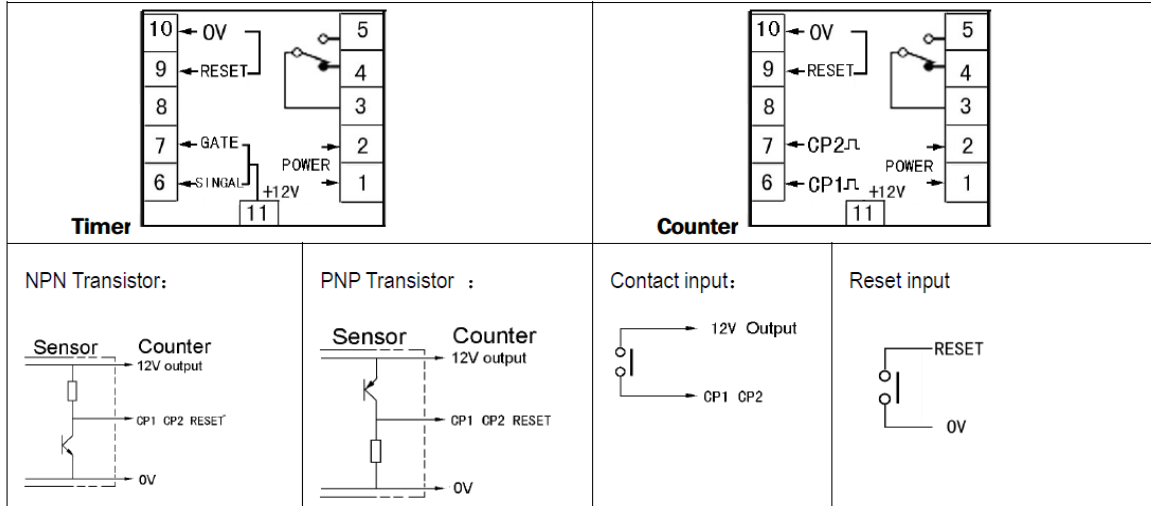
Johannesburg 010 202 3300  
Germiston 011 418 9600  
Cape Town 021 510 0710  
Pinetown 031 700 4215  
Riverhorse 031 492 4800

### NATIONAL CALL CENTRE

Sales 010 202 3400  
Technical 010 202 3500

www.acdc.co.za

**DHC10J**



**BRANCH CONTACT DETAILS**

Johannesburg 010 202 3300  
 Germiston 011 418 9600  
 Cape Town 021 510 0710  
 Pinetown 031 700 4215  
 Riverhorse 031 492 4800

**NATIONAL CALL CENTRE**

Sales 010 202 3400  
 Technical 010 202 3500  
**www.acdc.co.za**