

Product SPECIFICATION SHEET



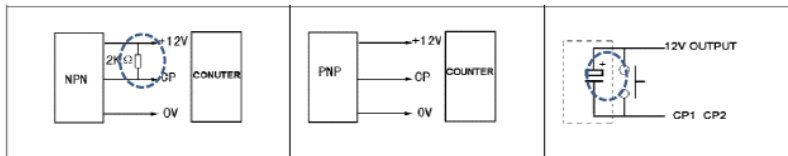
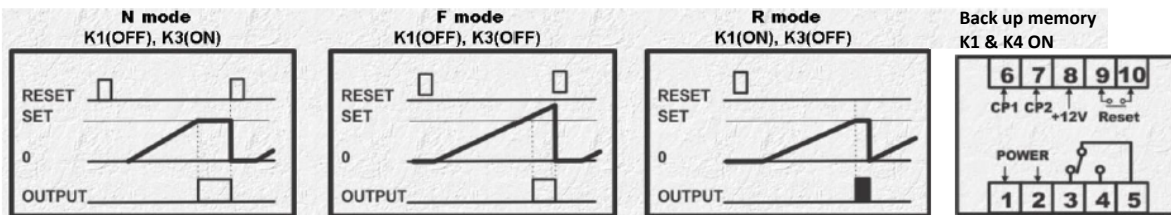
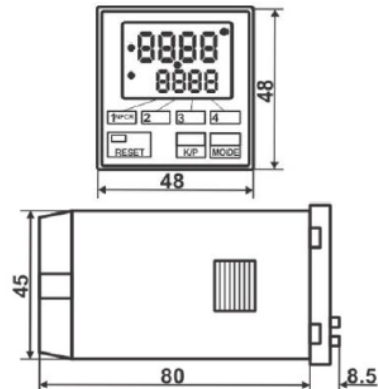
FEATURES

- > Solid state counter
- > Maximum speed count 1000cps
- > EEPROM backup
- > Count preset thumb wheel adjustment
- > LED power indication
- > Reset Manual or Automatic (automatic is time adjustable)
- > 12VDC/30mA output for external components
- > High / Low speed count selection
- > DIN size 48 x 48 x 98mm
- > Panel cut-out size 45 x 45mm

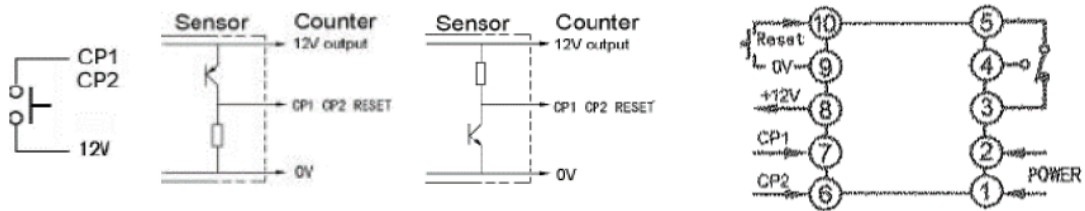
SPECIFICATION

Supply	230VAC / 50Hz	
Supply Tolerance	85 - 110%	
Min Pulse Width	Low Speed	≥ 20ms (30cps)
	High Speed	≥ 0.5ms (1000cps)
Count range	0 - 9999	
Input Type	Contact	Closing or Opening
	Digital	L = 0 - 2V, H = 4 - 30V
Input impedance	≥ 4.7KΩ	
Power consumption	≤ 3VA	
Output relay	1 x C/O 250VAC/3A	
DC external output	12VDC/30mA	
Working Temperature	-10°C - 50°C	
Battery back-up life	± 10Yrs	
Display	4 Digit (7.6mm high)	

DIMENSIONS



Note: Connect 2kΩ resistor for NPN sensor. NOTE Connect 2KΩ resistor for PNP sensor Connect 4.7µF capacitor for Contact type connection Connect 4.7µF capacitor for contact type connection



BRANCH CONTACT DETAILS

Johannesburg 010 202 3300
Germiston 011 418 9600
Cape Town 021 510 0710
Pinetown 031 700 4215
Riverhorse 031 492 4800

NATIONAL CALL CENTRE

Sales 010 202 3400
Technical 010 202 3500
www.acdc.co.za