

Sirenco DUPLO

SHORT RANGE SIREN **CE**  

A robust cast aluminium siren with a epoxy based coating finish, suitable for outdoor. The siren has a continues rated motor with thermal protection and comes with 2 x M20 glands to ensures safe and easy installation. The Sirenco Duplo siren originated from the old Banshee Duplo within the Banshee range of sirens and has been on the market since 1985.

A reliable siren with a 2-year guarantee*

Typical applications:

Outdoor & Indoor signalling applications where a durable siren is required, open air plants or factories, pre-start up warning in automated plants and on conveyor belts, Fire alarm or evacuation for buildings and fire/evacuation alarm for buildings and as a school bell.



SPECIFICATIONS

VOLTAGE	110VAC/DC 220VAC/DC
DUTY CYCLE	Continuous Rated
SOUND OUTPUT	127dB(A) at 1m
SOUND FREQUENCY	1600Hz
APP. RANGE	1 500m in still air on open field
MOTOR	215W @ 8000rpm
CURRENT CONSUMPTION	110V - 1.0A 220V - 0.7A
IP RATING	IP 65
WEIGHT	2.9kg
PACKING DIMENSIONS	150mm x 150mm x 242mm

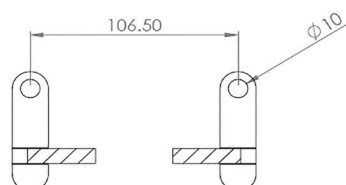
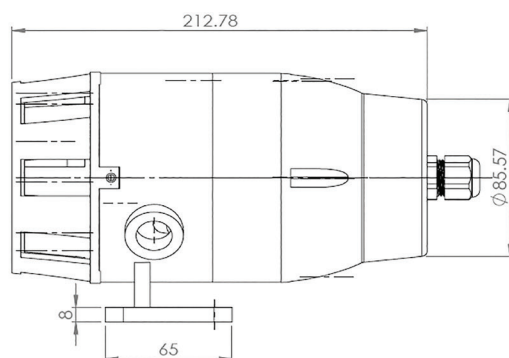
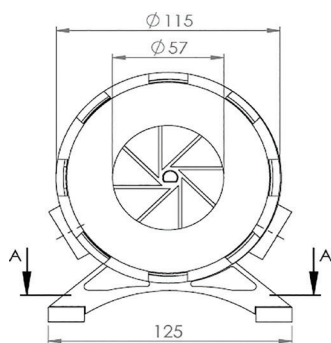
NOTES | Also available in Yellow (Sirenco Duplo M)

PRODUCT CODES

Code		BMDS110	BMDS220		BMDM110	BMDM220	
Detail	RED	110Vac/dc	220Vac/dc	YELLOW	110Vac/dc	220Vac/dc	

TECHNICAL DRAWINGS

All dimensions in mm



OPTIONAL EXTRAS

Finger Guard



School & Factory Timer

