

Sirenco DUPLO Combo

COMBINATION UNITS **CE**   

Combining audible and visual signalling, this combination unit has all the features of the Mono siren with the reliability of the LED beacon. The beacon can operate in conjunction with the siren or the separately depending on how it is installed

Comes with a 2-year guarantee*

Typical applications:

In areas where a beacon is required in addition to the siren, when the siren is required to alert the users and once identified, the siren can be switched off, but the beacon will on, in areas where some employees use hearing protection.



SPECIFICATIONS

VOLTAGE	110VAC 220VAC
DUTY CYCLE	Continuous Rated
SOUND OUTPUT	127dB(A) at 1m
SOUND FREQUENCY	950 - 1200Hz
APP. RANGE	1500m in still air on open field
CURRENT CONSUMPTION	110VAC - 1.6A 220VAC - 0.9A
LIGHT SOURCE	9W LED - 40 SMD 360 °
IP RATING	IP 65
WEIGHT	3kg
PACKING DIMENSIONS	150mm x 150mm x 390mm

NOTES | Available with a Amber, Red, Green or Blue LED light

PRODUCT CODES

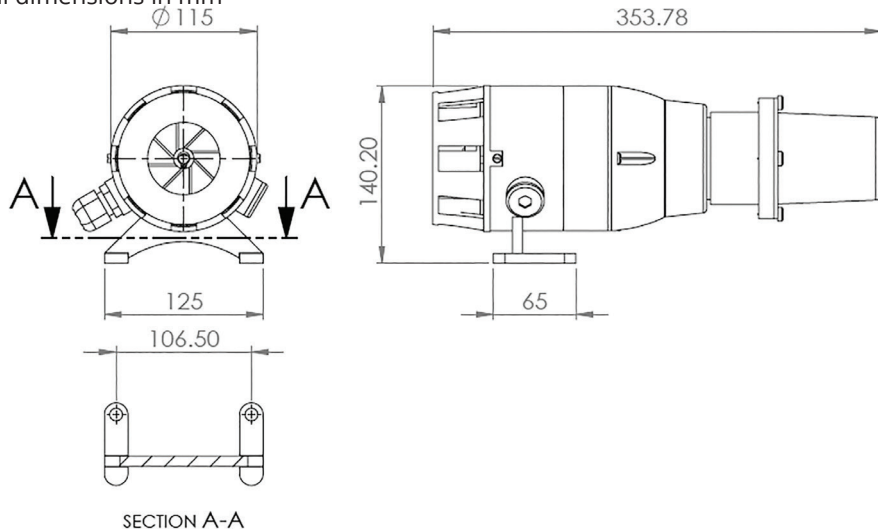
Code BDSL(x*)04 BDSL(x*)05

Detail 110V 220V

* x = A for Amber / B for Blue / G for Green / R for Red

TECHNICAL DRAWINGS

All dimensions in mm



OPTIONAL EXTRAS

Finger Guard



School & Factory Timer

