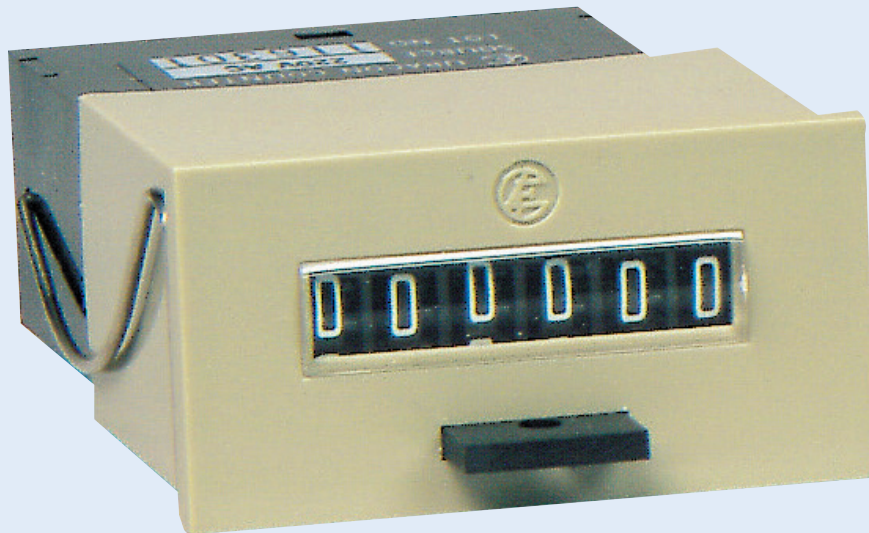


COUNTERS

SPECIFICATION SHEET

E-16Y

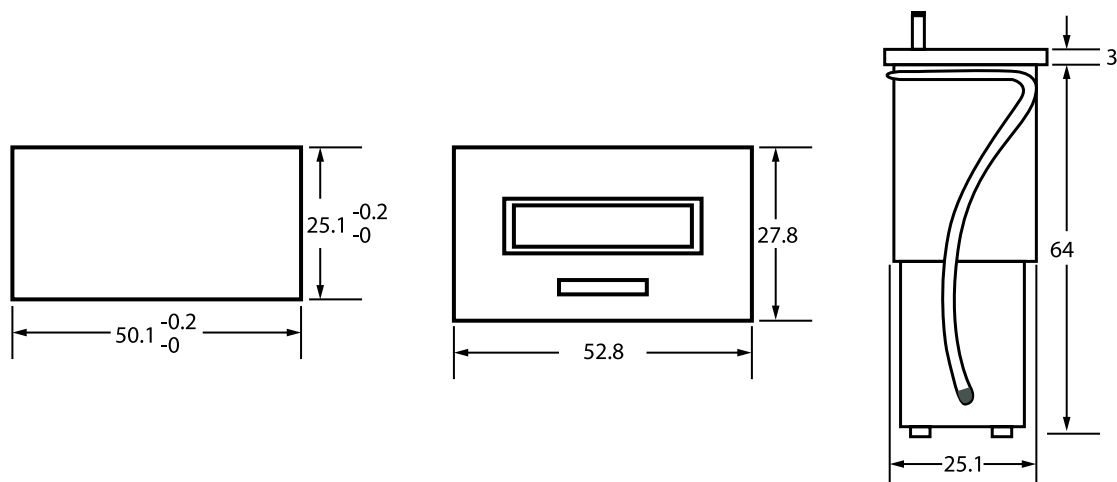


COUNTER WITH RESET

Technical Specifications

Voltage	115VAC, 230VAC, 12VDC, 24VDC
Tolerance Rated Voltage	-15% ~ +10%
Consumption	3VA / 3.5W
Counting Speed	10CPS
Life	20,000,000 Times
Test	AC-1, 500V (50/60Hz) 1 minute (Dielectric)

Dimensions



BRANCH CONTACT DETAILS

Johannesburg:	010 202 3300
Cape Town:	021 510 0710
Pinetown:	031 700 4215
Germiston:	011 418 9600
Riverhorse:	031 492 4800



<http://www.acdc.co.za>

NATIONAL CALL CENTRE

Sales	010 202 3400
Technical	010 202 3500

www.acdc.co.za