



Product SPECIFICATION SHEET



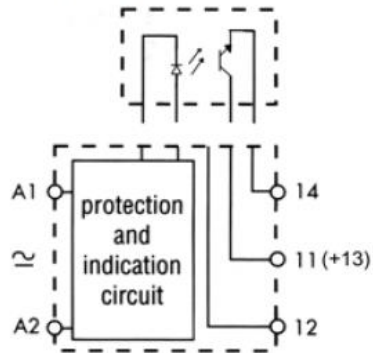
ECLR & EZD Relay Interface Modules



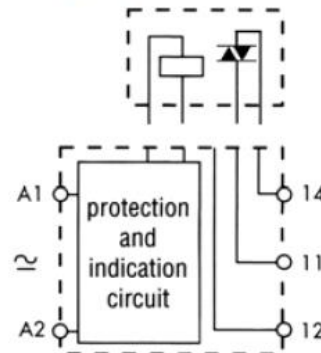
- * Relay input signaling led
- * Drawbar for din bar
- * 2 A-24 VDC, 6 A 24 VDC, 100 mA 48 VDC and 2 A-240 VAC output
- * 20 Pole comb for in parallel interface connection
- * Interface breadth 6,2 mm
- * Protection degree IP20
- * Operating temperature -20 +55 °C

Code	Input Voltage	Output Current	Output Voltage	Terminal
ECLR-24AD-5RS824	6VDC (5 - 12V)	6A DC	0-33VDC	Screw
ECLR-24AD-RS824	24VDC (17 - 30V)	6A DC	0-33VDC	Screw
EZD-240AD-RS824	240VAC/DC (184 - 264V)	6A DC	0-33VDC	Screw
ECLR-24AD-5RS2240	6VDC (5 - 12V)	2A AC	12-275VAC	Screw
ECLR-24AD-RS2240	24VDC (17 - 30V)	2A AC	12-275VAC	Screw
EZD-240AD-RS2240	240VAC/DC (184 - 264V)	2A AC	12-275VAC	Screw

Wiring diagram DC models



Wiring diagram AC models



BRANCH CONTACT DETAILS
 Johannesburg 010 202 3300
 Germiston 011 418 9600
 Cape Town 021 510 0710
 Pinetown 031 700 4215
 Riverhorse 031 492 4800

NATIONAL CALL CENTRE
 Sales 010 202 3400
 Technical 010 202 3500
www.acdc.co.za