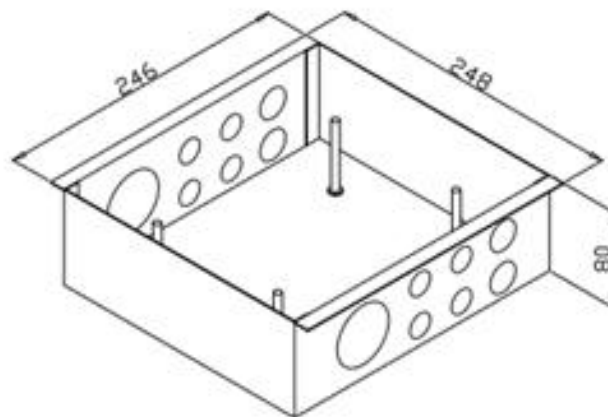
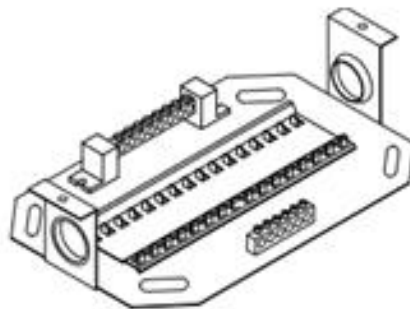
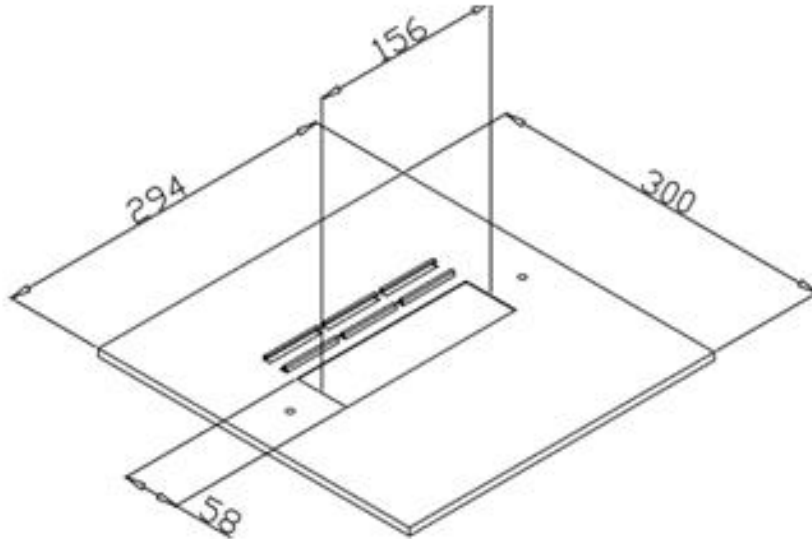


# Product SPECIFICATION SHEET

## 12-WAY WHITE STEEL FLUSH 13mm MCB DB NO DOOR IP42



### BRANCH CONTACT DETAILS

Johannesburg	010 202 3300
Germiston	011 418 9600
Cape Town	021 510 0710
Pinetown	031 700 4215
Riverhorse	031 492 4800

### NATIONAL CALL CENTRE

Sales 010 202 3400  
Technical 010 202 3500

[www.acdc.co.za](http://www.acdc.co.za)