

# Product SPECIFICATION SHEET



## Ferco B2 Series



2 Stage Centrifugal pump

**Application**

Clean water and liquids without particulate matter and aggressive chemicals, for filling tanks, water transfer, booster pump for homes with hydropneumatic systems with On/Off pressure control for automatic operation. Suitable for Industrial, agricultural and domestic operation.

**Materials**

Pump body and motor bracket:	Cast Iron
Impeller (x2):	Brass
Mechanical Seal:	Ceramic & Graphite
Motor Shaft:	Stainless Steel

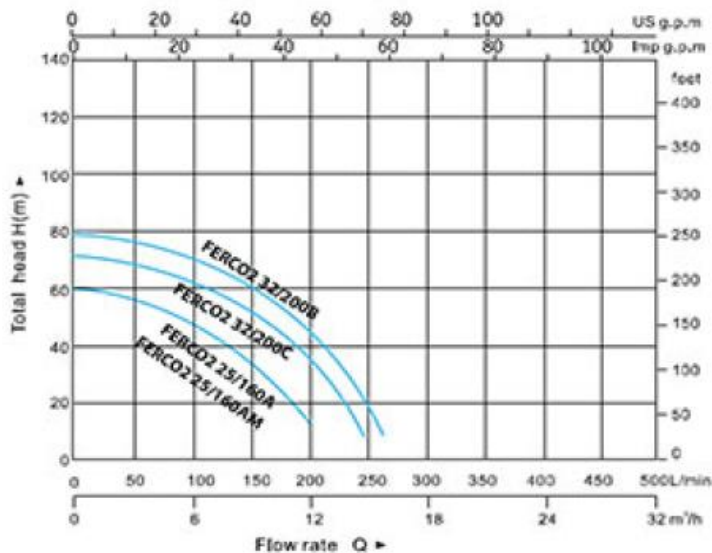
**Motor**

Asynchronous 2 Pole induction motor with capacitor

Insulation: Class B

Protection: IPX4

Single phase with capacitor and built-in thermal protection  
Continuous Rated



Code	Voltage	Power		Amps	Max Head (m)	Max Flow (l/min)	In / Out (Inch)
		KW	HP				
FERCO2 25/160AM	230VAC	2,2	3	8,1	60	200	1¼ x 1
FERCO2 25/160A	400VAC	2,2	3	4,7	60	200	1¼ x 1
FERCO2 32/200C	400VAC	3	4	6,1	70	250	1½ x 1¼
FERCO2 32/200B	400VAC	4	5	9,7	80	275	2 x 1¼

**BRANCH CONTACT DETAILS**  
 Johannesburg 010 202 3300  
 Germiston 011 418 9600  
 Cape Town 021 510 0710  
 Pinetown 031 700 4215  
 Riverhorse 031 492 4800

**NATIONAL CALL CENTRE**

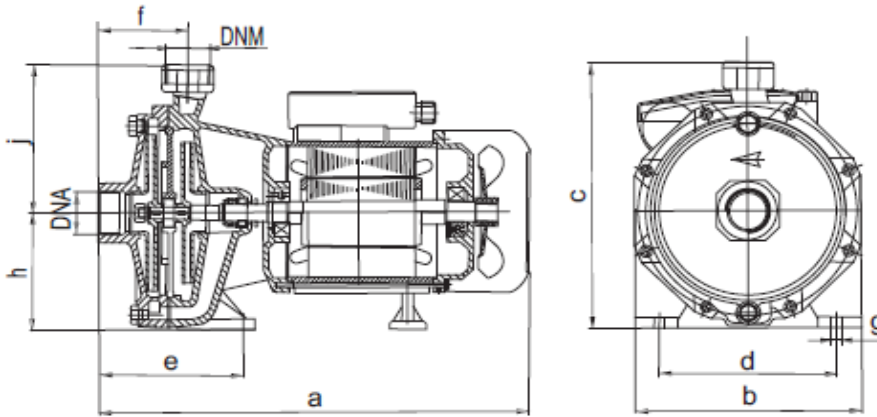
Sales 010 202 3400  
 Technical 010 202 3500

[www.acdc.co.za](http://www.acdc.co.za)

# Product SPECIFICATION SHEET



## Ferco B2 Series



Model	DIMENSIONS (mm)										
	DNA	DNM	a	b	c	d	e	f	h	j	g
25/160	1.25"	1"	400	210	260	165	140	86	115	145	10
32/200C	1.5"	1.25"	465	270	320	210	160	96	130	190	10
32/200B	1.5"	1.25"	465	270	320	210	160	96	130	190	10

### BRANCH CONTACT DETAILS

Johannesburg 010 202 3300  
 Germiston 011 418 9600  
 Cape Town 021 510 0710  
 Pinetown 031 700 4215  
 Riverhorse 031 492 4800

### NATIONAL CALL CENTRE

Sales 010 202 3400  
 Technical 010 202 3500

[www.acdc.co.za](http://www.acdc.co.za)