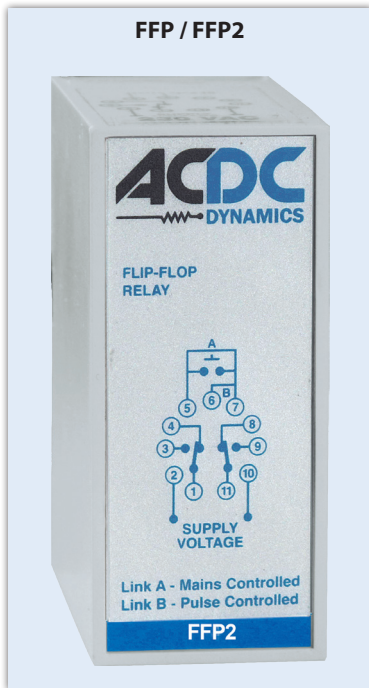


FLIP FLOP MAINS CONTROLLED II-PIN PLUG-IN MODULES



OVERVIEW

This module will give you many years of service and is guaranteed for 12 months against faulty workmanship and materials. In addition a full repair service is available through ACDC Dynamics branch.

INSTALLATION

This module should be installed by a competent electrician in accordance with the relevant diagram. Read these instructions carefully to ensure that the functions / settings / control voltage are correct prior to switch on.

OPERATION (Not available in 12VDC)

Change on Removal of Power

The relay is initially in any state (On or Off). On application of supply the relay retains this state. Remove supply and the relay will change state and maintain this state even without the supply. Reconnect and remove the supply for the next state change.

Change on Application of Power (Link A - 5&7)

The relay is initially in any state (On or Off). On application of supply the relay changes state. Remove supply and the relay maintains this state. Reconnect the supply for the next state change.

Pulse Control (Link B - 6 & 7 N/O Switch)

The relay is initially in any state (On or Off). On application of supply the relay retains this state. On closure (pulse) of switch across 6 & 7 the relay will change state. Remove supply and the relay maintains this state. Pulse switch across 6 & 7 for next state change.

FEATURES

- **FFP1** SPDT 10A / 250VAC relay
- **FFP2** DPDT 5A /250VAC relay
- Response time 0.2s

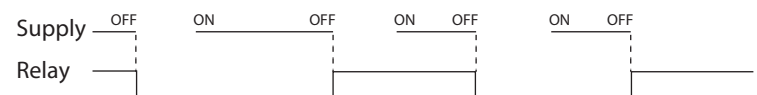
Specifications

Ambient Temperature	-20°C to 70°C
Power Consumption AC	1.5VA
Power Consumption DC	100mA @ 12VDC
SPDT Relay	10A / 250VAC
Isolation Test Voltage	2kV

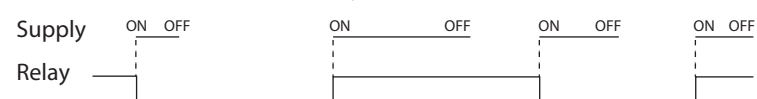
Supply Voltages Available

AC Supply	Galvanic isolation input transformer 12, 24, 48, 115, 230, 400, 525VAC ±15%
DC Supply	24, 48VDC

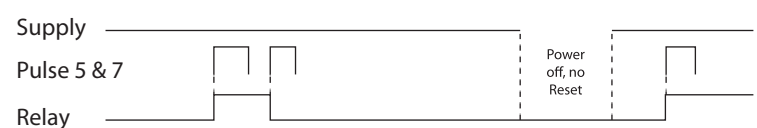
Change on Removal of Supply



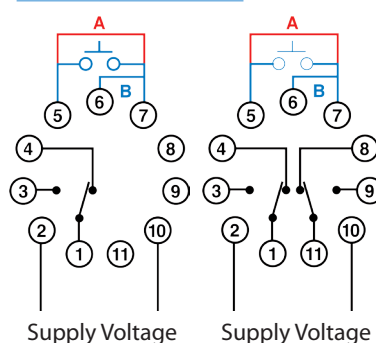
Change on Application of Supply



Pulse Control



Connection Diagram



BRANCH CONTACT DETAILS

Johannesburg:	010 202 3300
Cape Town:	021 510 0710
Pinetown:	031 700 4215
Germiston:	011 418 9600
Riverhorse:	031 492 4800

NATIONAL CALL CENTRE

Sales	010 202 3400
Technical	010 202 3500

www.acdc.co.za