

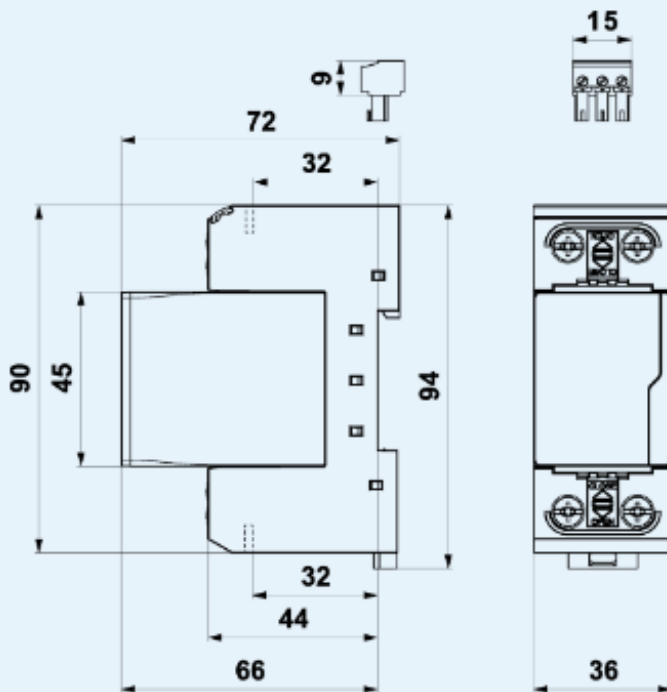
Product SPECIFICATION SHEET

N/PE 255V 50kA 10/350 CLASS 1 LIGHTNING ARRESTER

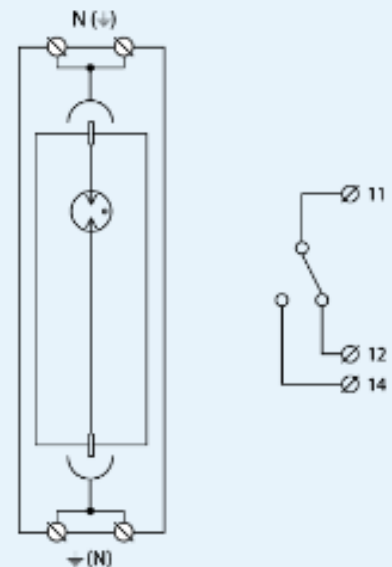
FLP-A50N VS



Product dimensions



Basic circuit diagram



BRANCH CONTACT DETAILS

Johannesburg 010 202 3300
Germiston 011 418 9600
Cape Town 021 510 0710
Pinetown 031 700 4215
Riverhorse 031 492 4800

NATIONAL CALL CENTRE

Sales 010 202 3400
Technical 010 202 3500

www.acdc.co.za

Product SPECIFICATION SHEET

SPD - for low voltage / SPD type 1 / N-PE

Lightning current arrester between N and PE (for connection 1+1) for TT system
spark gap for N-PE, pluggable module, module locking

- for connection Type 1 SPD in 1+1 mode
- installation at the boundary of zones LPZ 0 and LPZ 1 or higher, mainly to main distribution boards
- for protection against impact of direct or indirect lightning strikes

Parameter name	Parameter value
Type of SPD	T1
Mounting	DIN rail 35 mm
Maximum operating voltage U_c	255.00 V AC
Nominal load current for "V" connection I_L	125 A
Type of network	TT
Residual current I_{PE}	0.000 mA
Nominal discharge current (8/20 μ s) I_n	50.00 kA
Maximum discharge current (8/20 μ s) I_{max}	100.00 kA
Voltage protection level U_p	1.50 kV
Ability to independently switch off the following current I_{fi}	0.1 kA
Response time t_a	100 ns
TOV 200 ms N-PE	1 200 V
TOV characteristic (TOV 200 ms)	withstand

BRANCH CONTACT DETAILS

Johannesburg	010 202 3300
Germiston	011 418 9600
Cape Town	021 510 0710
Pinetown	031 700 4215
Riverhorse	031 492 4800

NATIONAL CALL CENTRE

Sales 010 202 3400
Technical 010 202 3500

www.acdc.co.za

Product SPECIFICATION SHEET

Cross-section of connected conductors solid (min)	2.50 mm ²
Cross-section of connected conductors solid (max)	50.00 mm ²
Cross-section of connected conductors stranded (min)	2.50 mm ²
Cross-section of connected conductors stranded (max)	35.00 mm ²
Cross-section of remote indication conductors solid (max)	1.5 mm ²
Cross-section of remote indication conductors stranded (max)	1.5 mm ²
Fault indication	remote signalling of N-PE module shows the presence of the replaceable module
Remote indication	potential-free change-over contact
Remote indication contacts	250V/0,5A AC,250V/0,1A DC
Degree of protection	IP 20
Range of ambient temperatures (min/max)	-40 / 80 °C
According to standard	EN 61643-11:2012, IEC 61643-11:2011
ETIM Class	EC000381
Plug module	FLP-A50N V/0
Customs tariff number	85363090
EAN	8595090535737
Order number	A03573

BRANCH CONTACT DETAILS

Johannesburg	010 202 3300
Germiston	011 418 9600
Cape Town	021 510 0710
Pinetown	031 700 4215
Riverhorse	031 492 4800

NATIONAL CALL CENTRE

Sales 010 202 3400
Technical 010 202 3500

www.acdc.co.za