

FLP-B+C MAXI VS_1

SPD type 1 and type 2 versatile single-pole arrester

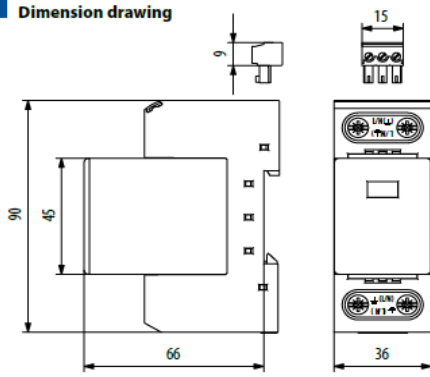
Surge protective devices (SPD) type 1 and type 2 (class B+C) serve for protection of low-voltage (230/400 V AC) networks and connected appliances against surge voltages due to direct or indirect lightning strikes in the concept of zone lightning protection at the boundary of the LPZ 0 and LPZ 1 (or higher) zones.

Replaceable module offers a combination of heavy duty gas discharge tube (GDT) rated at 25 kA (10/350 µsec pulse) with high energy varistors block. This proven technology guarantee no follow current, no leakage current and low residual voltage.

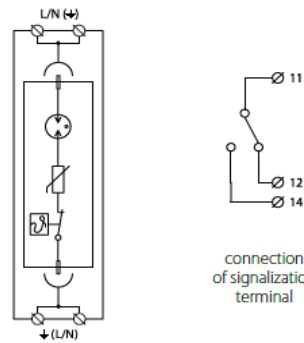
Remote status signalling contact – version „S“.



Dimension drawing



Basic circuit diagram



connection of signalization terminal

Nominal voltage	U_n	230 V AC
Maximum operating voltage	U_c	260 V AC
Nominal discharge current (8/20 µs)	I_n	30 kA
Maximum discharge current (8/20 µs)	I_{max}	60 kA
Lightning impulse current (10/350 µs)	I_{imp}	25 kA
Voltage protection level	U_p	1,5 kV
Response time	t_a	100 ns
Ability to independently switch off the following current	I_f	no following current
Short-circuit proof at maximum overcurrent protection		50 kA _{rms}
Maximum overcurrent protection		250 A gL/gG
Maximum overcurrent protection for serial connection		125 A gL/gG
Degree of protection		IP 20
Range of operating temperatures		- 40 °C ... + 80 °C
Mounting on		DIN rail 35 mm
Cross-section of connected conductors		
Solid min/max		ISO: 2,5/50 mm ² ; AWG : 13/1
Stranded min/max		ISO: 2,5/35 mm ² ; AWG: 13/2
Visual fault indication		red indication field
Remote indication		potential-free change-over contact
Remote indication contacts		250 V / 0,5 A AC, 250 V / 0,1 A DC
Cross-section of remote indication conductors		max. 1,5 mm ²
Meets the requirements of standard		IEC 61643-11 ed. 1.0 EN 61643-11:2012

BRANCH CONTACT DETAILS

Johannesburg	010 202 3300
Germiston	011 418 9600
Cape Town	021 510 0710
Pinetown	031 700 4215
Riverhorse	031 492 4800

NATIONAL CALL CENTRE

Sales	010 202 3400
Technical	010 202 3500
www.acdc.co.za	