

FLP-B+C MAXI VS 3+1

SPD type 1 and type 2

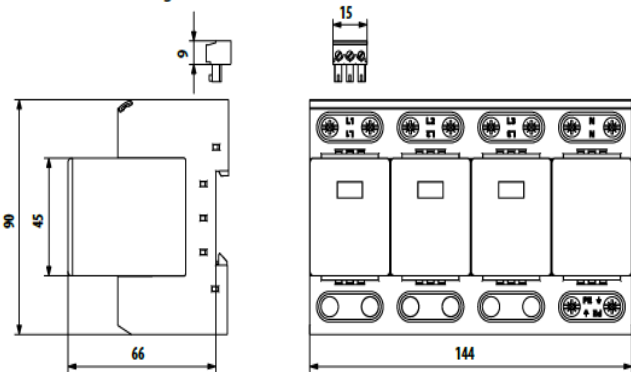
4-pole (3+NPE) arrester for 3-phase TT (TNS) networks
Total $I_{imp} = 100$ kA (10/350)

Surge protective devices (SPD) type 1 and type 2 (class B+C) serve for protection of low-voltage (230/400 V AC) networks and connected appliances against surge voltages due to direct or indirect lightning strikes in the concept of zone lightning protection at the boundary of the LPZ 0 and LPZ 1 (or higher) zones. Replaceable module offers a combination of heavy duty gas discharge tube (GDT) rated at 25 kA (10/350 μ sec pulse) with high energy varistors block. This proven technology guarantee no follow current, no leakage current and low residual voltage.

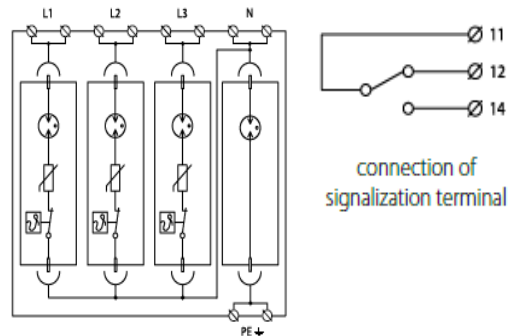
Remote status signalling contact – version „S“.



Dimension drawing



Basic circuit diagram



Technical data

		L-N	N-PE
Nominal voltage	U_n	230 V AC	—
Maximum operating voltage	U_c	260 V AC	255 V AC
Nominal discharge current (8/20 μ s)/pole	I_n	30 kA	100 kA
Maximum discharge current (8/20 μ s)	I_{max}	60 kA	100 kA
Lighting Impulse current (10/350 μ s)/pole	I_{imp}	25 kA	100 kA
Voltage protection level	U_p		1,5 kV
Voltage protection level (L - PE)	U_p		2,2 kV
Response time	t_a	100 ns	100 ns
Ability to independently switch off the following current	I_a	no following current	100 A
Short-circuit proof at maximum overcurrent protection		50 kA _{max}	—
Maximum overcurrent protection		250 A gL/gG	—
Maximum overcurrent protection for serial connection		125 A gL/gG	—
Degree of protection		IP 20	IP 20
Range of operating temperatures		- 40 °C ... + 80 °C	- 40 °C ... + 80 °C
Mounting on		DIN rail 35 mm	DIN rail 35 mm
Cross-section of connected conductors			
Solid min/max		ISO: 2,5/50 mm ² ; AWG: 13/1	ISO: 2,5/50 mm ² ; AWG: 13/1
Stranded min/max		ISO: 2,5/35 mm ² ; AWG: 13/2	ISO: 2,5/35 mm ² ; AWG: 13/2
Visual fault indication		red indication field	no
Remote Indication*			potential-free change-over contact
Remote Indication contacts			250 V / 0,5 A AC, 250 V / 0,1 A DC
Cross-section of remote Indication conductors			max. 1,5 mm ²
Meets the requirements of standard		IEC 61643-11 ed. 1.0 EN 61643-11:2012	IEC 61643-11 ed. 1.0 EN 61643-11:2012

BRANCH CONTACT DETAILS

Johannesburg 010 202 3300
Germiston 011 418 9600
Cape Town 021 510 0710
Pinetown 031 700 4215
Riverhorse 031 492 4800

NATIONAL CALL CENTRE

Sales 010 202 3400
Technical 010 202 3500
www.acdc.co.za