

**FLP-B+C MAXI VS\_4**

**SPD type 1 and type 2**

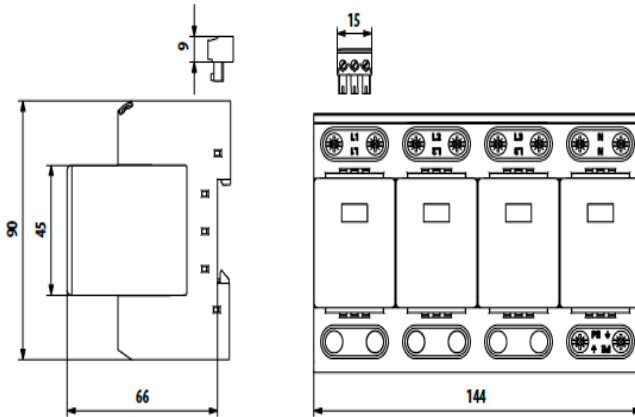
4-pole arrester for 3-phase TNS networks  
Total  $I_{imp} = 100$  kA (10/350)

Surge protective devices (SPD) type 1 and type 2 (class B+C) serve for protection of low-voltage (230/400 V AC) networks and connected appliances against surge voltages due to direct or indirect lightning strikes in the concept of zone lightning protection at the boundary of the LPZ 0 and LPZ 1 (or higher) zones. Replaceable module offers a combination of heavy duty gas discharge tube (GDT) rated at 25 kA (10/350  $\mu$ sec pulse) with high energy varistors block. This proven technology guarantee no follow current, no leakage current and low residual voltage.

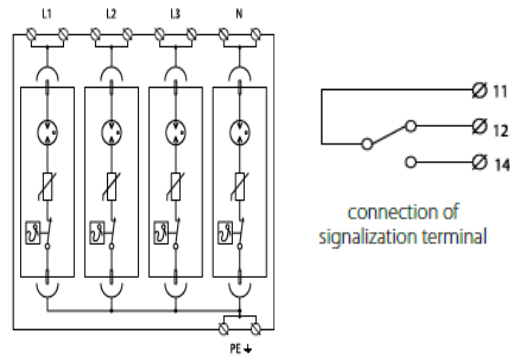
Remote status signalling contact – version „S“.



**Dimension drawing**



**Basic circuit diagram**



Nominal voltage	$U_n$	230 V AC
Maximum operating voltage	$U_c$	260 V AC
Nominal discharge current (8/20 $\mu$ s)/pole	$I_n$	30 kA
Maximum discharge current (8/20 $\mu$ s)/pole	$I_{max}$	60 kA
Lighting impulse current (10/350 $\mu$ s)/pole	$I_{imp}$	25 kA
Voltage protection level	$U_p$	1,5 kV
Response time	$t_a$	100 ns
Ability to independently switch off the following current	$I_f$	no following current
Short-circuit proof at maximum overcurrent protection		50 kA <sub>rms</sub>
Maximum overcurrent protection		250 A gL/gG
Maximum overcurrent protection for serial connection		125 A gL/gG
Degree of protection		IP 20
Range of operating temperatures		-40 °C ... +80 °C
Mounting on		DIN rail 35 mm
Cross-section of connected conductors		
Solid min/max		ISO: 2,5/50 mm <sup>2</sup> ; AWG: 13/1
Stranded min/max		ISO: 2,5/35 mm <sup>2</sup> ; AWG: 13/2
Visual fault indication		red indication field
Remote indication		potential-free change-over contact
Remote indication contacts		250 V / 0,5 A AC, 250 V / 0,1 A DC
Cross-section of remote indication conductors		max. 1,5 mm <sup>2</sup>
Meets the requirements of standard		IEC 61643-11 ed. 1.0 EN 61643-11:2012

**BRANCH CONTACT DETAILS**

Johannesburg 010 202 3300  
Germiston 011 418 9600  
Cape Town 021 510 0710  
Pinetown 031 700 4215  
Riverhorse 031 492 4800

**NATIONAL CALL CENTRE**

Sales 010 202 3400  
Technical 010 202 3500  
www.acdc.co.za