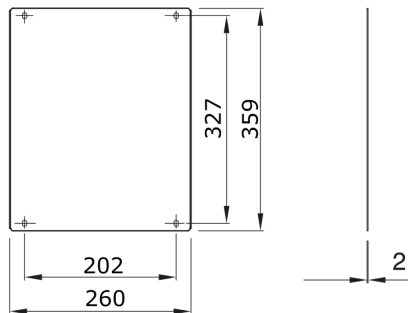




Accessories and complementary items for distribution and automation boards range 46.

For boards LxH (mm)	310x425	Suitable for	46QP - 46QM - 46QX
Type	Full	Type of material	Steel
Electrocod	0303		

DIMENSIONAL



TECHNICAL SYMBOLOGY STANDARDS/APPROVALS



GEWISS S.p.A. Via A. Volta, 1
24069 Cenate Sotto - Bergamo - Italy
tel. +39 035 94 61 11 fax +39 035 94 69 09

www.gewiss.com
sat@gewiss.com
Last update 06/02/2017

Data, measures, designs and pictures are shown
only as informativ purposes,
and could be changed without previous notice