

RESTART WITH AUTOTEST

Technical data

TYPE	ReStart with Autotest 2P	ReStart with Autotest PRO 2P	ReStart with Autotest PRO 4P
Electrical characteristics			
Standards:	EN 50557, EN 61008-1		
Distribution system:	TT - TN		
Rated operational voltage (Ue):	(V) 230 AC ⁽¹⁾		400 AC
Minimum operating voltage (min Ue):	(V)	85% Ue	
Maximum operating voltage (max Ue):	(V)	110% Ue	
Rated insulation voltage (Ui):	(V)	500	
Dielectric strength test voltage between pole and earth:	(V)	2500 AC for 1 minute	
Rated impulse withstand voltage (Uimp):	(kV)	4	
Overvoltage category:		III	
Rated frequency:	(Hz)	50	
Residual making and breaking capacity (IΔm):	(A)	630	
Rated conditional residual short-circuit current with fuse (IΔc):	(A)	10000 (gL 63A) for In=25-40A 10000 (gL 80A) for In=63A	
Number of poles:		2	4
Type of associated residual current circuit breaker:		A[IR]	
Rated current (In):	(A) 25 - 40		25 - 40 - 63
Rated residual operating current (IΔn):	(mA)	30	30 - 300
Rated non-operating resistance between live parts and earth (Rdo):	(kΩ) 20	8	8 (30mA) - 2.5 (300mA)
Rated operating resistance between live parts and earth (Rd):	(kΩ) 70	16	16 (30mA) - 5 (300mA)
Power loss at In:	(W)	2.2 (25A) - 5.4 (40A) - 6.2 (63A)	
Off-load absorbed power:	(VA)	4 (cosφ=0.2)	
Power absorbed during automatic reclosing:	(VA)	41 (cosφ=0.5)	
Power supply:		from above	
Mechanical characteristics			
Width in DIN modules:		5	7
Reclosing time:	(s)	10	
Autotest cycle time:	(s)	7	
Maximum operational frequency:	(oper./h)	30	
Max mechanical endurance (total no. operations):		4000	
Maximum no. of consecutive automatic reclosure operations ⁽²⁾:		3	
Counter reset time no. of consecutive automatic reclosure operations:	(s)	60	
Section of circuit breaker terminals:	(mm ²)	flexible cable: ≤ 1x35 - ≤ 2x16 - ≤ 1x16+2x10 rigid cable: ≤ 1x35 - ≤ 2x16 - ≤ 1x16+2x10	
Rated tightening torque:	(Nm)	2	
Degree of protection:		IP20 (terminals) - IP40 (front)	
Operating temperature:	(°C)	-25 +40	-25 +60 ⁽³⁾
Stocking temperature:	(°C)	-40 +70	
Tropicalization:		55°C - RH 95%	
Auxiliary contact characteristics			
Type of contact:		Photomos	
Operating voltage:	(V)	5-230 AC/DC	
Operating current:	(mA)	0,6 (min) - 100 cosφ=1 (max)	
Operating frequency:	(Hz)	50	
Category of use:		AC12	
Operating mode:		NO / NC / NC + impulse ⁽⁴⁾	
Terminal section:	(mm ²)	≤ 2.5	
Rated tightening torque:	(Nm)	0.4	
Autotest function			
Regular and automatic RCCB test:		•	•
Light signalling for autotest cycle in progress:		•	•
Light signalling for any device anomaly:		•	•
ReStart function			
Automatic reclosure for untimely tripping:		•	•
Earth leakage check:		•	•
Continuous system check:		•	•
Interruption of reclosure operation in the event of a fault:		•	•
Signalling of reclosure operation in progress:		•	•
Light signalling of failure:		•	•
Activation / exclusion of ReStart function:		•	•
Auxiliary contact for remote operating status access:		•	•
Internal electrical protection:		PTC	PTC

⁽¹⁾ Power supply 230V phase-neutral

⁽²⁾ In the absence of a system fault

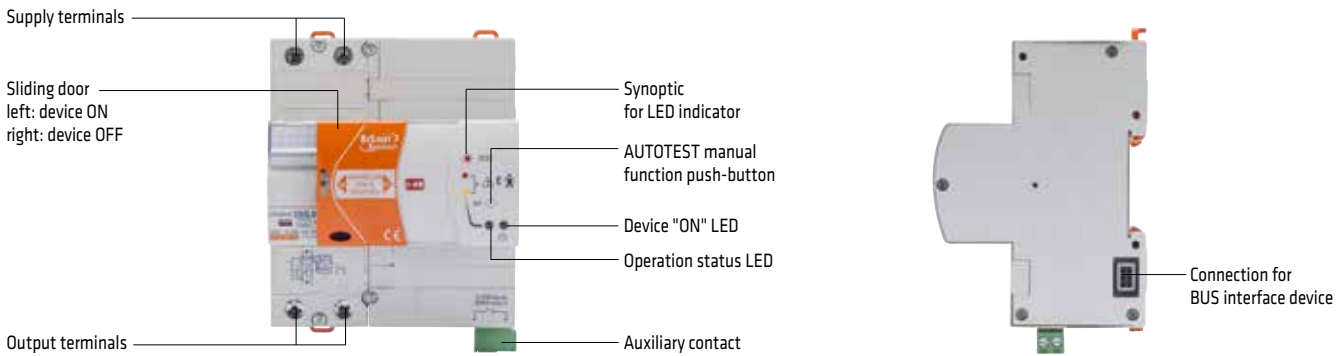
⁽³⁾ Average daily temperature ≤ +35°C

⁽⁴⁾ Choosing NC + impulse option, auxiliary contact switches for 100ms at the end of each cycle of Autotest carried out successfully.

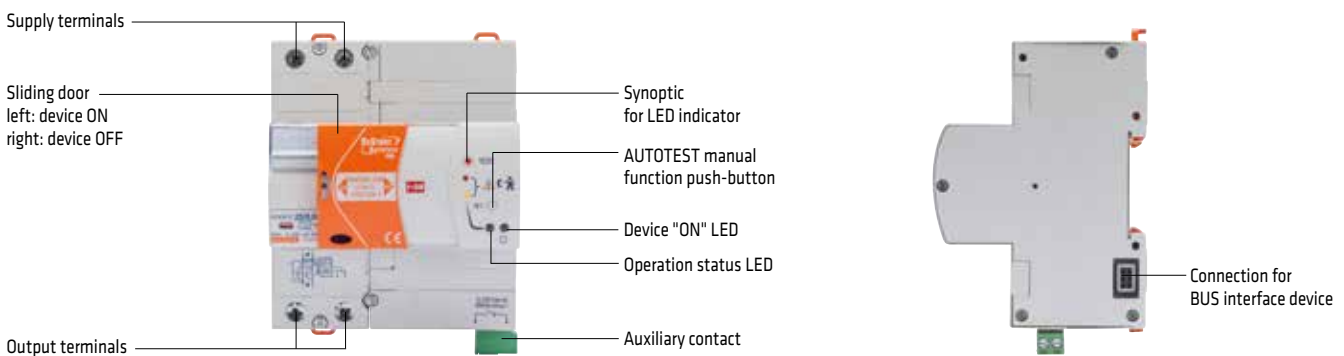
AUTOMATIC RECLOSING DEVICES

DEVICE DESCRIPTION

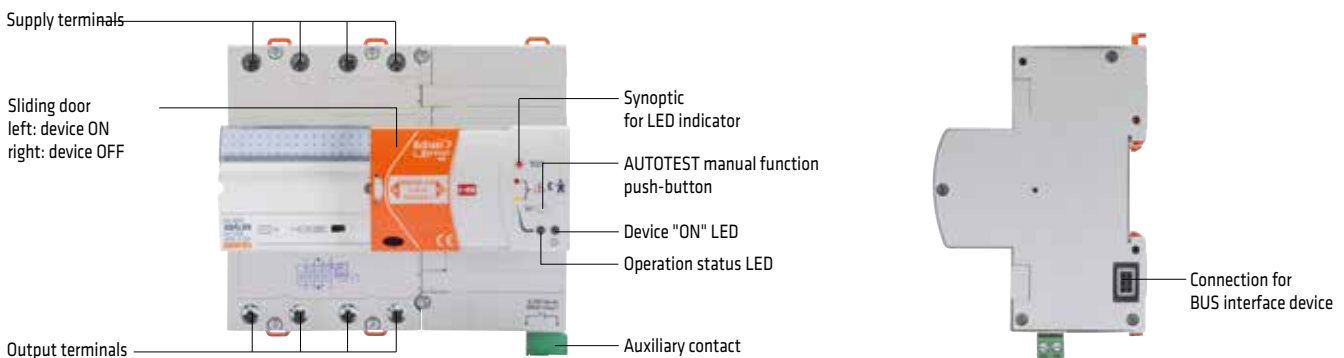
ReStart with Autotest 2P



ReStart with Autotest PRO 2P



ReStart with Autotest PRO 4P

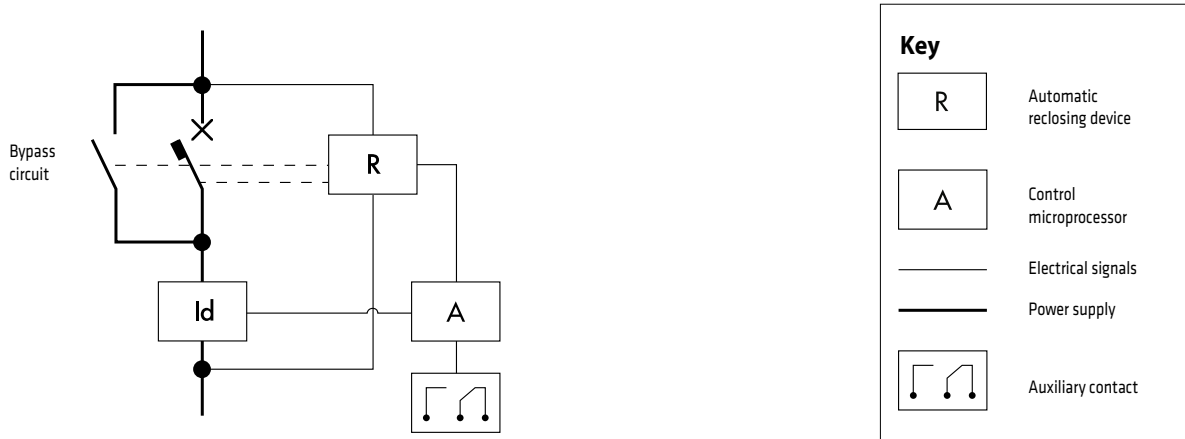


AUTOMATIC RECLOSING DEVICES

AUTOTEST FUNCTION

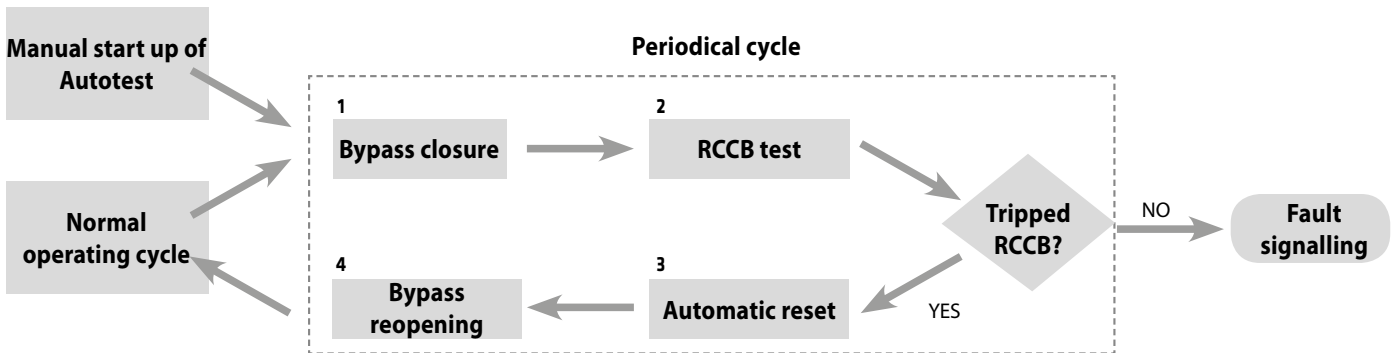
The Autotest function periodically tests the working of the residual current circuit breaker protection. During the test, a bypass circuit ensures electrical continuity meanwhile an additional RCCB protection device guarantees system safety. The automatic reclosing device ensures the automatic resetting of the lever of circuit breaker in ON position. Moreover, pressing the button on the front of the device at any time, Autotest immediately carries out an automatic test on the RCCB without interrupting the power supply. This means test can be carried out during normal day-to-day operations without any inconvenience.

Electrical diagram



Periodical test function

After installation, it is possible to start up the Autotest function manually (pressing the appropriate button) in order to check if the wiring is correct and to synchronise the periodical test function.



AUTOMATIC RECLOSING DEVICES

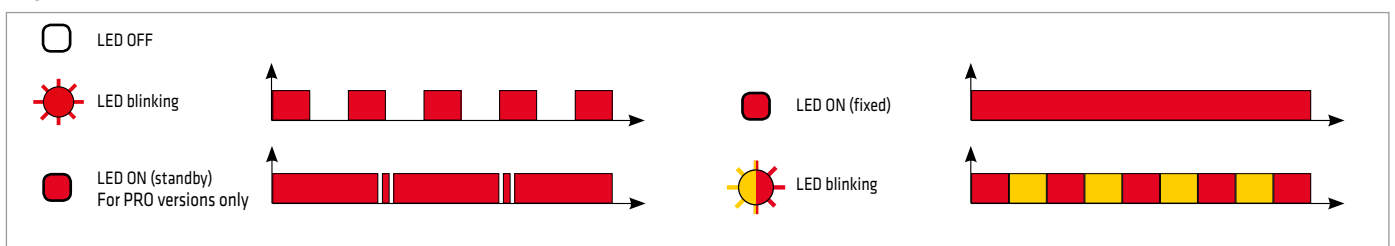
ReStart with Autotest light signalling

ReStart with Autotest is equipped with two LEDs on the front which show the operation conditions of device. Precisely, the right LED is switched on when the device is activated, whereas the left LED shows the operation conditions.

ReStart conditions	ReStart front	Lever position	LED indicators			Description
			Left LED	Right LED	Aux contact	
MANUAL OPERATION						
Deactivated		I	○	○	OFF	ARD and autotest OFF
Deactivated for over 15 minutes		I	○	○	ON	ARD and autotest OFF
Deactivated		0	○	○	OFF	ARD and autotest OFF
AUTOMATIC OPERATING CYCLE^(*)						
Normal operation		I	○	●	OFF	ARD and autotest ON Automatic functions ON
Electric circuit check		0	☠	●	OFF	ARD and autotest checks the electric system insulation
System failure		0	●	●	ON	ARD and autotest in block condition due to system fault For PRO versions only , ARD and autotest in standby condition due to system fault
Periodic Autotest		I/O	☠	●	OFF	Electric circuit check in progress Electric system supplied
Device fault		0	●	●	ON	There is a fault in ReStart device after testing RCCB. It is possible to restore the proper functions.
Device fault		I	●	●	ON	There is a fault in Restart device after testing RCCB. It is possible to restore the proper functions.
Device failure		I	☠	●	ON	ARD and autotest not working Call a technician for replacement
Device failure		0	☠	●	ON	ARD and autotest not working Call a technician for replacement

^(*) Before sliding the plastic cover to the left to activate the device, it is necessary to set the circuit breaker in the "I" position.
NOTE: ReStart device can be in block condition (red led fixed) after 4 following trips too (t≤60s after previous trip).

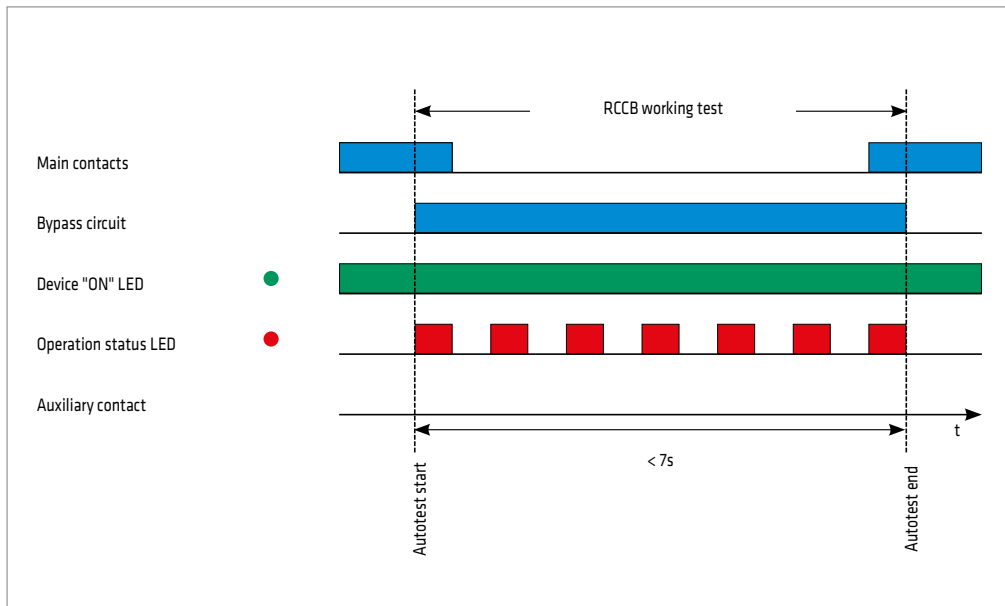
Key



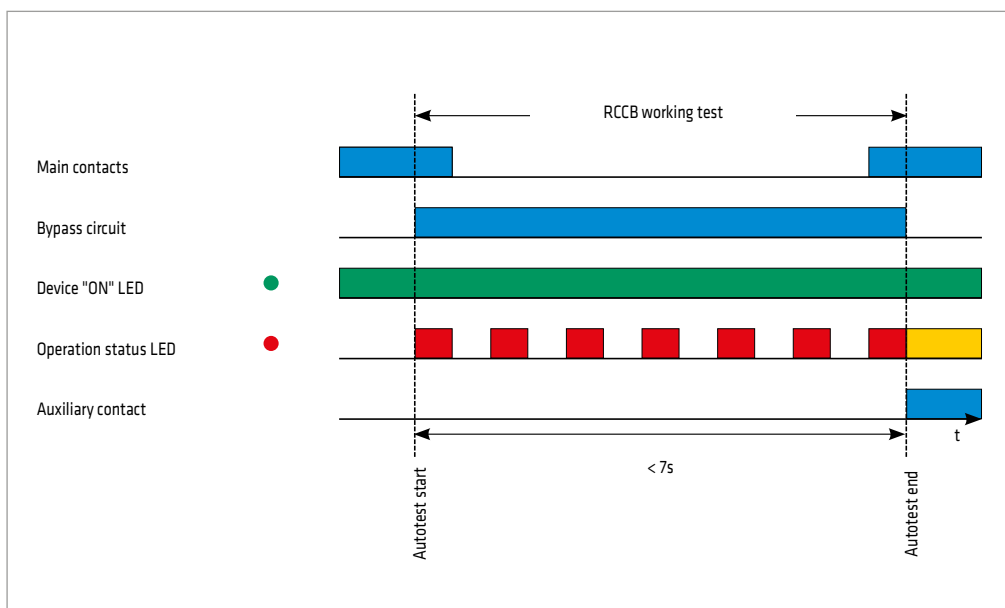
AUTOMATIC RECLOSING DEVICES

ReStart with Autotest operation conditions

Autotest function with positive result



Autotest function with negative result

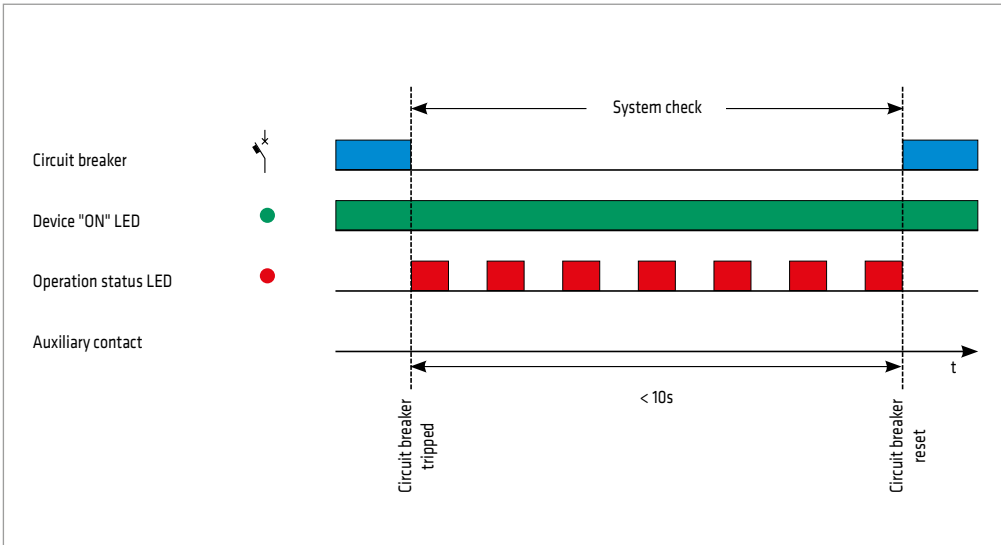


Key

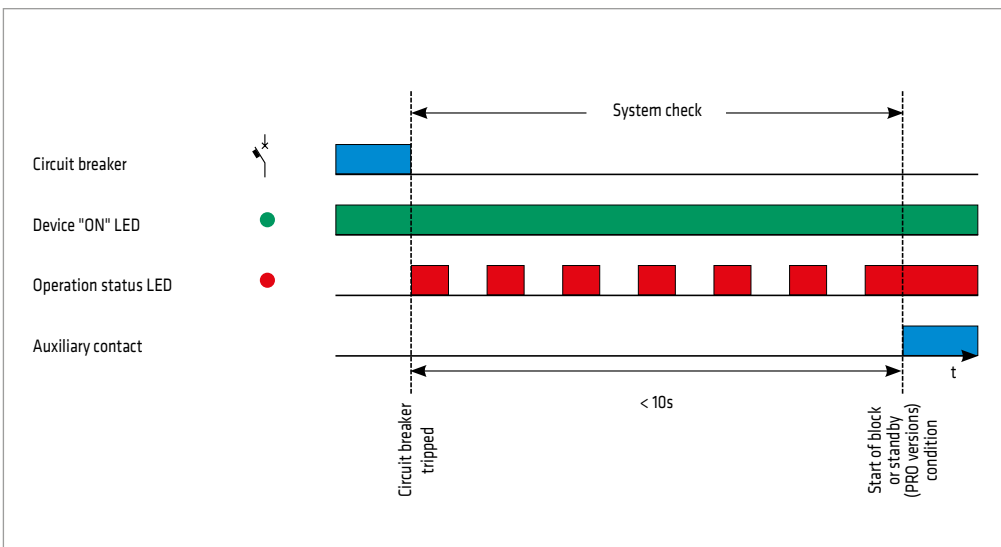
- Closed circuit
- Device ON
- Test in progress
- Device fault

AUTOMATIC RECLOSING DEVICES

ReStart function with positive result



ReStart function with negative result



Key

- Closed circuit
- Device ON
- System check in progress
- Device block
Device in standby (PRO version)

AUTOMATIC RECLOSING DEVICES

RESTART RD

Technical data

TYPE	ReStart Rd 2P	ReStart Rd PRO 2P	ReStart Rd PRO 4P
Electrical characteristics			
Standards:	EN 50557, EN 61008-1		EN 50557
Distribution system:	TT - TN		
Rated operational voltage (Ue): (V)	230 AC ⁽¹⁾		
Minimum operating voltage (min Ue) (V)	85% Ue		
Maximum operating voltage (max Ue): (V)	110% Ue		
Rated insulation voltage (Ui): (V)	500		
Dielectric strength test voltage between pole and earth: (V)	2500 AC for 1 minute		
Rated impulse withstand voltage (Uimp): (kV)	4		
Overvoltage category:	III		
Rated frequency: (Hz)	50		
Residual making and breaking capacity (IΔm): (A)	IΔm of the associated circuit breaker		
Rated conditional residual short-circuit current with fuse (IΔc): (A)	IΔc of the associated circuit breaker		
Number of poles:	2		4
Type of SD RCCB:	A - A[IR]	A - A[IR] - A[S]	AC - A - A[IR] - A[S]
Rated current (In): (A)	25 - 40 - 63	25 - 40 - 63 - 80	25 - 40 - 63 - 80 - 100
Rated residual operating current (IΔn): (mA)	30	30 - 100 - 300 - 500	30 - 100 - 300 - 500
Rated non-operating resistance between live parts and earth (Rdo): (kΩ)	20	8 (30mA) - 2,5 (100/300/500mA)	
Rated operating resistance between live parts and earth (Rd): (kΩ)	70	16 (30mA) - 5 (100/300/500mA)	
Power loss at In: (W)	Power loss of the associated circuit breaker		
Off-load absorbed power: (VA)	0	17 (cosφ=0.2)	4 (cosφ=0.2)
Power absorbed during automatic reclosing: (VA)	18 (cosφ=0.5)		45 (cosφ=0.5)
Mechanical characteristics			
Width in DIN modules:	2 (ARD) + 2 (RCCB)		3 (ARD)
Reclosing time: (s)	90		10
Maximum operational frequency: (oper./h)	15		30
Max mechanical endurance (total no. operations):	1000		4000
Maximum no. of consecutive automatic reclosure operations ⁽²⁾:	3		
Counter reset time no. of consecutive automatic reclosure operations: (s)	180		60
Section of circuit breaker terminals: (mm ²)	flexible cable: ≤ 1x35 - ≤ 2x16 - ≤ 1x16+2x10 rigid cable: ≤ 1x35 - ≤ 2x16 - ≤ 1x16+2x10		
Rated tightening torque: (Nm)	2		
Degree of protection:	IP20 (terminals) - IP40 (front)		
Operating temperature: (°C)	-5 +40		-25 +60 ⁽³⁾
Stocking temperature: (°C)	-40 +70		
Tropicalization:	55°C - RH 95%		
Auxiliary contact characteristics			
Type of contact:	- Photomos		
Operating voltage: (V)	- 5-230 AC/DC		
Operating current: (mA)	- 0,6 (min) - 100 cosφ=1 (max)		
Operating frequency: (Hz)	- 50		
Category of use:	- AC12		
Operating mode:	- NO/NC/INTERMITTENT		- NO/NC/NO as signal of handle position
Terminal section: (mm ²)	- ≤ 2,5		
Rated tightening torque: (Nm)	- 0,4		
ReStart function			
Automatic reclosure for untimely tripping:	•	•	•
Earth failure test:	•	•	•
Earth leakage check:	•	•	•
Interruption of reclosure operation in the event of a fault:	•	•	•
Signalling of reclosure operation in progress:	•	•	•
Light signalling of failure:	•	•	•
Activation / exclusion of ReStart function:	•	•	•
Auxiliary contact for remote operating status access:	•	•	•
Internal electrical protection:	PTC	PTC	PTC

⁽¹⁾ Power supply 230V phase-neutral

⁽²⁾ In the absence of a system fault

⁽³⁾ Average daily temperature ≤ +35°C

AUTOMATIC RECLOSING DEVICES

RESTART RM

Technical data

TYPE	ReStart Rm 2P	ReStart Rm PRO 2P	ReStart Rm PRO 4P	Rm TOP	CM
Electrical characteristics					
Standards:	EN 50557, EN 61009-1		EN 50557	-	-
Distribution system:	TT - TN			TT - TN - IT ⁽¹⁾	TT-TN-IT
Rated operational voltage (U _e):	(V)	230 AC ⁽²⁾			
Minimum operating voltage (min U _e):	(V)	85% U _e			
Maximum operating voltage (max U _e):	(V)	110% U _e			
Rated insulation voltage (U _i):	(V)	500			
Dielectric strength test voltage between pole and earth:	(V)	2500 AC for 1 minute			
Rated impulse withstand voltage (U _{imp}):	(kV)	4			
Overvoltage category:		III			
Rated frequency:	(Hz)	50			
Residual making and breaking capacity (I _{Δm}):	(A)	I _{Δm} of the associated circuit breaker			
Number of poles:		2		4	
Type of MDC RCBO:		A - A[IR]	A - A[S]	AC - A - A[IR] - A[S]	
Type of MT+BD RCBO:		-	-	AC - A - A[IR] - A[S]	
Rated current (I _n):	(A)	from 6 to 32		from 1 to 63	
Rated residual operating current (I _{Δn}):	(mA)	30	30 - 300	30 - 300 - 500 - 1000	
Rated non-operating resistance between live parts and earth (R _{do}):	(kΩ)	20	8 (30mA) - 2.5 (300mA)	8 (30mA) - 2.5 (300/500/1000mA)	-
Rated operating resistance between live parts and earth (R _d):	(kΩ)	70	16 (30mA) - 5 (300mA)	16 (30mA) - 5 (300/500/1000mA)	-
Rated non-operating resistance between live parts (R _{cco}):	(Ω)	0.8		0.3	-
Rated operating resistance between live parts (R _{cc}):	(Ω)	1.3		1.8	-
Power loss at In:	(W)	Power loss of the associated circuit breaker			
Off-load absorbed power:	(VA)	0	17 (cosφ=0.2)	15 (cosφ=0.1)	0 (cosφ=0.2)
Power absorbed during automatic reclosing:	(VA)	18 (cosφ=0.5)	34 (cosφ=0.7)	30 (cosφ=0.6)	30 (cosφ=0.6)
Reclosing control:		automatic		automatic / remote ⁽³⁾	remote ⁽³⁾
Mechanical characteristics					
Width in DIN modules:		2 (ARD) + 2 (RCBO)	3 (ARD)	4 (ARD)	2 (ARD)
Reclosing time:	(s)	90	10	3 (without system test) 10 (with system test)	3
Remote control opening time:	(s)	-	-	2	
Maximum operational frequency:	(oper./h)	15		30	
Max mechanical endurance (total no. operations):		1000	4000	10000	
Maximum no. of consecutive automatic reclosure operations ⁽⁴⁾ :			3		-
Counter reset time					
no. of consecutive automatic reclosure operations:	(s)	180		60	-
Section of circuit breaker terminals:	(mm ²)	flexible cable: ≤ 1x35 - ≤ 2x16 - ≤ 1x16+2x10 rigid cable: ≤ 1x35 - ≤ 2x16 - ≤ 1x16+2x10			
Rated tightening torque:	(Nm)	2			
Degree of protection:		IP20 (terminals) - IP40 (front)			
Operating temperature:	(°C)	-5 +40		-25 +60 ⁽⁵⁾	
Stocking temperature:	(°C)		-40 +70		
Tropicalization:		55°C - RH 95%			
Auxiliary contact characteristics					
Type of contact:		-	Photomos	Changeover	Photomos
Operating voltage:	(V)	-	5-230 AC/DC	230 AC / 30 DC	5-230 AC/DC
Operating current:	(mA)	-	0,6 (min) 100 cosφ=1 (max)	1,5 AC / 0,8 DC	0,6 (min) 100 cosφ=1 (max)
Operating frequency:	(Hz)	-		50	
Category of use:		-		AC12	
Operating mode:		-	NO/NC/ INTERMITTENT	NO/NC/NO as signal of handle position	CO
Terminal section:	(mm ²)	-		≤ 2,5	
Rated tightening torque:	(Nm)	-		0,4	
ReStart function					
Automatic reclosure for untimely tripping:		•	•	•	•
Earth leakage check:		•	•	•	•
Short-circuit check:		•	•	•	•
Adjustable insulation threshold:					•
Continuous system check:			•		•
Adjustable reset standby time ⁽⁶⁾ :					•
Adjustable reclosing mode:					•
Interruption of reclosure operation in the event of a fault:		•	•	•	•
Signalling of reclosure operation in progress:		•	•	•	•
Light signalling of failure:		•	•	•	•
Activation / exclusion of ReStart function:		•	•	•	•
Auxiliary contact for remote operating status access:		•	•	•	•
Internal electrical protection:		PTC	PTC	PTC	PTC

⁽¹⁾ For IT system reclosing without fault check

⁽⁴⁾ In the absence of a system fault

⁽²⁾ Power supply 230V phase-neutral

⁽⁵⁾ Average daily temperature ≤ +35°C

⁽³⁾ Impulse duration ≥ 200ms

⁽⁶⁾ Automatic reclosure delay time: 0-1h

For technical information contact the Technical Assistance Service or visit gewiss.com

AUTOMATIC RECLOSING DEVICES

DEVICE DESCRIPTION

ReStart Rd 2P



ReStart Rm 2P



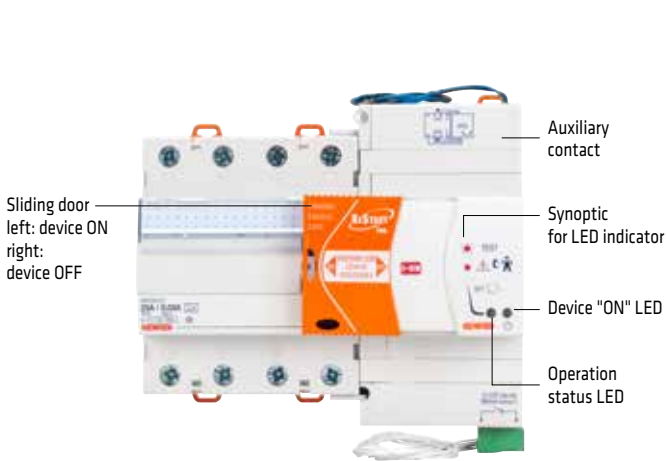
ReStart Rd PRO 2P



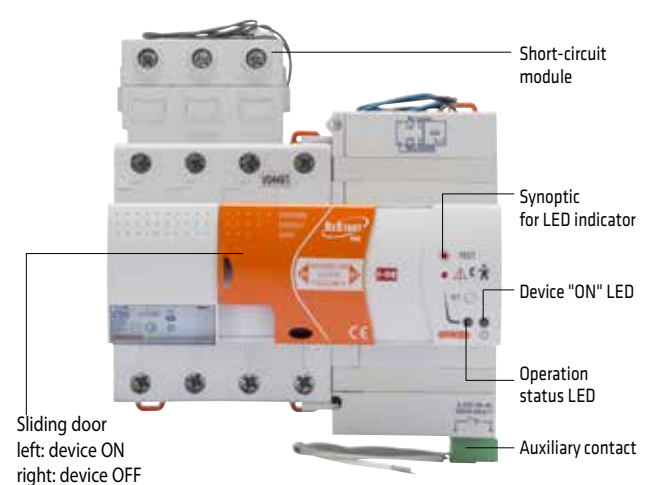
ReStart Rm PRO 2P



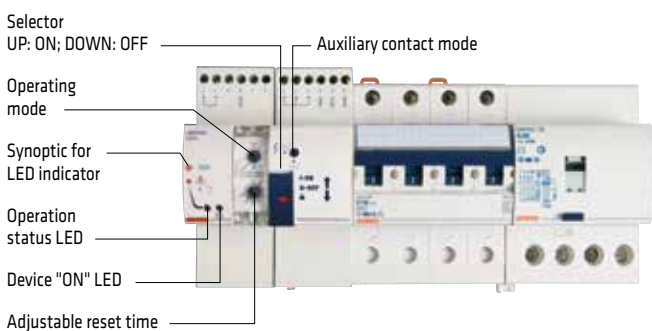
ReStart Rd PRO 4P



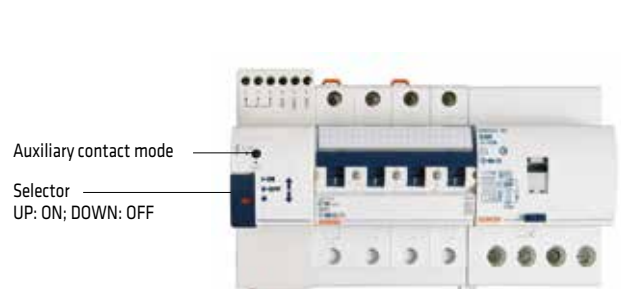
ReStart Rm PRO 4P



ReStart Rm TOP



ReStart Cm

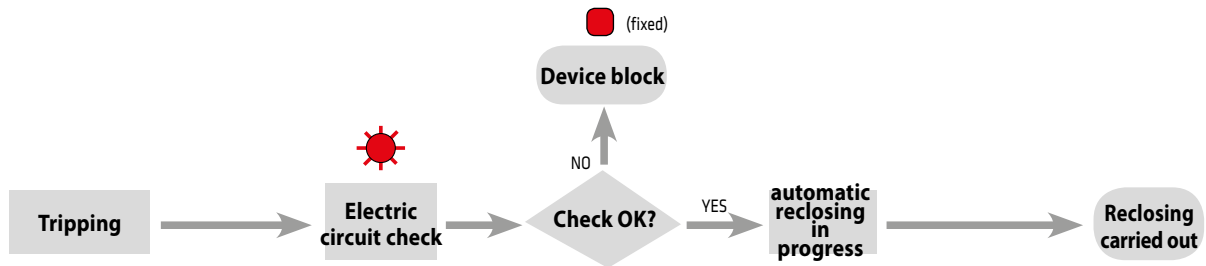


AUTOMATIC RECLOSING DEVICES

AUTOMATIC RECLOSING FUNCTION

ReStart with Autotest, Rd and Rm

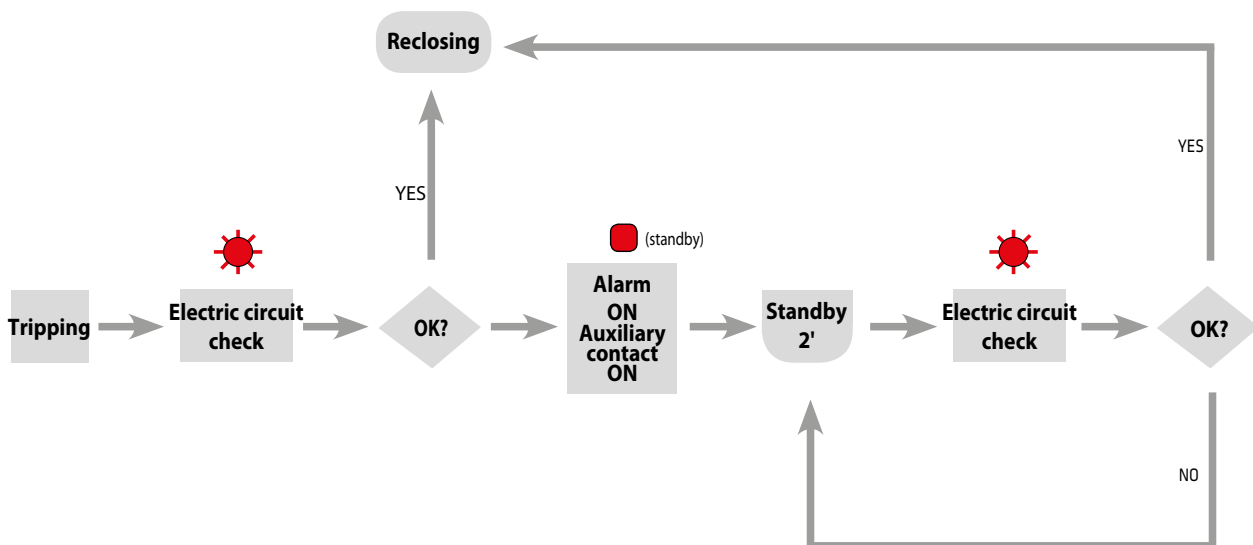
The automatic reclosing is carried out after an untimely tripping of the circuit breaker but only after an electrical circuit check. If a fault is found, the device sets itself on block condition and signals the fault by means of the front LED indicator.



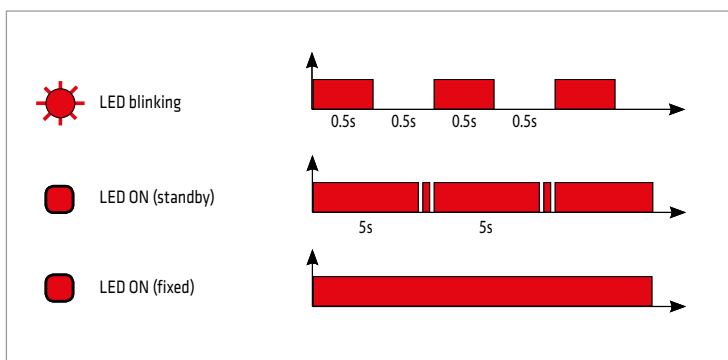
RESTART WITH AUTOTEST, RD AND RM PRO VERSION

The circuit breaker is reclosed after an untimely tripping of the circuit breaker but only after a system check.

When the system check gives a negative result, the device goes into standby and signals this condition by means of the frontal LED indicator. System checks will then be carried out at 2' intervals, and the device will only reclose when the result of the test is positive. If no positive result is obtained, the device will remain in standby until the next test, or until a manual reset. The auxiliary contact signals the system fault.



Key



AUTOMATIC RECLOSING DEVICES

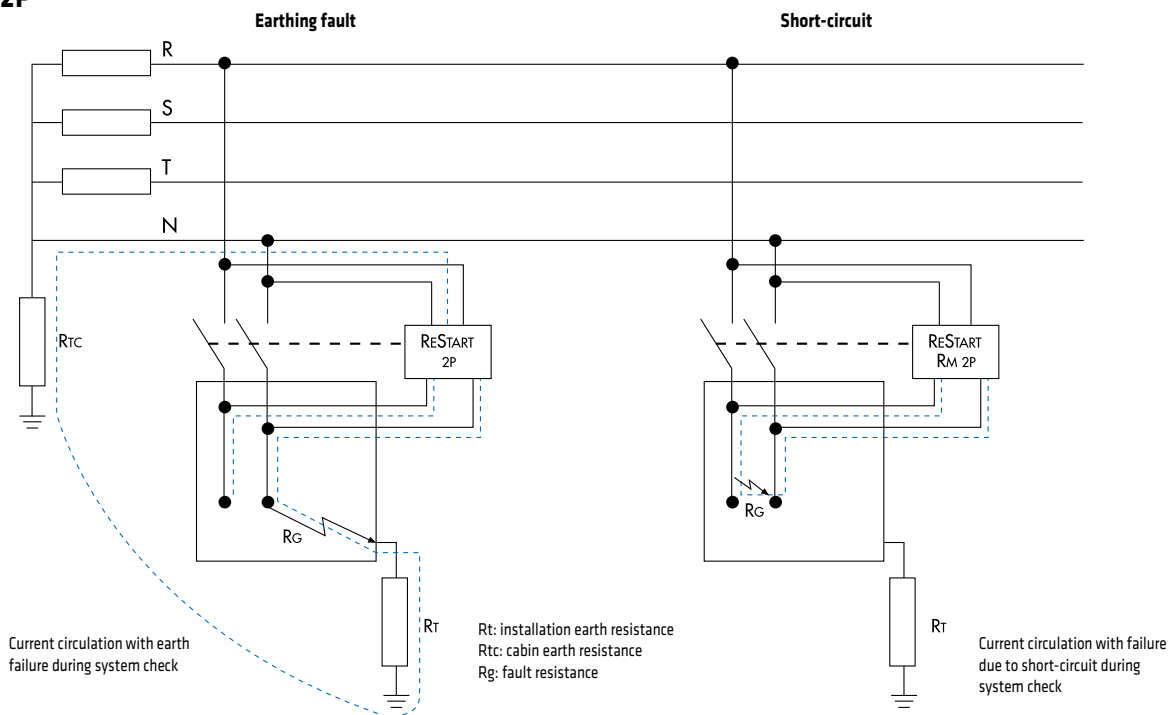
System fault check

Every device belonging to ReStart range is equipped with internal electronic circuit which is able to check the system and then to carry out the automatic reclosing of the circuit breaker if the value of the insulation resistance measured by the electronic circuit is compatible with the predefined safety values.

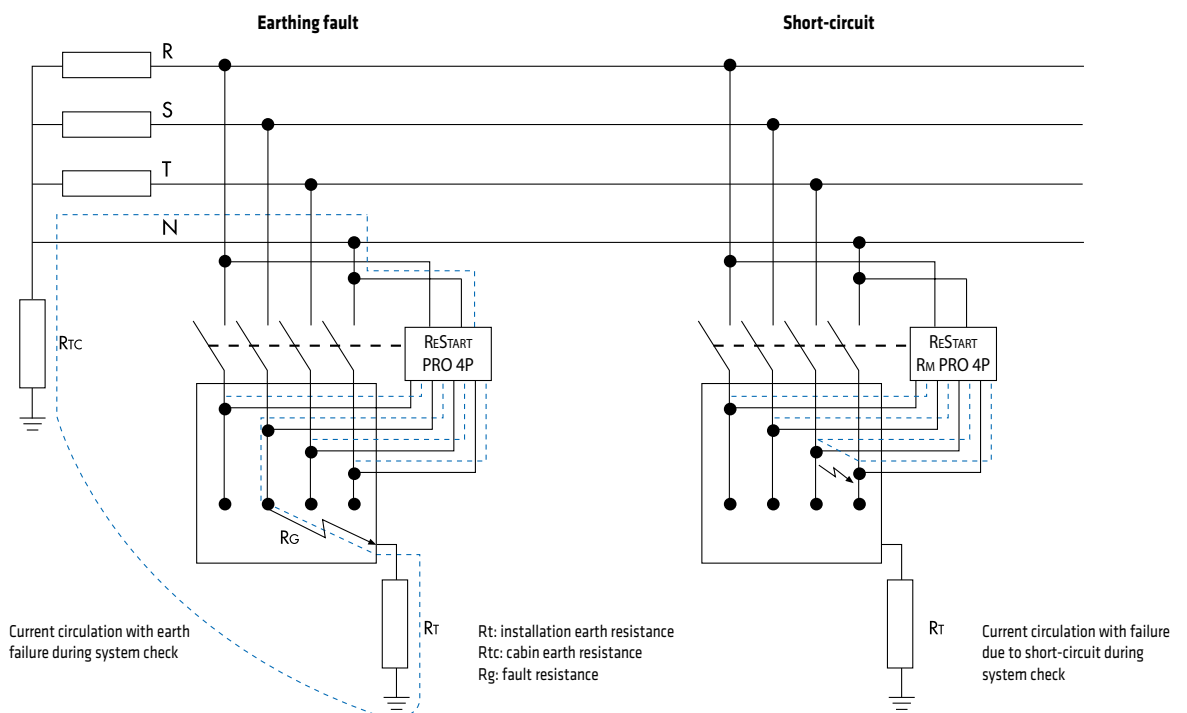
During the system check ReStart injects a pulsant unidirectional current type in order to check the status of the system. The intensity of this current is extremely low in order to guarantee always the people safety. The figures below are given as an example to show the route taken by the current during system check for TT distribution systems both single and three phase.

ReStart RM, in addition to the check of the insulation resistance, carries out a system short circuit check.

ReStart 2P



ReStart 4P



AUTOMATIC RECLOSING DEVICES

ReStart Rd and Rm light signalling

ReStart Rd and Rm are equipped with one LED on the front which shows the operation conditions of the device.

ReStart Rd

ReStart conditions	ReStart front	Lever position	Indicator LED	Description
MANUAL OPERATION				
Deactivated		I		Reset device OFF
Deactivated		0		Reset device OFF
AUTOMATIC OPERATING CYCLE (*)				
Normal operation		I		Reset device ON
Electric circuit check		0		Reset device in electric system insulation check condition.
System failure		0		Reset device in block condition due to low insulation of downstream electric system.

(*) Before sliding the plastic cover to the left to activate the device, it is necessary to set the associated circuit breaker in the "I" position.

NOTE: ReStart device can be in block condition (red led fixed) after 4 following trips too (t≤180s after previous trip).

ReStart Rm

ReStart conditions	ReStart front	Lever position	Indicator LED	Description
MANUAL OPERATION				
Deactivated		I		Reset device OFF
Deactivated		0		Reset device OFF
AUTOMATIC OPERATING CYCLE (*)				
Normal operation		I		Reset device ON
Electric circuit check		0		Reset device in electric system insulation and short-circuit check conditions.
System failure		0		Reset device in block condition due to low insulation or short-circuiting fault of downstream electric system

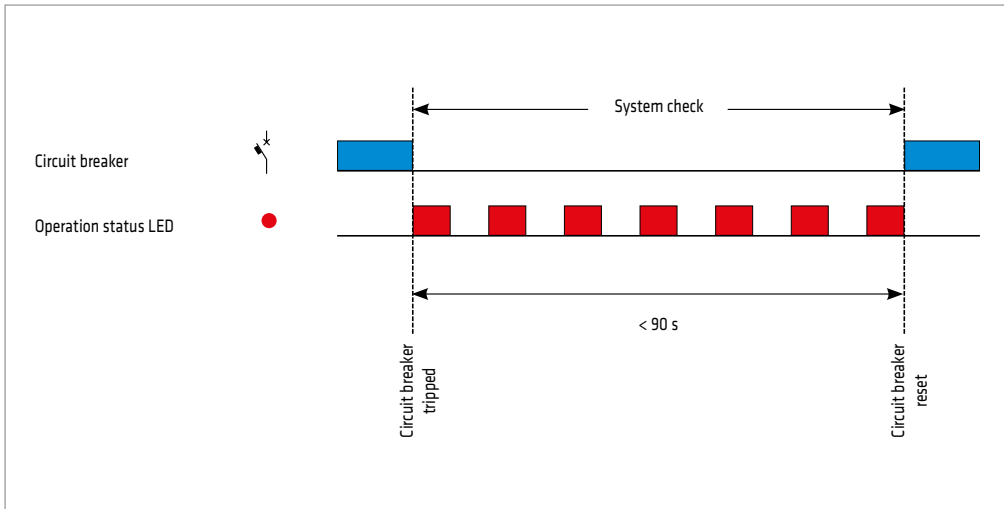
(*) Before sliding the plastic cover to the left to activate the device, it is necessary to set the associated circuit breaker in the "I" position.

NOTE: ReStart device can be in block condition (red led fixed) after 4 following trips too (t≤180s after previous trip).

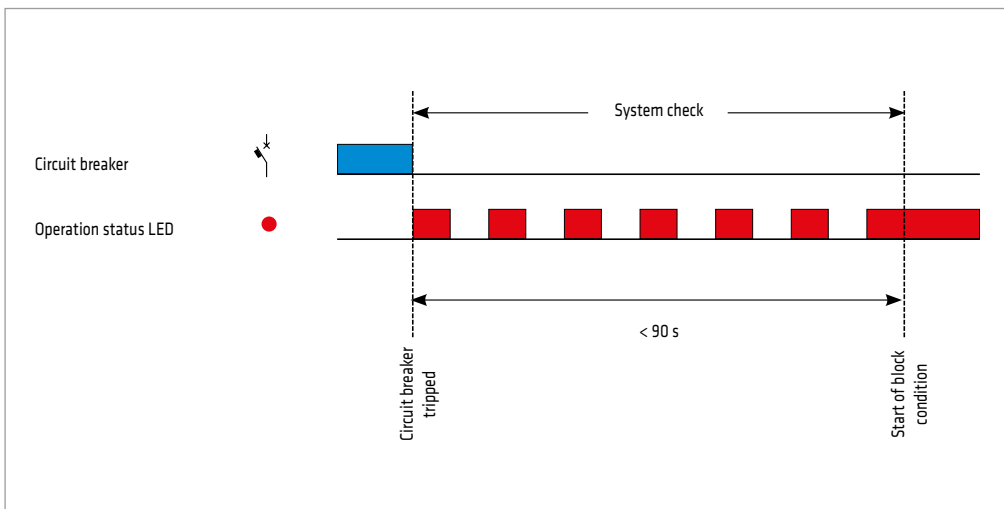
AUTOMATIC RECLOSING DEVICES

ResStart Rd and Rm operation conditions

ReStart function with positive result



ReStart function with negative result



Key

- Closed circuit
- System check in progress
- Device block

AUTOMATIC RECLOSING DEVICES

ReStart Rd and Rm PRO light signalling

ReStart PRO is equipped with two LEDs on the front which show the operation conditions of device.

The right-hand LED is switched on when the device is activated, and the left-hand LED shows the operation conditions.

ReStart conditions	ReStart front	Lever position	LED indicators			Description
			Left LED	Right LED	Aux contact	
MANUAL OPERATION						
Deactivated		I	○	○	OFF	Reset device OFF
Deactivated for over 15 minutes (*)		I	○	○	ON (*)	Reset device OFF
Deactivated		0	○	○	OFF	Reset device OFF
AUTOMATIC OPERATING CYCLE (**)						
Normal operation		I	○	●	OFF	Reset device ON
Electric circuit check		0	⊙	●	OFF	Reset device in system check condition .
System insulation fault		0	● (standby)	●	ON	Reset device in standby conditions due to insulation fault of downstream electric system

(*) Available for 4pole versions only

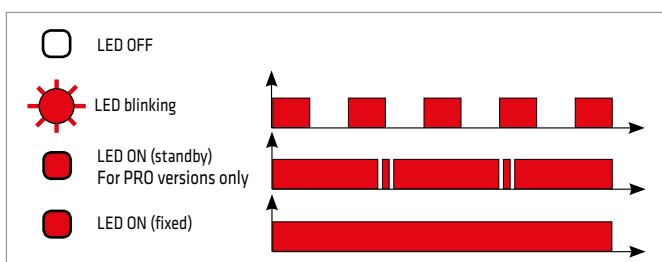
(**) before sliding the plastic cover to the left to activate the device, it is necessary to set the associated circuit breaker in the "I" position.

NOTE: ReStart device can be in block condition (red led fixed) after 4 following trips too (t≤180s after previous trip for 2P versions or t≤60s after previous trip for 4P versions)

Specifically, Restart Rm PRO may have the following operation condition:

ReStart conditions	ReStart front	Lever position	LED indicators			Description
			Left LED	Right LED	Aux contact	
AUTOMATIC OPERATION						
System short-circuit fault		0	● (fixed)	●	ON	Reset device in block condition due to short-circuit fault of downstream electric system

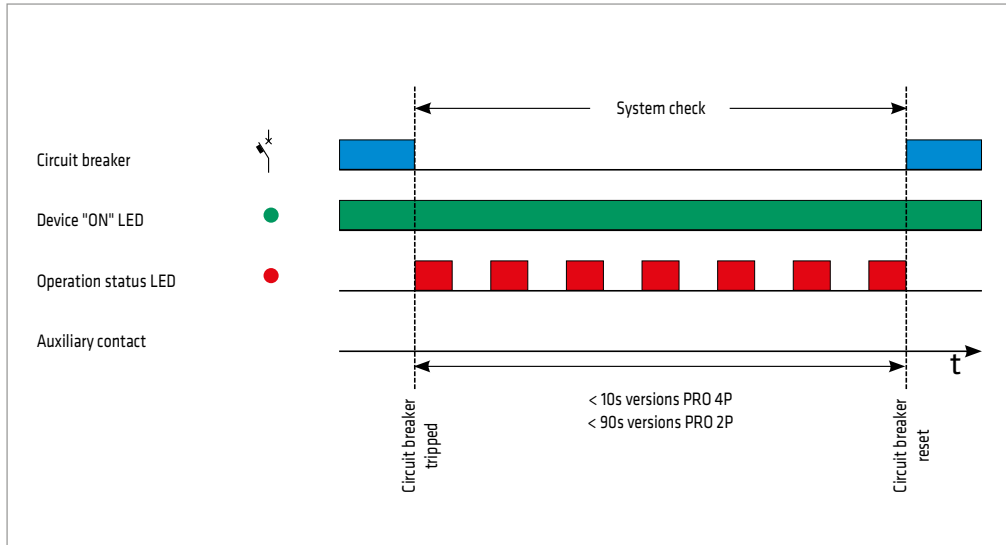
Key



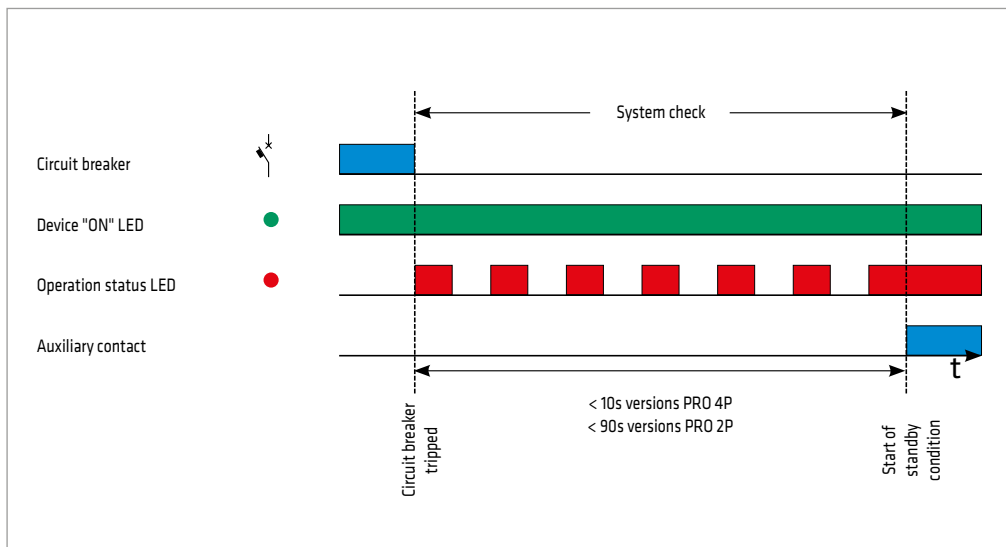
AUTOMATIC RECLOSING DEVICES

Restart Rd and Rm PRO operation conditions

ReStart function with positive result



ReStart function with negative result



Key

- Closed circuit
- Device ON
- System check in progress
- Device standby

AUTOMATIC RECLOSING DEVICES

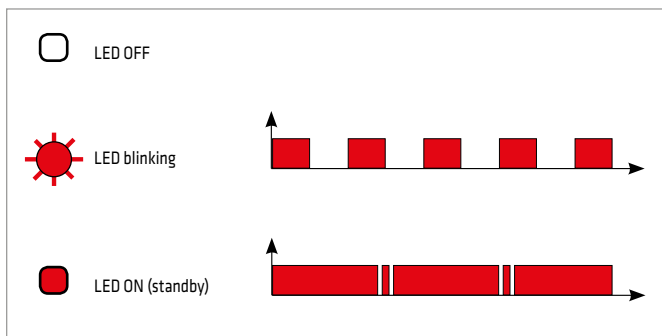
ReStart Rm TOP light signalling

ReStart Rm TOP is equipped with two LEDs on the front which show the operation conditions of the device. In addition, by adjusting the two trimmers you can select the operation mode.

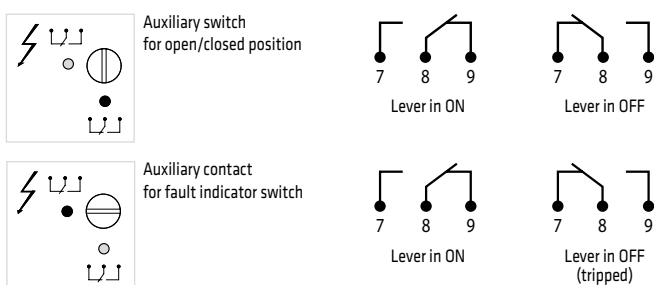
ReStart conditions	ReStart front	Lever position	LED indicators				Description
			Left LED	Right LED	Aux contact 1	Aux contact 2	
MANUAL OPERATION							
Deactivated		I	○	○	OFF	ON (OFF)*	Device OFF
Deactivated		O	○	○	OFF	OFF	Device OFF
AUTOMATIC OPERATING CYCLE							
Normal operation		I	○	●	OFF	ON	Device ON
Electric circuit check		O	⊙	●	OFF	OFF	Device in system check condition
System failure		O	●	●	ON	OFF	Device in standby due to system fault

(*) If it has been set as fault indicator switch.

Key

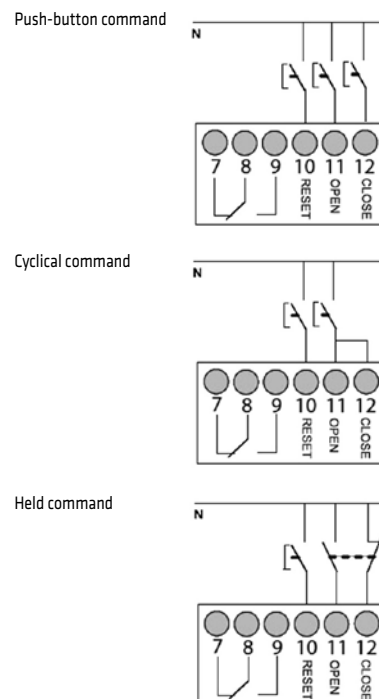


Setting of Aux contact 2



NOTE: to change the function Aux contact 2, from open/closed position to fault indicator switch and viceversa, it's required to turn the selector by screwdriver and to make an automatic reclosing cycle.

Setting as motor operating

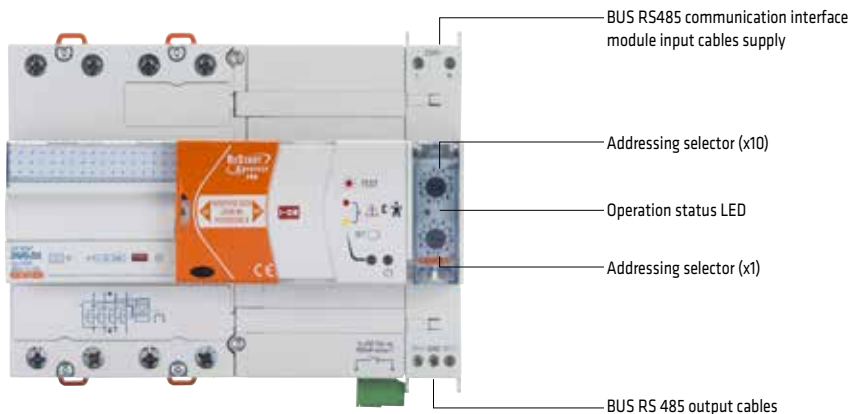


BUS RS485 Communication interface module

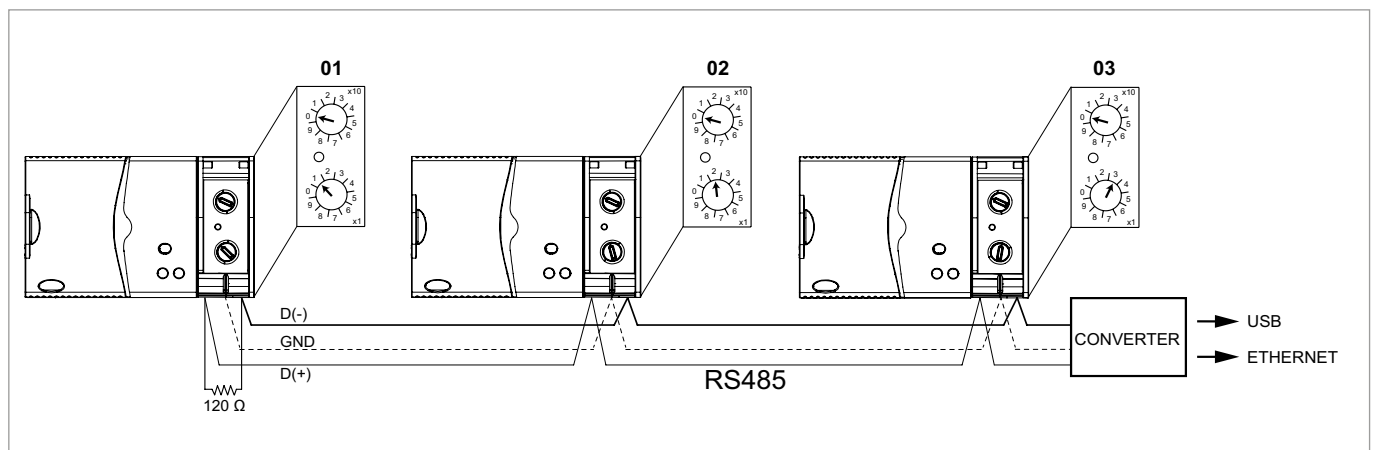
Technical data		
Code:		GW90992
Rated operational voltage (Ue):	(V)	230 a.c.
Minimum operating voltage (min Ue):	(V)	85% Ue
Maximum operating voltage (max Ue):	(V)	110% Ue
Rated impulse voltage (Uimp):	(kV)	4
Rated frequency:	(Hz)	50
Width in DIN modules:		1
Communication protocol:		modbus RS485
Number of addresses:		1 ÷ 99
Transmission speed:		38.400 baud rate
Coupled with:		ReStart with Autotest (2 e 4 pole) ReStart Rm PRO (4 pole) ReStart Rd PRO (4 pole)
Rated tightening torque:	(Nm)	0,4
Power loss:	(W)	1
Degree of protection:		IP20
Operating temperature:	(°C)	-25...+60 ⁽¹⁾
Maximum conductor cross section:	(mm ²)	2,5
Sealable:		yes

⁽¹⁾ Average daily temperature ≤ +35°C

Device description



Connection example



AUTOMATIC RECLOSING DEVICES

Application examples

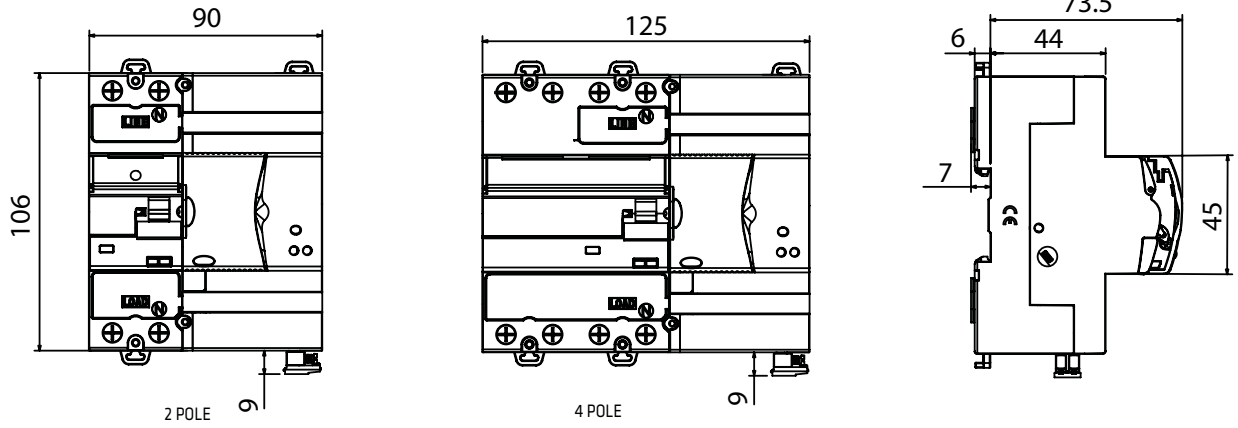
ReStart PRO and ReStart Rm TOP

With Restart PRO it is possible to monitor the insulation level after tripping for an indefinite period of time (until acceptable values are obtained and the automatic reset operation is performed). This control system is indispensable where the system's insulation level can suddenly drop, due to weather conditions, and then rise thus allowing reset operations once optimal conditions are re-established.

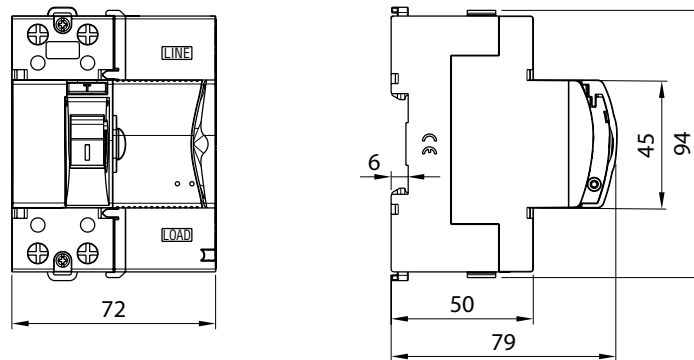
		SPECIFICATIONS	TYPICAL SYSTEMS
OUTDOOR SYSTEMS		<ul style="list-style-type: none"> - Exposure to atmospheric disturbance - Insulation levels depending on weather conditions (temperature and humidity) - Presence of electronic power supplies - Extensive damage due to blackout - Difficult accessibility of electrical circuit 	<ul style="list-style-type: none"> - Lighting in public places - Outdoor lighting in gardens and squares - Sporting facilities - Traffic lights - Signalling - Pollution control stations - Telecommunication installations - Radio links - Traffic-information panels - Advertising hoardings
INDOOR SYSTEMS			

Dimension tables

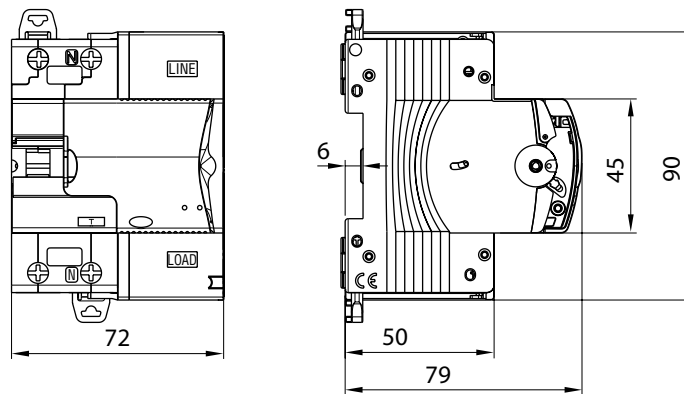
ReStart with Autotest



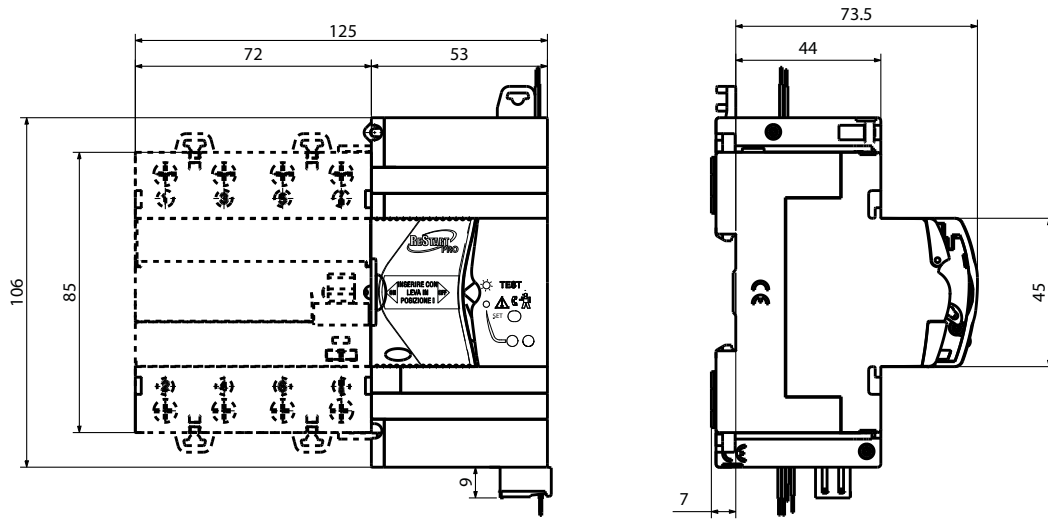
ReStart Rd and Rd PRO 2P



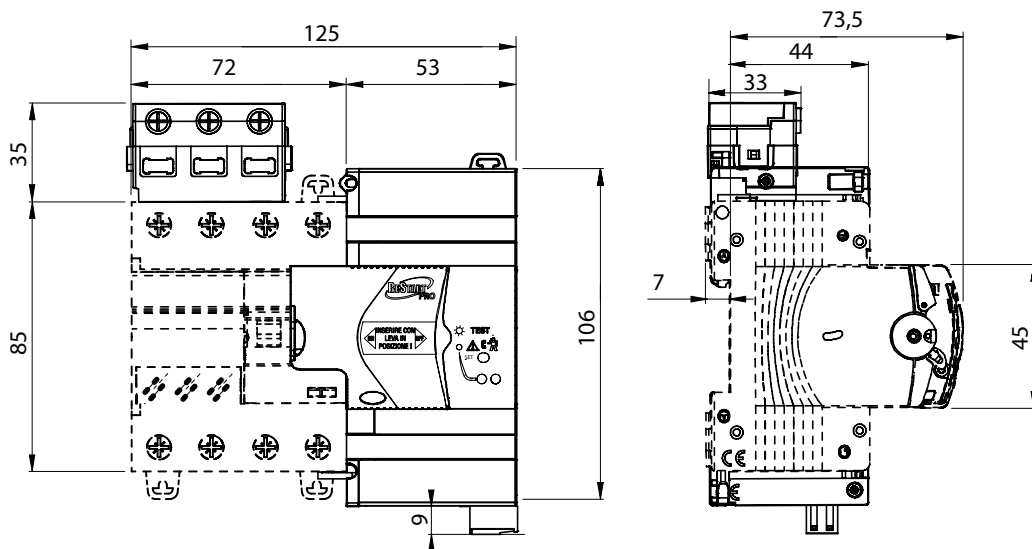
ReStart Rm and Rm PRO 2P



ReStart Rd PRO 4P

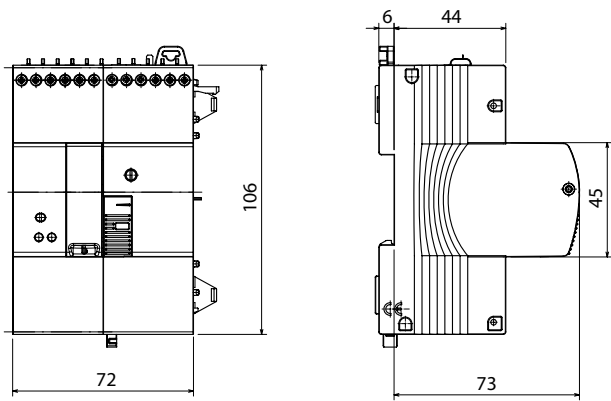


ReStart Rm PRO 4P

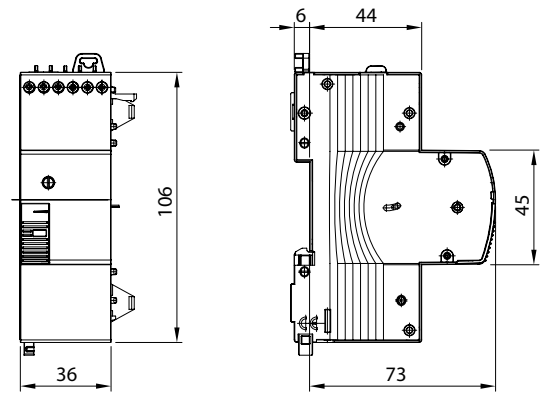


AUTOMATIC RECLOSING DEVICES

ReStart Rm TOP



ReStart Cm



BUS RS485 Interface module

