



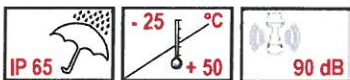
Features

- ▶ Visual-audible LED signal tower in half dome design
- ▶ For universal applications (industrial, building and others)
- ▶ Any colour combination and housing size (2 – 5 positions) available
- ▶ 6 lens colours, 3 housing colours (grey, chrome, black)
- ▶ LED steady light or LED flashing light for each position selectable
- ▶ High protection class IP 65 – suitable for outdoor and indoor
- ▶ For horizontal and vertical mounting
- ▶ Particular lens optics with reflective coating
 - optimal signalling and visibility from each viewing angle (180°)
 - „moving“ bright LED light
- ▶ Optional piezo buzzer in upper housing area available
 - tone types continuous and pulsing
 - sound pressure individually adjustable ~70-90 dB (A) in 1 m
- ▶ SPS-fit (leakage, inrush current)
- ▶ Available in nominal voltages 12 V AC/DC, 24 V AC/DC, 110/120 V AC and 230/240 V AC
- ▶ Certified to UL type 4/4X/13

slim design, only 45 mm wide for optimal integration/combination of signal tower unit in machine/panel building or other (building) applications



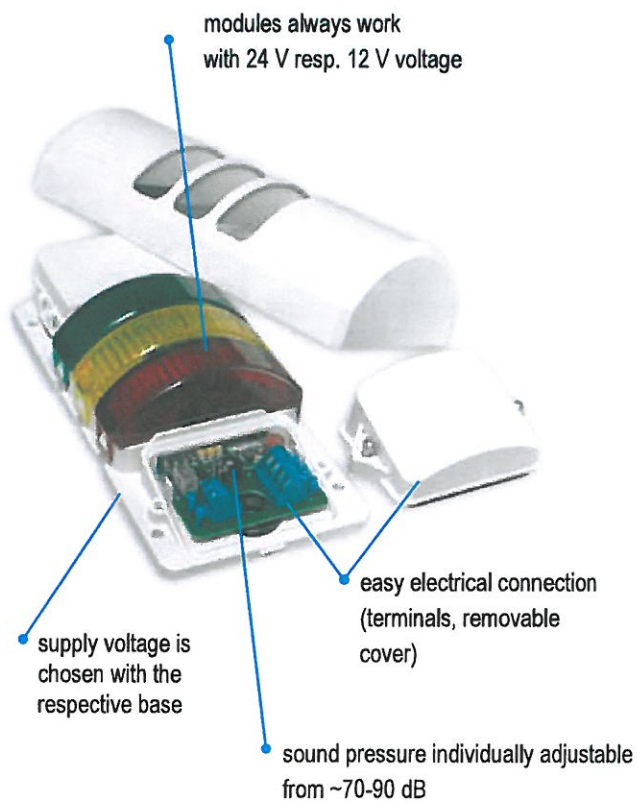
IP 65 – for use in damp and dusty environmental conditions, also outdoor



halfDOME90



Optimal signalling and visibility from each viewing angle (180°)
 moving bright LED light



Signal Tower halfDOME90



Technical data

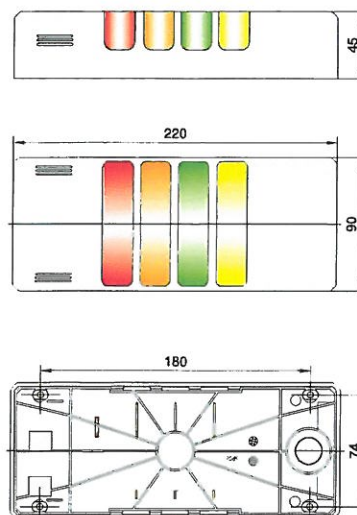
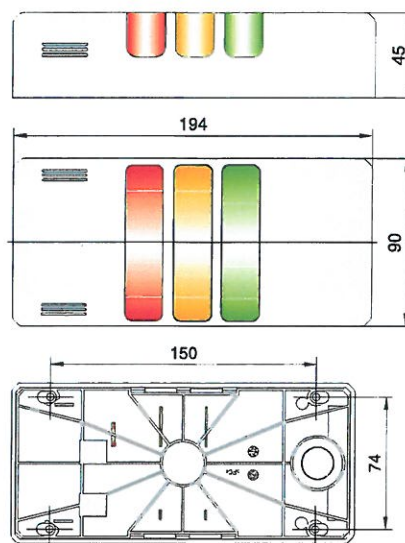
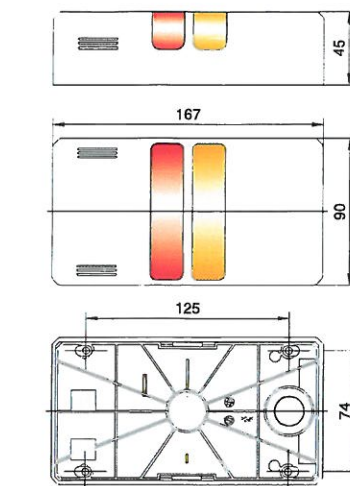
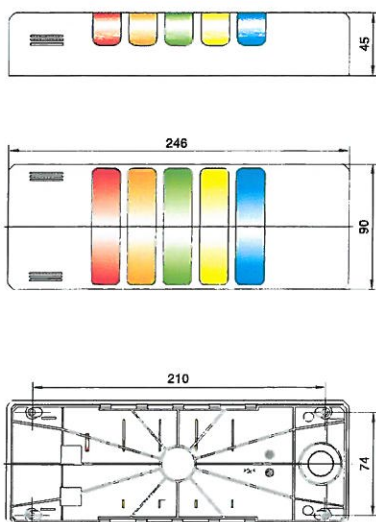
Signal towers halfDOME90

Housing	polycarbonate	
Housing upper part, colour	ABS, grey RAL 7035, black RAL 9005, chrome	
Lens	polycarbonate	
Lens colour	amber, red, clear, blue, green, yellow	
Temperature range	-25 °C to +50 °C	
Protection class	IP 65 NEMA 4/4X/13	
Light modules	HDL	HDB
Type of light	steady light	flashing light
Light source	LED	LED
Flashing frequency	---	2 Hz
Light emission	180°	
Leakage	0,003 A	
Nominal current (24 V)	0,043 A	
Weight (g)	2 lights: 273	
	3 lights: 319	
	4 lights: 376	
	5 lights: 419	
Buzzermodule	HDZ	
Tone type	continuous/pulsing	
Tone frequency	~ 2500 Hz	
Tone selection	tone selectable via terminal clamp	
Max. sound pressure	~ 70-90 dB (potentiometer)	
Nominal current	0,065 A	

NOTE:

Light modules mounted in housings of halfDOME products work for nominal voltages 24 V AC/DC, 110/120 V AC and 230/240 V AC with an operating voltage of 24 V only; 12 V AC/DC models work with 12 V operating voltage.

For design reasons light modules cannot be changed after dispatch of product!



Descriptive order number logic for halfDOME90 LED signal towers

	Housing colour	Nominal voltage	Module Position A		Module Position B		Module Position C		Module Position D		Module Position E		Tone module	
HD	C	24	L	6	B	7	L	2	B	5	L	4	D	Z



Housing colour	
G	gray
C	chrome
B	black

Nominal voltage	
12	12 V AC/DC
24	24 V AC/DC
10	110/120 V AC
20	230/240 V AC

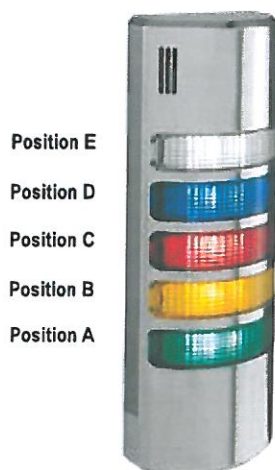
Module		
L	HDL	LED steady light
B	HDB	LED flashing light
DZ	HDZ	Buzzer continuous/pulsing tone 70-90 dB

Lens colour	
1	amber
2	red
4	clear
5	blue
6	green
7	yellow

INFORMATION:

halfDOME LED signal towers are available in 4 housing models:

HD2	Housing with 2 lights
HD3	Housing with 3 lights
HD4	Housing with 4 lights
HD5	Housing with 5 lights



How to order correctly a halfDOME90 LED signal tower			
Configuration	Type	New	Correct order number
Buzzer continuous/pulsing tone	HDZ	DZ	HDC24L6B7L2B5L4DZ
LED steady light, clear	HDL	L4	
LED flashing light, blue	HDB	B5	
LED steady light, red	HDL	L2	
LED flashing light, yellow	HDB	B7	
LED steady light, green	HDL	L6	
Nominal voltage 24 V AC/DC		24	
Housing colour chrome		C	
Housing for 5 lights	HD5		