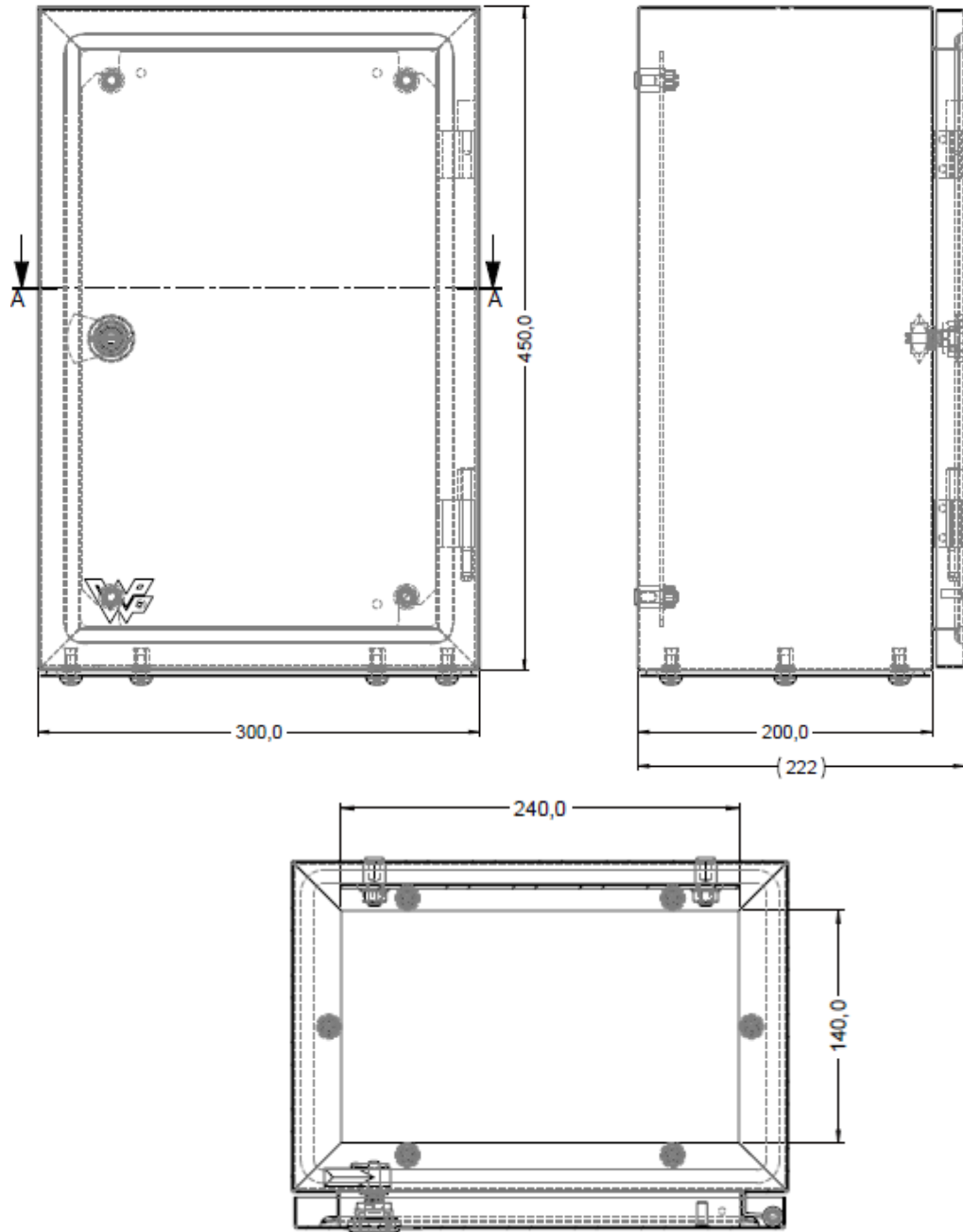


Product SPECIFICATION SHEET

WALL MOUNTING STEEL ENCLOSURE 450x300x220



SECTION A-A
SCALE 1 : 3

BRANCH CONTACT DETAILS

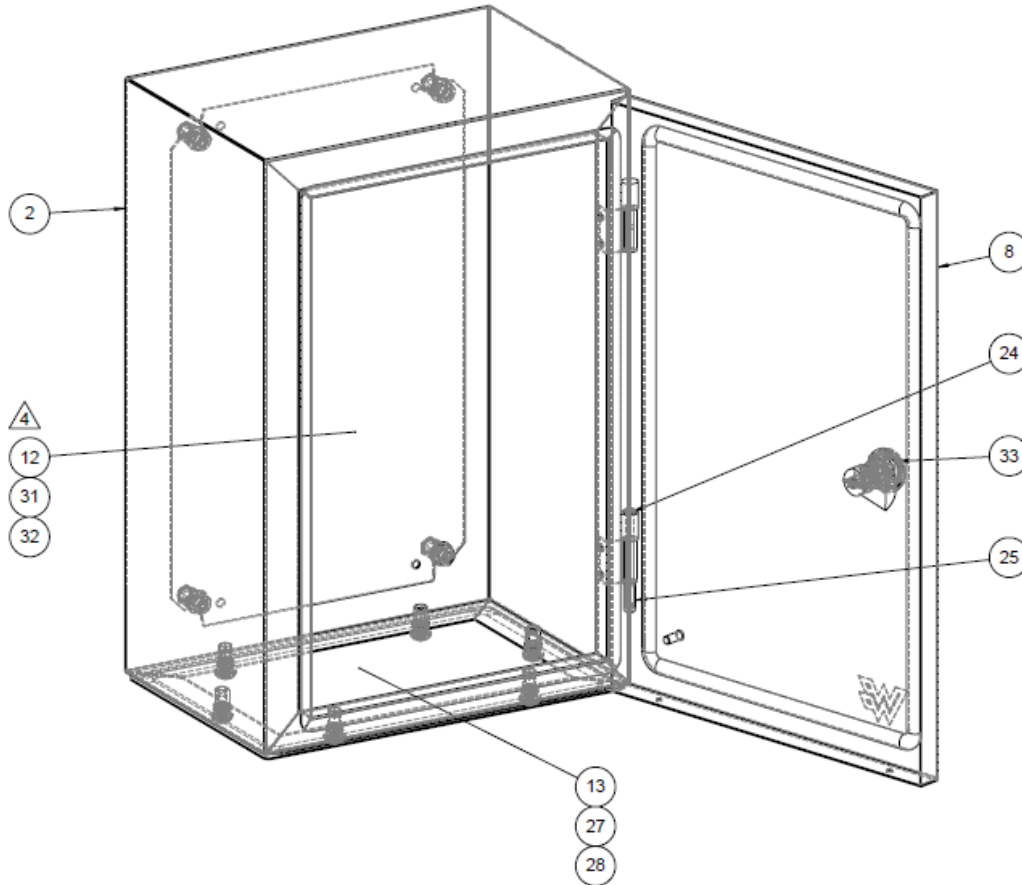
Johannesburg	010 202 3300
Germiston	011 418 9600
Cape Town	021 510 0710
Pinetown	031 700 4215
Riverhorse	031 492 4800

NATIONAL CALL CENTRE

Sales 010 202 3400
Technical 010 202 3500

www.acdc.co.za

Product SPECIFICATION SHEET



33	25.55.201.01	IP55 PANEL LOCK Ø25	1
32	M8 STST	HEX NUT	4
31	M8 STST	FLAT WASHER	4
28	M6 x 16mm	PAN HEAD POZI	6
27	M6	NYLON WASHER BLACK	6
25	100-23594	PIN RETAINER	1
24	100-24104S	HINGE PIN	1
13	210-18513 REV 2	PERANO 102 GLAND PLATE	1
12	210-0542 REV 9	PERANO 102 CHASSIS	1
8	202-5178 REV 1	W.A. DOOR PERANO 102	1
2	202-5191 REV 5	W.A. MAIN BODY PERANO 102	1

BRANCH CONTACT DETAILS

Johannesburg 010 202 3300
Germiston 011 418 9600
Cape Town 021 510 0710
Pinetown 031 700 4215
Riverhorse 031 492 4800

NATIONAL CALL CENTRE

Sales 010 202 3400
Technical 010 202 3500

www.acdc.co.za