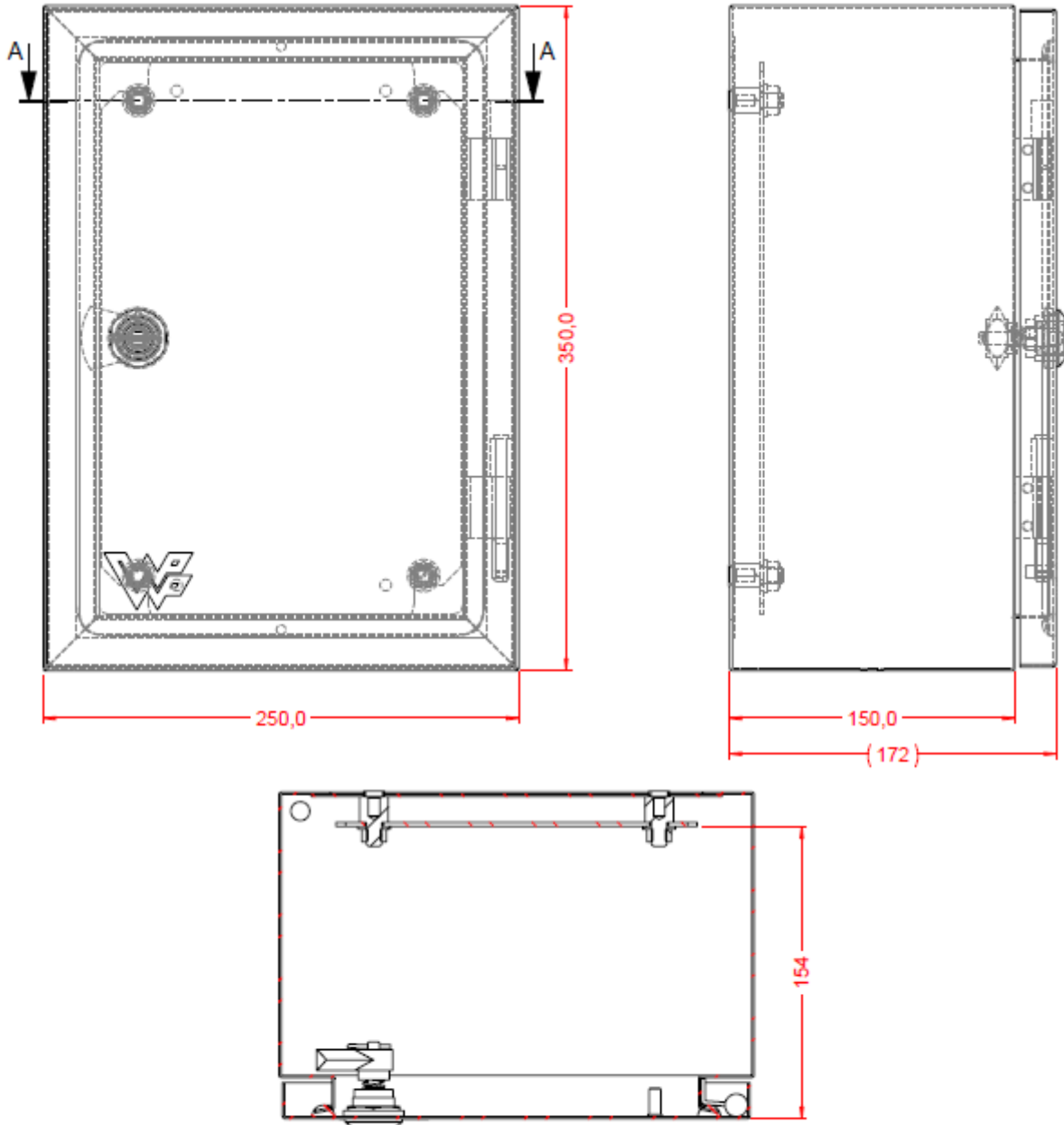


# Product SPECIFICATION SHEET

## PERANO STEEL ENCLOSURE 350x250x170



SECTION A-A  
SCALE 1 : 2.5

### BRANCH CONTACT DETAILS

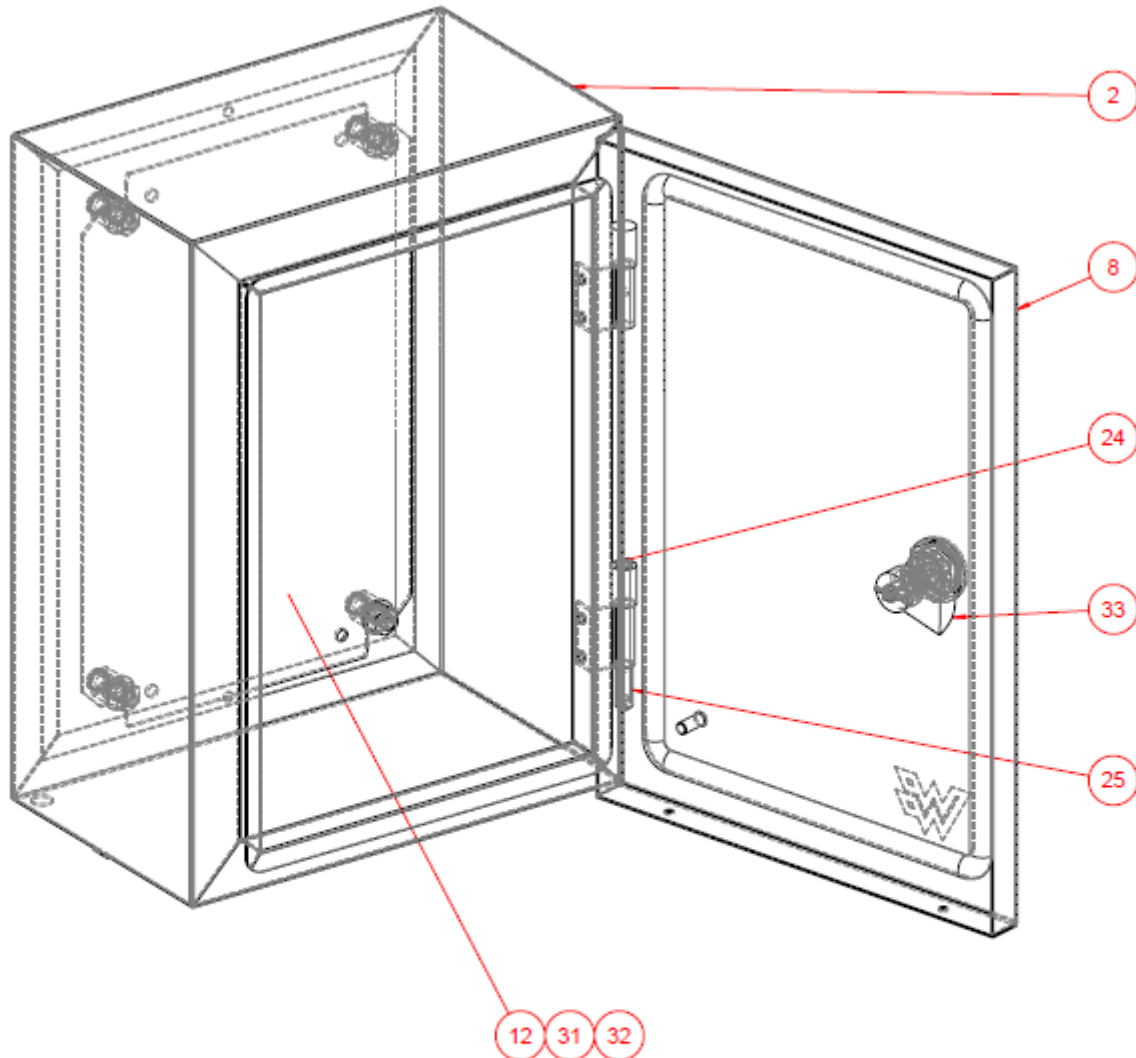
Johannesburg	010 202 3300
Germiston	011 418 9600
Cape Town	021 510 0710
Pinetown	031 700 4215
Riverhorse	031 492 4800

### NATIONAL CALL CENTRE

Sales 010 202 3400  
Technical 010 202 3500

[www.acdc.co.za](http://www.acdc.co.za)

# Product SPECIFICATION SHEET



33	25.55.201.01	IP55 PANEL LOCK Ø25	1
32	M8	HEX NUT	4
31	M8	WASHER	4
25	100-23594	PIN RETAINER	1
24	100-24014	HINGE PIN	1
12	210-0541 REV 9	PERANO CHASSIS 101	1
8	202-5177 REV 1	W.A. DOOR PERANO 101	1
2	202-5168 REV 3	W.A. PERANO 201 MAIN BODY	1
ITEM NO.	PART NUMBER	DESCRIPTION	QTY.

#### BRANCH CONTACT DETAILS

Johannesburg 010 202 3300  
Germiston 011 418 9600  
Cape Town 021 510 0710  
Pinetown 031 700 4215  
Riverhorse 031 492 4800

#### NATIONAL CALL CENTRE

Sales 010 202 3400  
Technical 010 202 3500

[www.acdc.co.za](http://www.acdc.co.za)