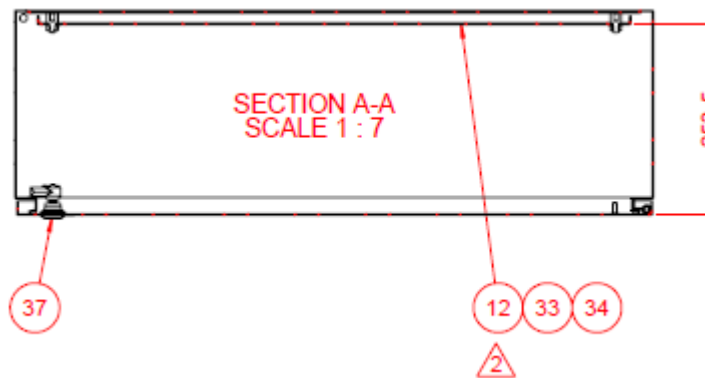
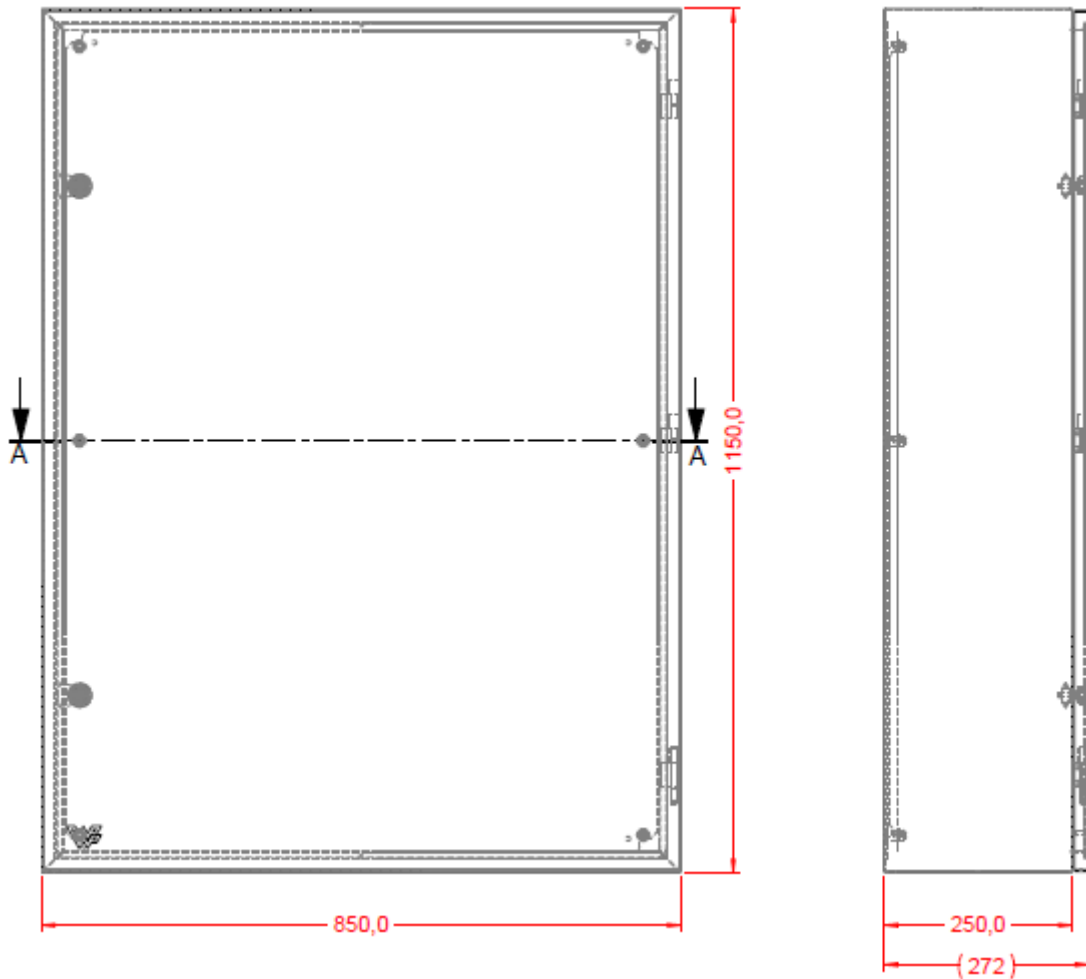


Product SPECIFICATION SHEET

PERANO STEEL ENCLOSURE 1150x850x270



BRANCH CONTACT DETAILS

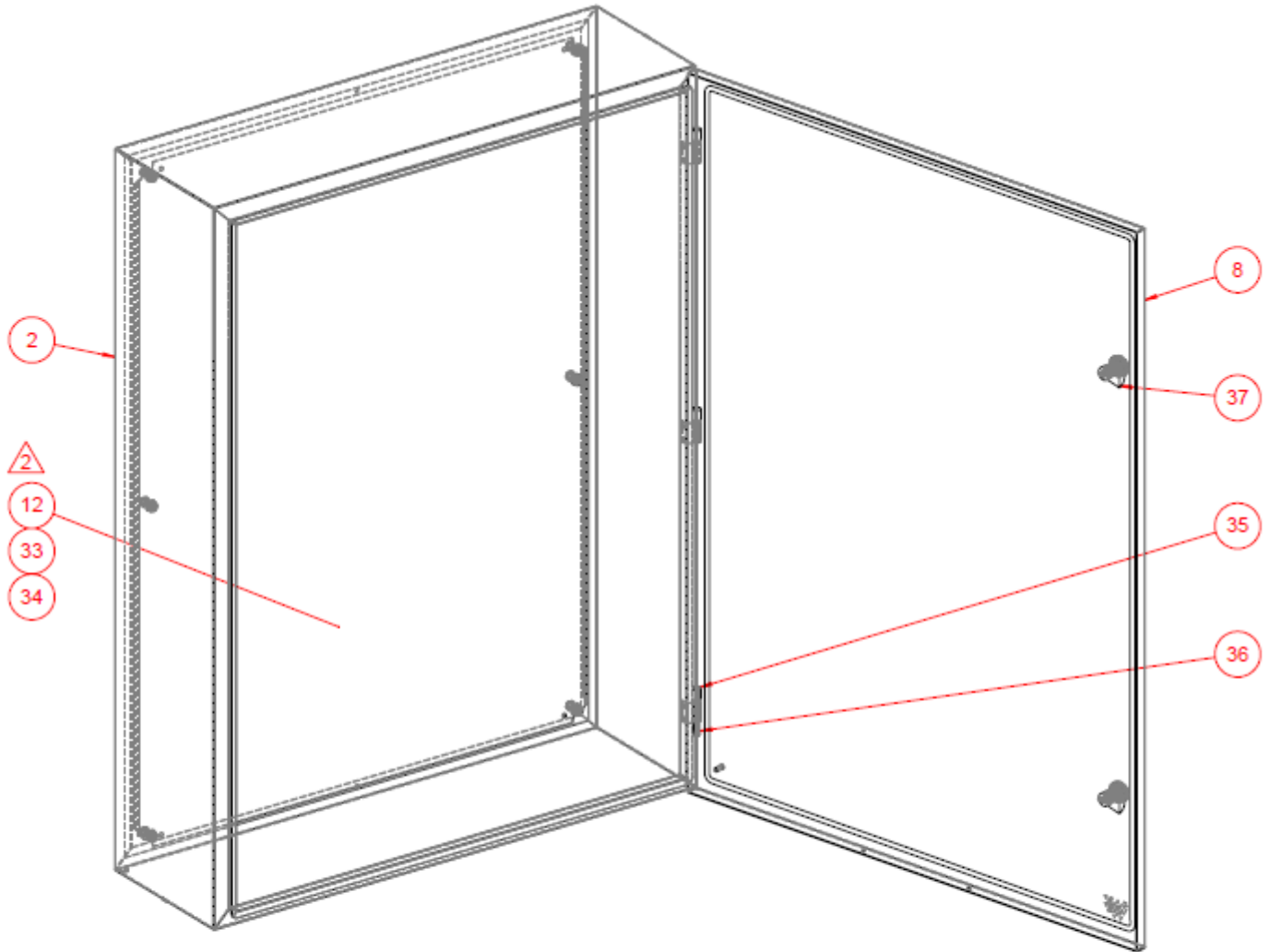
Johannesburg 010 202 3300
Germiston 011 418 9600
Cape Town 021 510 0710
Pinetown 031 700 4215
Riverhorse 031 492 4800

NATIONAL CALL CENTRE

Sales 010 202 3400
Technical 010 202 3500

www.acdc.co.za

Product SPECIFICATION SHEET



37	25.55.201.01	IP55 PANEL LOCK Ø25	2
36	100-23594	PIN RETAINER	1
35	100-24104S	HINGE PIN	1
34	M8	HEX NUT	6
33	M8	WASHER	6
12	210-10457 REV 7	PERANO 107 CHASSIS	1
8	202-5183 REV 1	W.A. PERANO 107 DOOR	1
2	202-1574 REV 4	W.A. PERANO 207 MAIN BODY	1
ITEM NO.	PART NUMBER	DESCRIPTION	QTY.

BRANCH CONTACT DETAILS

Johannesburg 010 202 3300
Germiston 011 418 9600
Cape Town 021 510 0710
Pinetown 031 700 4215
Riverhorse 031 492 4800

NATIONAL CALL CENTRE

Sales 010 202 3400
Technical 010 202 3500

www.acdc.co.za