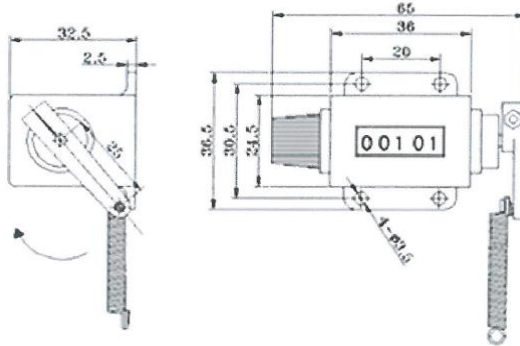


Product SPECIFICATION SHEET

ACDC
DYNAMICS
www.acdc.co.za

JJ-101



Digital specification	mm:4X2 height X width 4X2
MAX calculated Capacity	00000--99999
Transmission Ratio	1:1
Torque	8NGm
traveling angle (right axle right pendulum)	38—43°
Calculating speed	500C/s
Reset mode	Rotary kiln
Weight	20G

BRANCH CONTACT DETAILS

Johannesburg 010 202 3300
Germiston 011 418 9600
Cape Town 021 510 0710
Pinetown 031 700 4215
Riverhorse 031 492 4800

NATIONAL CALL CENTRE

Sales 010 202 3400
Technical 010 202 3500

www.acdc.co.za