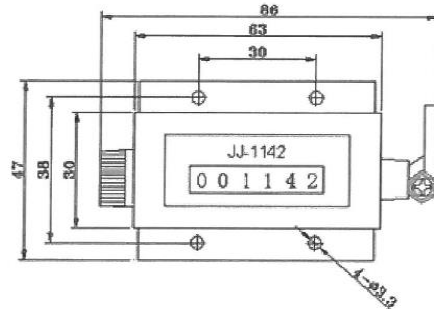
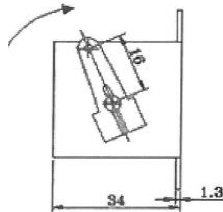
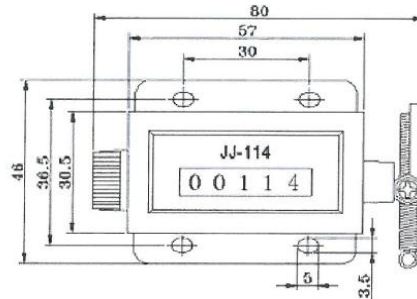
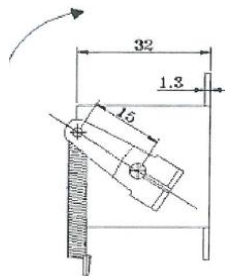


Product SPECIFICATION SHEET

JJ-1142, JJ-114



Digital specification	mm:4.4X2 height X width 4.4X2
MAX calculated Capacity	000000--999999
Transmission Ratio	1:1
Torque	8NGm
traveling angle (right axle right pendulum)	38--43C
Count rate	500C/s
Reset mode	Rotary kiln
Weight	80G



Digital specification	mm:4.4X3 height X width 4.4X3
MAX. Capacity	00000--99999
Transmission Ratio	1:1
Torque	8NGm
Rotating angle (right axle right pendulum)	38--43C
Calculating speed	500C/s
Reset mode	Rotary kiln
Weight	60G

BRANCH CONTACT DETAILS

Johannesburg 010 202 3300
Germiston 011 418 9600
Cape Town 021 510 0710
Pinetown 031 700 4215
Riverhorse 031 492 4800

NATIONAL CALL CENTRE

Sales 010 202 3400
Technical 010 202 3500

www.acdc.co.za