




# WATERTIGHT JUNCTION BOXES

## SQUARE PRESS-ON LID - IP54 □65x65 - □80x80

### TECHNICAL DATA SHEET

Directive	LVD 2014/35/EU				
Standards Amends	EN 60670-1:2005+A1:2013 Boxes and Enclosures, Electrical Installations EN 60670-22:2006 Boxes and Enclosures, Particular Requirements EN 60529 Degrees of Protection , Enclosures, IP Rate				
RoHS Compliant	2022/95/EC Restriction of Hazardous substances, RoHS				
Applications	Indoor – Outdoor - Residential – Industrial Plastic Junction box with Press-On Lid Wiring, Junction or Extension With flexible Glands, entries for Accessories - Conduits - Cables				
Installations	Exposed – Wall mounted				
	Wiring, Power, Lighting, Automation, Telecom, CCTV, 				
Material	Polyvinyl Chloride > U-PVC				
Characteristics	IP Rate	Solid	5	Water	4
	Glow Wire Test	850 °C			
	Resistance - UV	R			
	Resistance - Chemicals	R			
	Resistance - Fire	FR-SE			
	Dielectric Strength	400V			
	Temperature range	-15 °C		+60 °C	
	Color.1	Grey RAL7035	Color.2	White	



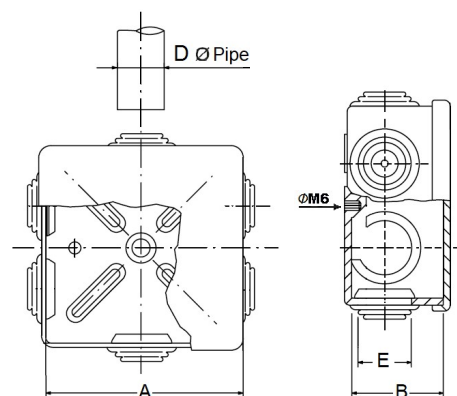
# WATERTIGHT JUNCTION BOXES

## SQUARE PRESS-ON LID - IP54

### 65x65



TYPE	65x65 G	65x65 W
CODE	32-210 03-656	-
A Ø_mm	65	65
B / mm	40	40
D Pipe OD Ø_mm	16/20	16/20
E Entries Ø_mm	23	23
COLOR	Grey RAL7035	White RAL9010
PACKING / pcs	60	60



## SQUARE PRESS-ON LID - IP54

### 80x80



TYPE	80x80 G	80x80 W
CODE	32-210 04-808	32-210 22-808
A Ø_mm	80	80
B / mm	40	40
D Pipe OD Ø_mm	16/20	16/20
E Entries Ø_mm	23	23
COLOR	Gray RAL7035	White RAL9010
PACKING / pcs	60	60

