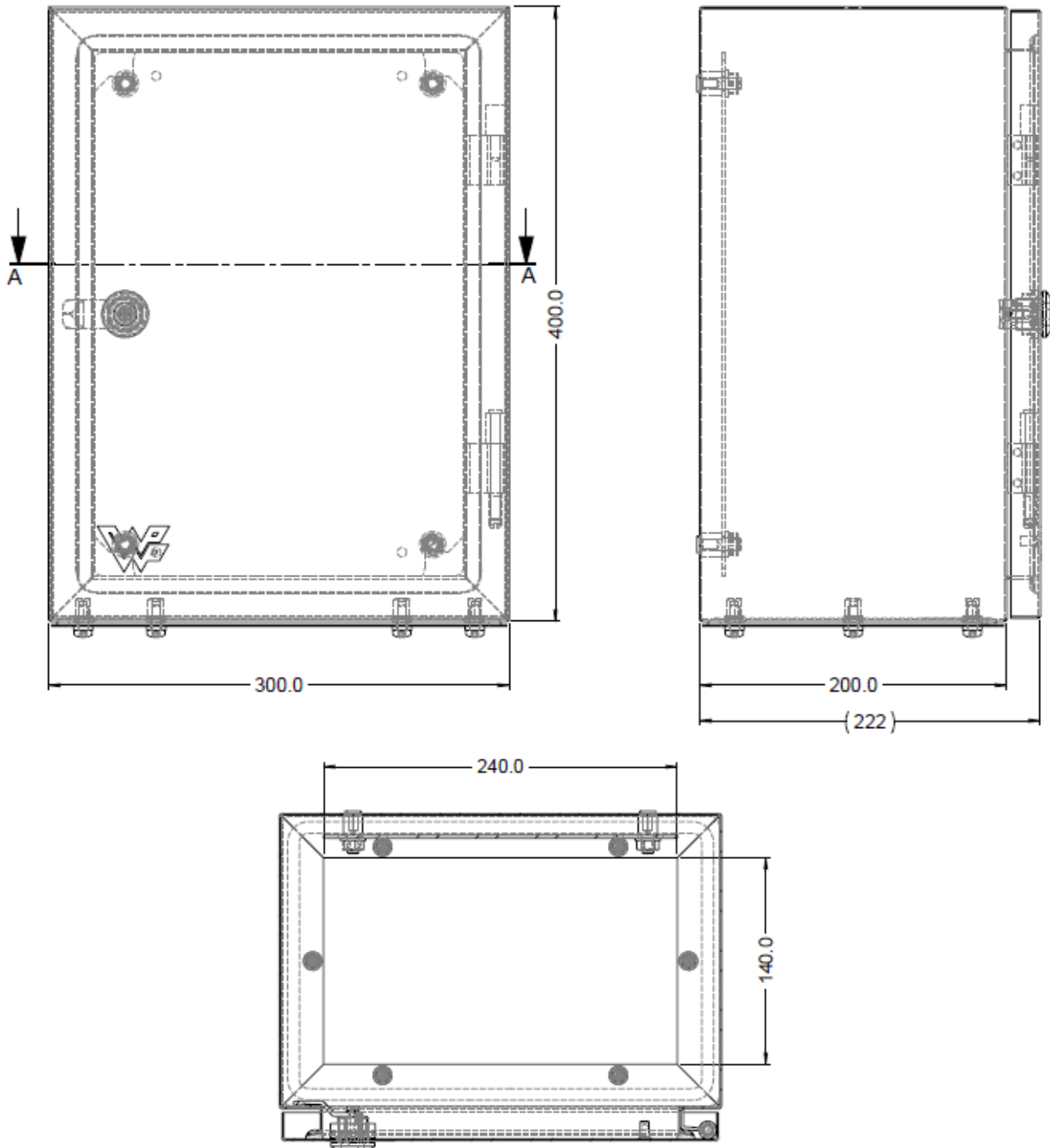


Product SPECIFICATION SHEET

WALL MOUNTING STEEL ENCLOSURE 400x300x220



SECTION A-A
SCALE 1 : 3

BRANCH CONTACT DETAILS

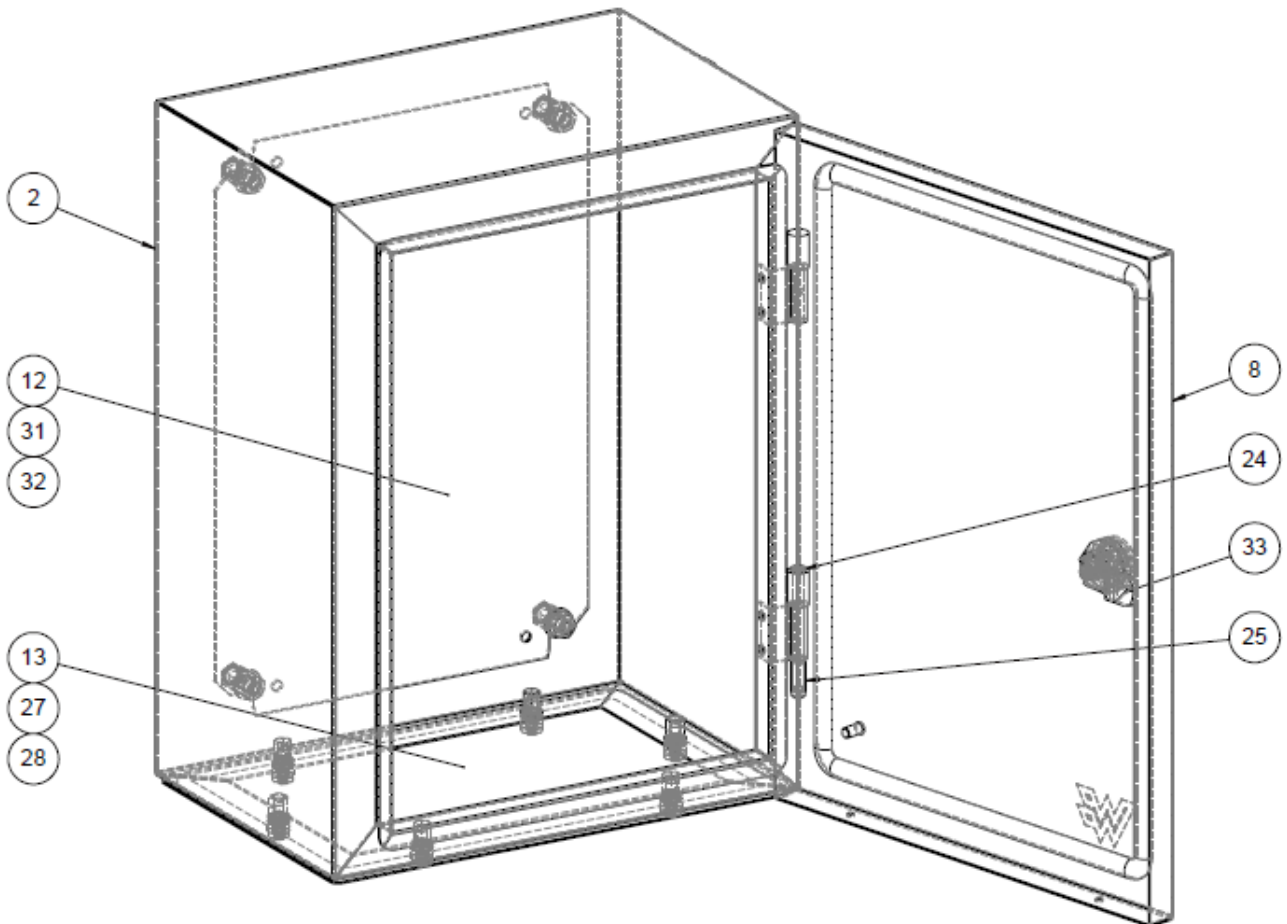
Johannesburg	010 202 3300
Germiston	011 418 9600
Cape Town	021 510 0710
Pinetown	031 700 4215
Riverhorse	031 492 4800

NATIONAL CALL CENTRE

Sales 010 202 3400
Technical 010 202 3500

www.acdc.co.za

Product SPECIFICATION SHEET



33	25.5.201.04	IP65 LOCK 6mm SQ	1
32	M8 STST	HEX NUT	4
31	M8 STST	FLAT WASHER	4
28	M6 x 16mm STST	PAN HEAD POZI	6
27	M6	RUBBER WASHER	6
25	100-23594	PIN RETAINER	1
24	100-24104S	HINGE PIN	1
13	212-21228 REV 3	GLAND PLATE ME-2	1
12	210-16832 REV 8	PERANO 552 CHASSIS	1
8	202-4496 REV 4	W.A. ME-2 DOOR 3CR12	1
2	202-4341 REV 5	W.A. MAIN BODY ME-2	1
ITEM NO.	PART NUMBER	DESCRIPTION	QTY.

BRANCH CONTACT DETAILS

Johannesburg 010 202 3300
 Germiston 011 418 9600
 Cape Town 021 510 0710
 Pinetown 031 700 4215
 Riverhorse 031 492 4800

NATIONAL CALL CENTRE

Sales 010 202 3400
 Technical 010 202 3500

www.acdc.co.za