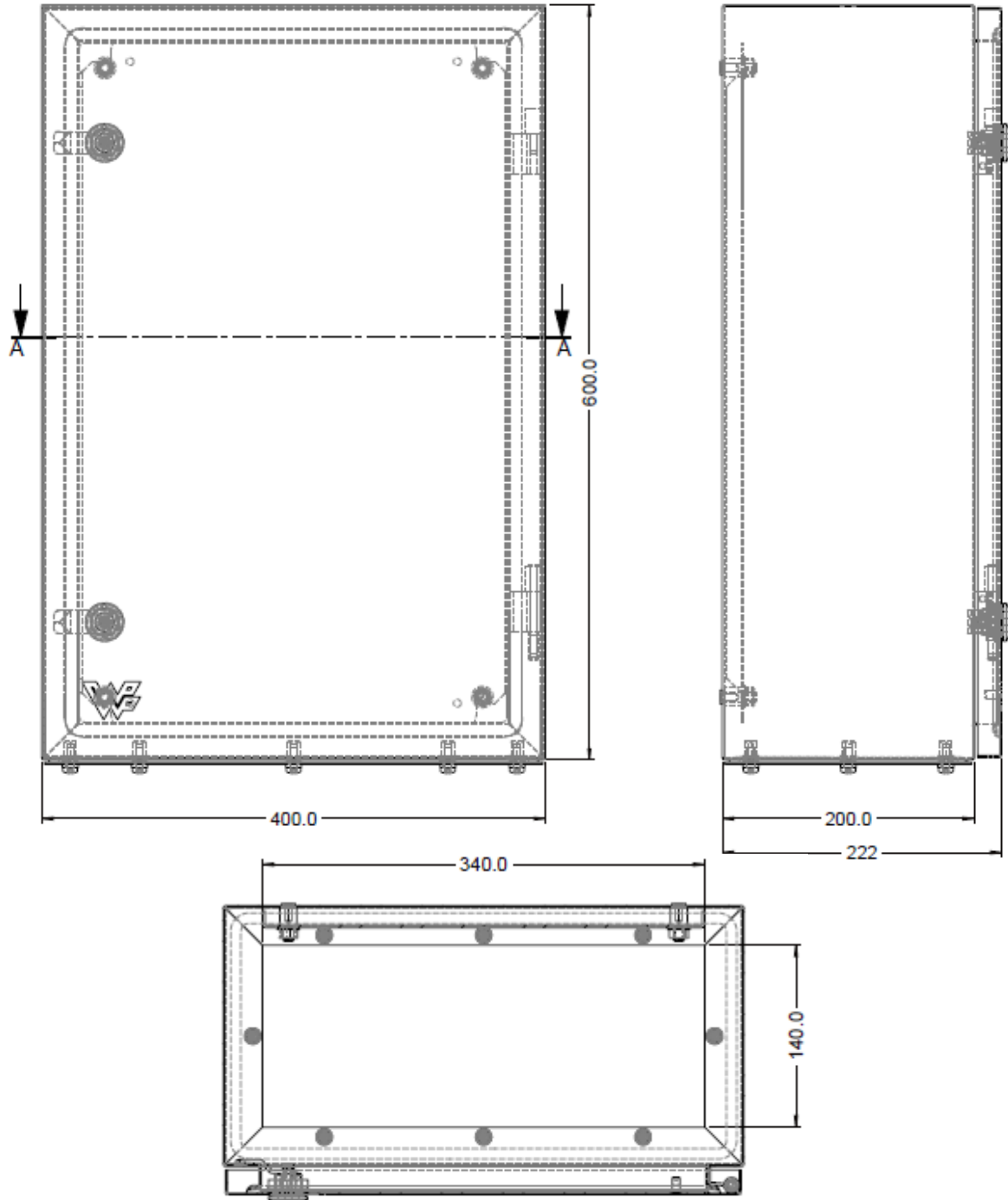


# Product SPECIFICATION SHEET

## WALL MOUNTING STEEL ENCLOSURE 600x400x220



SECTION A-A  
SCALE 1 : 3.5

### BRANCH CONTACT DETAILS

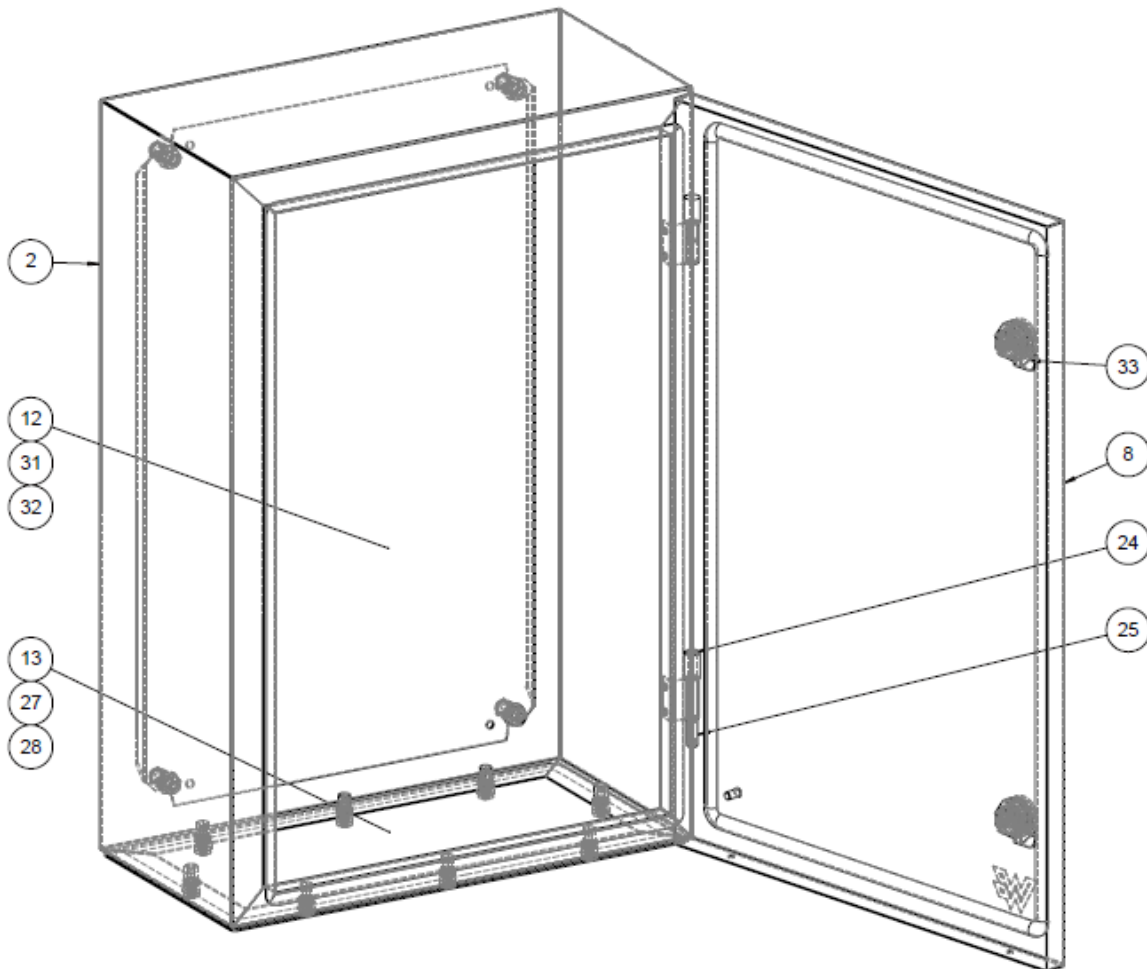
Johannesburg	010 202 3300
Germiston	011 418 9600
Cape Town	021 510 0710
Pinetown	031 700 4215
Riverhorse	031 492 4800

### NATIONAL CALL CENTRE

Sales 010 202 3400  
Technical 010 202 3500

[www.acdc.co.za](http://www.acdc.co.za)

# Product SPECIFICATION SHEET



33	25.5.201.04	IP65 LOCK 6mm SQ	2
32	M8 STST	HEX NUT	4
31	M8 STST	FLAT WASHER	4
28	M6 x 16mm STST	PAN HEAD POZI	8
27	M6	RUBBER WASHER	8
25	100-23594	PIN RETAINER	1
24	100-24104S	HINGE PIN	1
13	212-21112 REV 3	GLAND PLATE ME-3	1
12	210-16835 REV 5	PERANO 554 CHASSIS	1
8	202-4500 REV 5	W.A. ME-4 DOOR 3CR12	1
2	202-4339 REV 4	W.A. MAIN BODY ME-4	1
ITEM NO.	PART NUMBER	DESCRIPTION	QTY.

#### BRANCH CONTACT DETAILS

Johannesburg 010 202 3300  
 Germiston 011 418 9600  
 Cape Town 021 510 0710  
 Pinetown 031 700 4215  
 Riverhorse 031 492 4800

#### NATIONAL CALL CENTRE

Sales 010 202 3400  
 Technical 010 202 3500

[www.acdc.co.za](http://www.acdc.co.za)