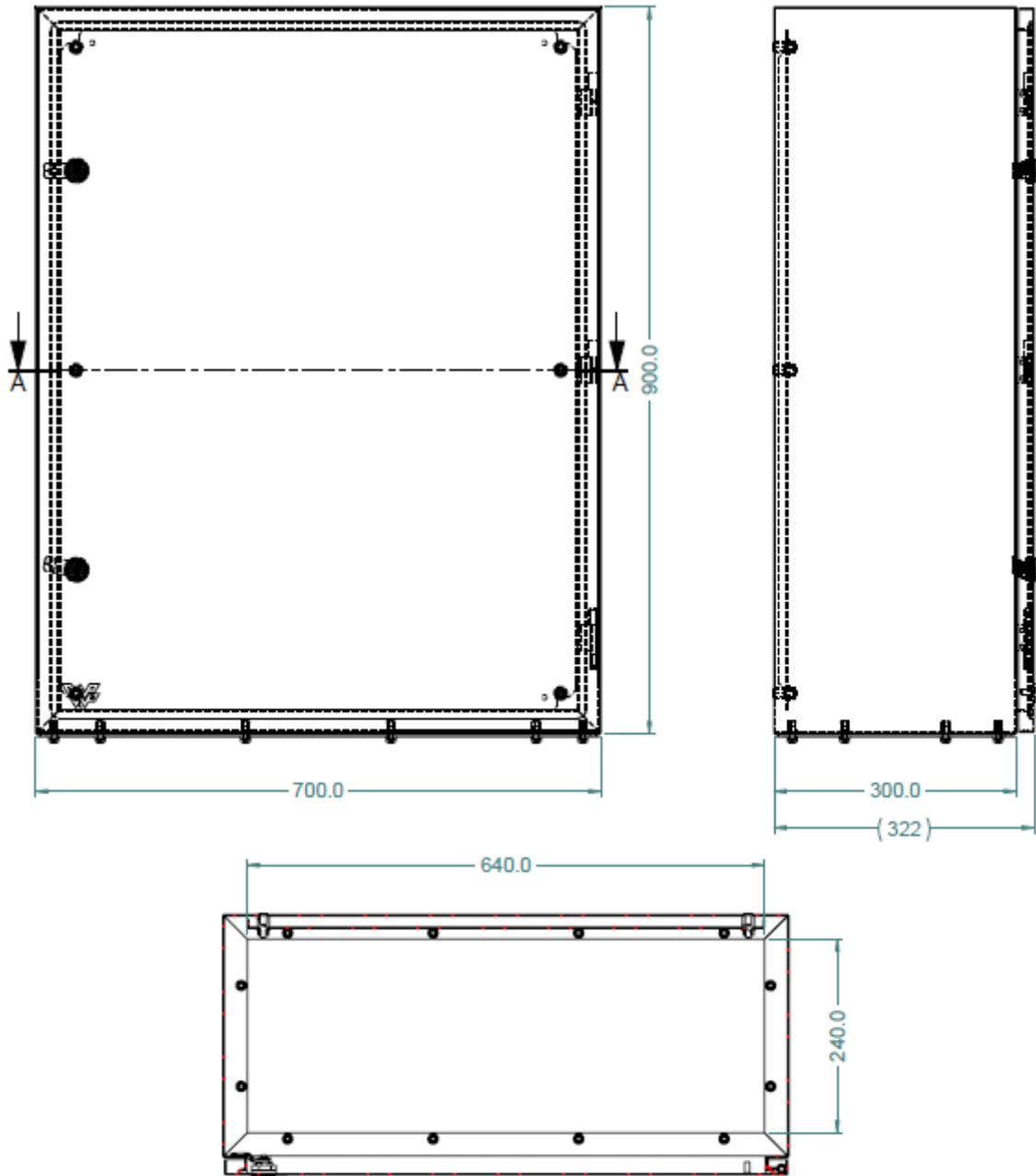


Product SPECIFICATION SHEET

WALL MOUNTING STEEL ENCLOSURE 900x700x320



SECTION A-A
SCALE 1 : 6

BRANCH CONTACT DETAILS

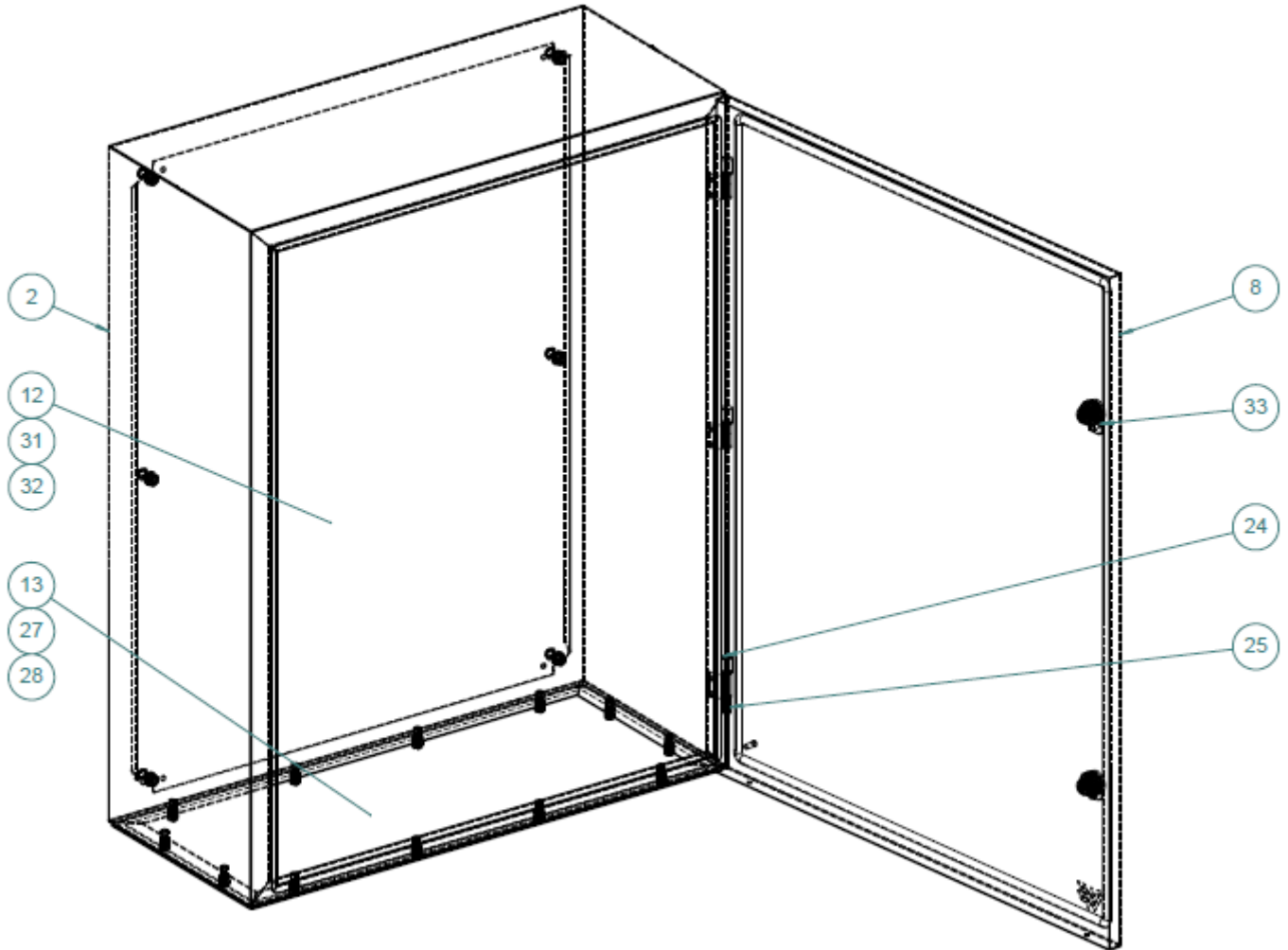
Johannesburg	010 202 3300
Germiston	011 418 9600
Cape Town	021 510 0710
Pinetown	031 700 4215
Riverhorse	031 492 4800

NATIONAL CALL CENTRE

Sales 010 202 3400
Technical 010 202 3500

www.acdc.co.za

Product SPECIFICATION SHEET



33	22.SS.651.11	S/S IP65 LOCK 6mm SQ	2
32	M8	HEX NUT	6
31	M8	FLAT WASHER	6
28	M6 x 16mm SS	PAN HEAD POZI	12
27	M6	RUBBER WASHER	12
25	100-23594	PIN RETAINER	1
24	100-24014	HINGE PIN	1
13	212-21141 REV 4	GLAND PLATE ME-8	1
12	210-16840 REV 7	CHASSIS ME-8	1
8	202-4513 REV 5	W.A. DOOR ME-8 304-316	1
2	202-4331 REV 5	W.A. MAIN BODY ME-8	1
ITEM NO.	PART NUMBER	DESCRIPTION	QTY.

BRANCH CONTACT DETAILS

Johannesburg 010 202 3300
 Germiston 011 418 9600
 Cape Town 021 510 0710
 Pinetown 031 700 4215
 Riverhorse 031 492 4800

NATIONAL CALL CENTRE

Sales 010 202 3400
 Technical 010 202 3500

www.acdc.co.za