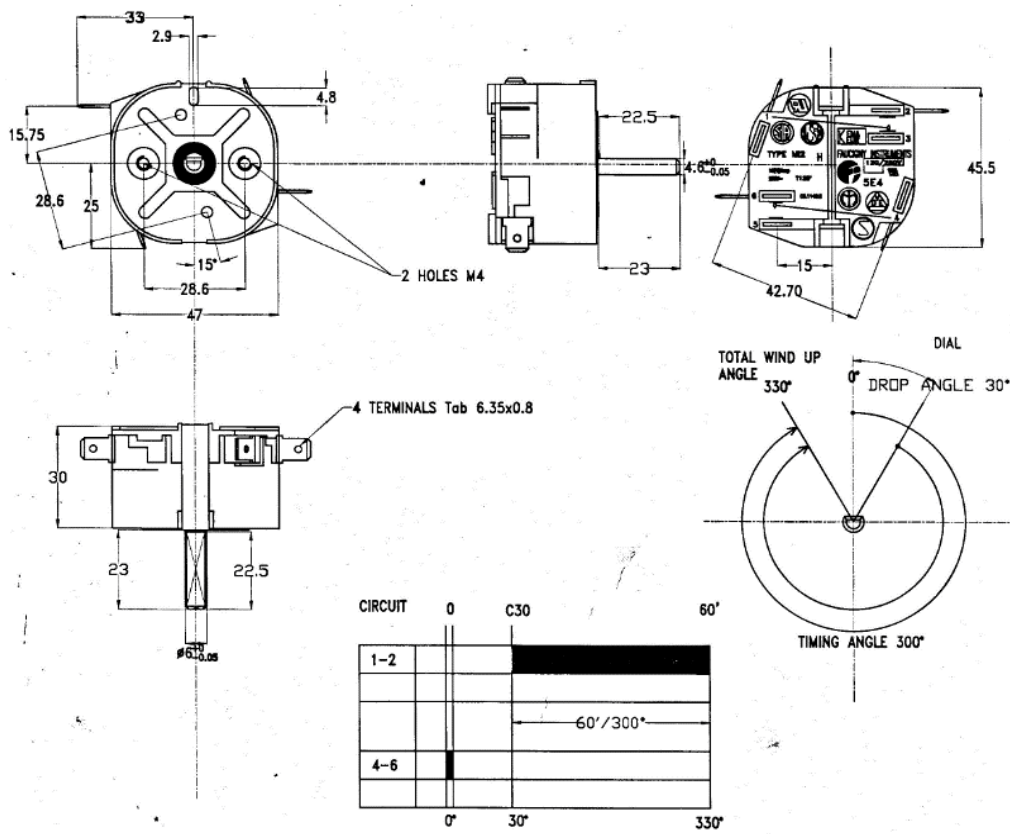


Product SPECIFICATION SHEET

MI-4 60M



ELECTRICAL CHARACTERISTICS

standard switch : CEE 24
 Rated amperage : 16(4) A
 Rated voltage : 250 V
 Type of current : Vac
 Switch configuration: DPST
 Switch for appliance class II
 Number of electrical operations : 10 000
 connections terminal : 6.35 x 0.8

MECHANICAL CHARACTERISTICS

Winding torque : 1.5 to 4.5 Kg.cm
 Return torque to zero position: 1 to 4.5 Kg.cm
 Number of cycles : 10 000
 timing : 60°
 timing range : ±5%

Residual operating torque : 0.1 Kg.cm
 Torque of manual position : /

THERMAL CHARACTERISTICS

Maximum temperature of use : 125° C

APPROVALS

UL- SEMKO- UTE- VDE- CSA- IMQ- BEAB- KEMA
 16A 250V AC RESISTIVE
 4A 250V AC INDUCTIVE

MARKING ON BACK CASE

Type MI2

T= 125°C
 Identification of terminals

MARKING

Label of the timer : 4 numbers
 week of production : 2 numbers
 Year of production : 2 numbers

BRANCH CONTACT DETAILS
 Johannesburg 010 202 3300
 Germiston 011 418 9600
 Cape Town 021 510 0710
 Pinetown 031 700 4215
 Riverhorse 031 492 4800

NATIONAL CALL CENTRE
 Sales 010 202 3400
 Technical 010 202 3500
 www.acdc.co.za