



A robust cast aluminium siren with a epoxy based coating finish, suitable for outdoor. The siren has a continuous rated motor with thermal protection and comes with 2 x M20 glands to ensure safe and easy installation. The Sirenco Mono siren originated from the old Banshee Mono within the Banshee range of sirens and has been on the market since 1985.

A reliable siren with a 2-year guarantee*

Typical applications:

Outdoor & Indoor signalling applications where a durable siren is required, open air plants or factories, pre-start up warning in automated plants and on conveyor belts, Fire alarm or evacuation for buildings and fire/evacuation alarm for buildings and as a school bell.

SHORT RANGE SIREN   

Sirenco MONO

SPECIFICATIONS

VOLTAGE	12VAC/DC 24VAC/DC 110VAC/DC 220VAC/DC
DUTY CYCLE	Continuous Rated
SOUND OUTPUT	123dB(A) at 1m
SOUND FREQUENCY	1600Hz
APP. RANGE	1 000m in still air on open field
MOTOR	200W @ 9000rpm
CURRENT CONSUMPTION	2V - 10.6A 24V - 7.5A 110V - 1.0A 220V - 0.7A
IP RATING	IP 65
WEIGHT	1.66kg
PACKING DIMENSIONS	150mm x 150mm x 190mm

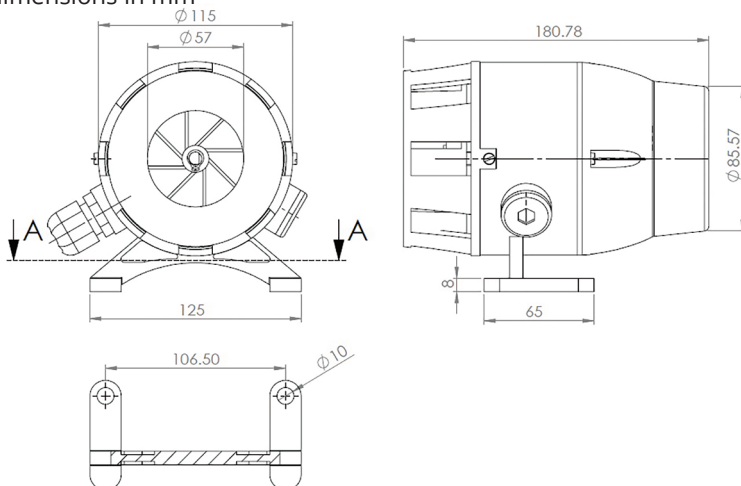
NOTES |

PRODUCT CODES

Code	BMMS012	BMMS024	BMMS110	BMMS220					
Detail	12Vac/dc	24Vac/dc	110Vac/dc	220Vac/dc					

TECHNICAL DRAWINGS

All dimensions in mm



SECTION A-A
SCALE 1 : 2

OPTIONAL EXTRAS

Finger Guard



School & Factory Timer

