



Combining audible and visual signalling, this combination unit has all the features of the Mono siren with the reliability of the LED beacon. The beacon can operate in conjunction with the siren or the separately depending on how it is installed

Comes with a 2-year guarantee\*

**Typical applications:**

In areas where a beacon is required in addition to the siren, when the siren is required to alert the users and once identified, the siren can be switched off, but the beacon will on, in areas were some employees use hearing protection.

COMBINATION UNITS CE

# Sirenco MONO Combo

## SPECIFICATIONS

|                     |  |
|---------------------|--|
| VOLTAGE             | 12VDC   24VDC   110VAC   220VAC                        |
| DUTY CYCLE          | Continuous Rated                                       |
| SOUND OUTPUT        | 123dB(A) at 1m   |
| SOUND FREQUENCY     | 950 - 1200Hz   |
| APP. RANGE          | 1000m in still air on open field                       |
| CURRENT CONSUMPTION | 12VDC - 10A   24VDC - 6A   110VAC - 2A   220VAC - 1.5A |
| LIGHT SOURCE        | 9W LED - 40 SMD 360 °                                  |
| IP RATING           | IP 65  |
| WEIGHT              | 2.5kg  |
| PACKING DIMENSIONS  | 150mm x 150mm x 390mm                                  |

NOTES | Available with a Amber, Red, Green or Blue LED light

## PRODUCT CODES

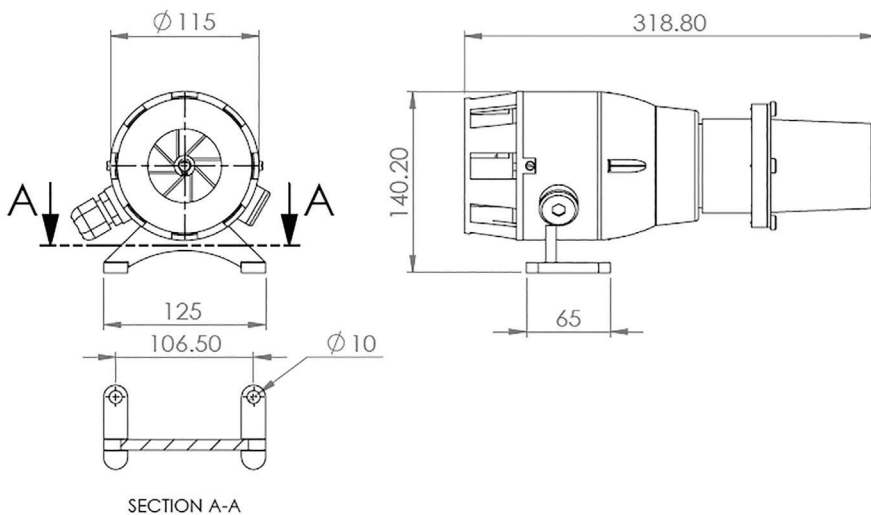
**Code** BCSL(x\*)01 BCSL(x\*)02 BCSL(x\*)04 BCSL(x\*)05

**Detail** 12V 24V 110V 220V

\* x = A for Amber / B for Blue / G for Green / R for Red

## TECHNICAL DRAWINGS

All dimensions in mm



## OPTIONAL EXTRAS

Finger Guard



School & Factory Timer

