



AS36F-LS 2Z
(36.02)



AS36F-LS 3Z
(36.03)



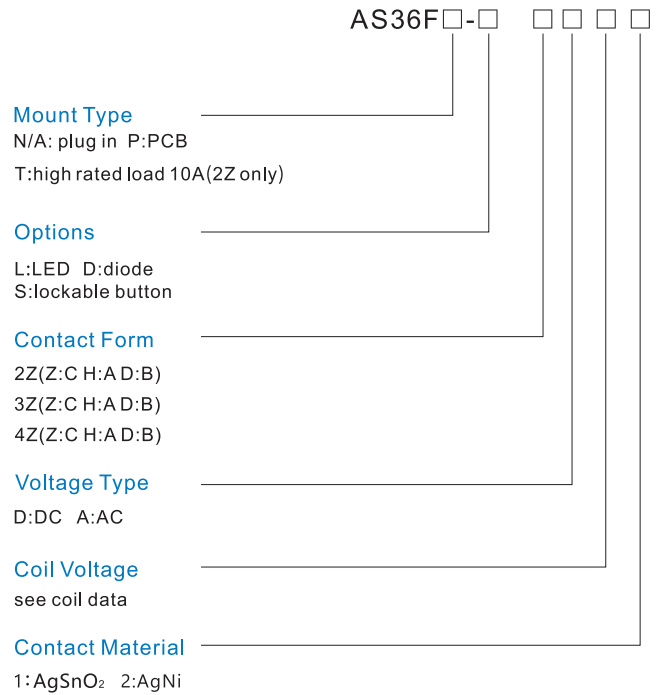
AS36F-LS 4Z
(36.04)



Features

- ◆ with LED indicator,
- ◆ with lockable test button and inspection window
- ◆ rated load 5A , AS36FT 2Z rated load 10A

Ordering Information



Notes:We has now gradually updated our ordering information. We suggest new type should be selected. If necessary, old type can be kept for some period for the old customers.

Specifications

	Contact Form	2Z	3Z	4Z
Contact	Rated Load	5A 、 10A 250VAC/30VDC	5A 250VAC/30VDC	
	Electrical/Mechanical Life	≥100000times/1000000times		
	Initial Contact Resistance	≤100MΩ (1A 6VDC)		
	Contact Material	AgSnO ₂ AgNi		
	Characteristics	Insulation Resistance	≥500MΩ (500VDC)	
Dielectric Strength		Between open contacts≥1000VAC/1min		
		Between poles≥1500VAC/1min		
		Between contact and coil ≥1500VAC/1min		
	Operate/Release Time	≤25ms/25ms		
	Terminal Type	Plug in/PCB		
Coil	Operating PowerDC/AC	0.9W/1.2VA		

DC Coil Data

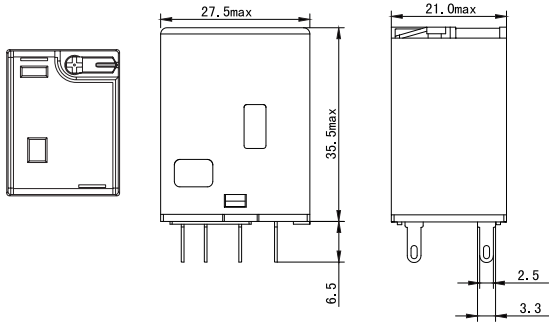
Rated Voltage VDC	Pickup Voltage VDC	Dropout Voltage VDC	Coil Resistance Ω±10%
5	4.0	0.5	28
6	4.8	0.6	40
12	9.6	1.2	160
24	19.2	2.4	650
48	38.4	4.8	2560
110	88.0	11.0	11000

AC Coil Data

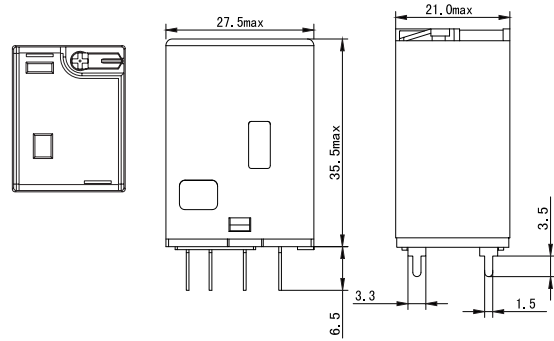
Rated Voltage VAC	Pickup Voltage VAC	Dropout Voltage VAC	Coil Resistance Ω±10%
6	4.80	1.80	10.5
12	9.60	3.60	46.5
24	19.2	7.20	192
48	38.4	14.4	783
110/120	88.0	33.0	4000
220/240	176.0	66.0	15000

Dimensions (mm)

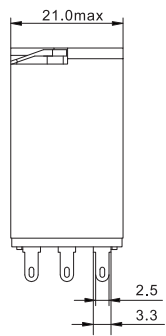
AS36F 2Z



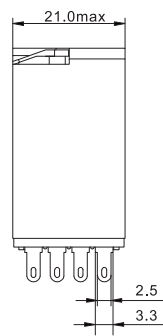
AS36FP 2Z (PCB Mount)



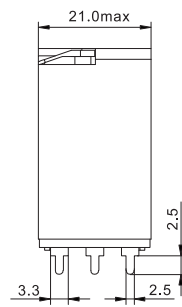
AS36F 3Z



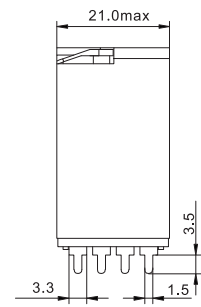
AS36F 4Z



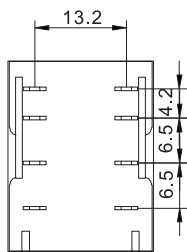
AS36FP 3Z (PCB Mount)



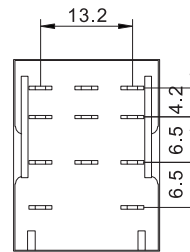
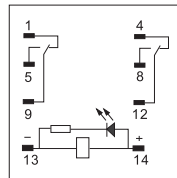
AS36FP 4Z (PCB Mount)



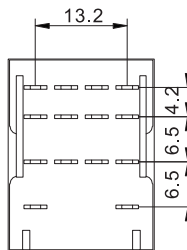
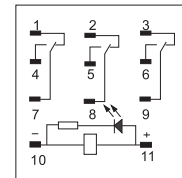
Wiring Diagrams



AS36F 2Z/AS36FT 2Z



AS36F 3Z



AS36F 4Z

