

PRODUCT SPECIFICATION SHEET

MIDSIZE BEACONS

Husky Pup RB4XMV/2P



CE – certified to EMC directive 89/336/EEC.
 Complies with low voltage directive 2006/95/EC.
 High voltage transient and polarity reversal protected.
 Operating temperature: -20°C to + 55°C.
 Beacon should be operated in a vertical position with lens uppermost.

						
1fcd (light amber)	75 flashes/min	10-100Vdc 20-72Vac	145mA	40mA	IP65	0.4kg

Features:

- A bright, multivoltage 2W Xenon beacon.
- Multivoltage 10 – 100 Vdc, 20 – 72 Vac
 - Bright, intense Xenon flash
 - Ultra-low power consumption
 - 3,000+ hours tube life, 12 months' guarantee
 - Weatherproof to IP65

Product options:

- Sounder plinth, fixes to base of beacon

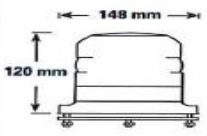
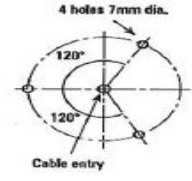



FX29 Sounder Plinth
 Part No. 521047

Materials:

Polycarbonate lens, ABS base.

Lens Colour	Three Bolt	Pole Mount
Amber	469040	469082
Red	469041	–
Blue	469042	–
Clear	469039	–
Green	469043	–

	<p>Drilling for Panel Mounting (ISO 4148)</p> <p>4 holes 7mm dia.</p>  <p>Cable entry</p> <p>130 mm dia.</p>	
---	--	--