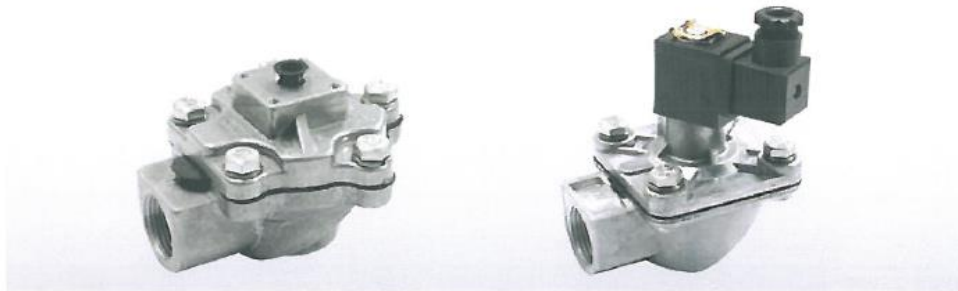


Product SPECIFICATION SHEET



RDA20, RDA25

DIAPHRAGM VALVES WITH FEMALE THREAD(NBR DIAPHRAGM)



DESCRIPTION

Fast response, large flow volume, effective cleaning action on fabric filter.
 Low air consumption.
 Compatible with programmable sequential controller.
 Ease of adjustment in jet pulse timing and duration.

APPLICATION

Pulse cleaning and filtering system in dust collectors, also suitable for filter bags, filter barrels, flat bags, ceramic tubes and filter bags for metal fiber.

ORDER INFORMATION

RDA - SC

Connection size _____

Single diaphragm— 20: 3/4" PT 25: 1" PT 40: 1-1/2" PT
 Double diaphragm— 42: 1-1/2" PT 52: 2" PT 62: 2-1/2" PT 72: 3" PT

Power supply for integrated pilot _____

Lead wire----- 1: 110Vac 2: 220Vac

BRANCH CONTACT DETAILS

Johannesburg	010 202 3300
Germiston	011 418 9600
Cape Town	021 510 0710
Pinetown	031 700 4215
Riverhorse	031 492 4800

NATIONAL CALL CENTRE

Sales	010 202 3400
Technical	010 202 3500

www.acdc.co.za

Product SPECIFICATION SHEET



RDA20, RDA25

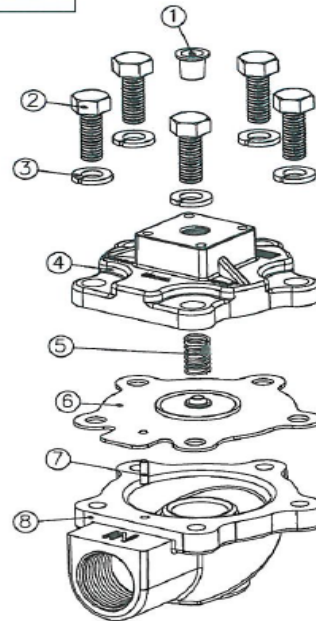
GENERAL FEATURES

Fluids : Air filtered and oil free air
 Diaphragm material: NBR
 Operation temp. : -20 ~ 85°C
 Ambient temp. : -20 ~ 60°C

NO.	
1	Plastic plug
2	Hexagon cover screws
3	Spring washer
4	Top cover
5	Spring
6	Diaphragm
7	Air passage
8	Body

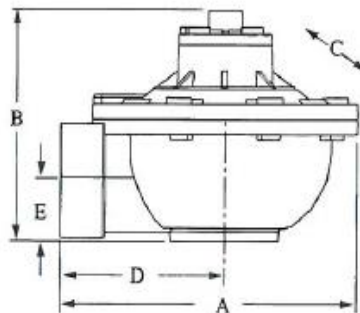
ELECTRICAL FEATURES

Coil insulation : Class F (155°C)
 Connector spec. : Flying leads (DIN 43650A)
 Electrical equipment: EN 60204.1 and VDE 0580
 Electrical protection : IP65 (EN 60529)
 Standard voltages : 24Vdc ± 10%,
 110Vac ± 10%, 50/60Hz
 220Vac ± 10%, 50/60Hz
 Power consumption : 12W for 24Vdc
 AC---17VA/50Hz
 AC---14.5VA/60Hz
 Ambient temp. : -20 ~ 50°C



CONSTRUCTION

Cover : Aluminum
 Body : Aluminum



Model	A		B		C (wide)		D		E	
	inch	mm	inch	mm	inch	mm	inch	mm	inch	mm
RDA-20SC	3.95	100	2.97	75	3.44	87	2.19	56	0.78	20
RDA-25SC	4.13	105	3	76	3.25	83	2.50	64	0.87	22

Model	Orifice (inch)	Number (Diaphragm)	Flow factor Kv (m³/h)	Flow factor Cv (gal/min)	Operating pressure (Bar)	Weight (g)
RDA-20SC	3/4"	1	12.04	14	0.3 ~ 8.6	420
RDA-25SC	1"	1	19.78	23	0.3 ~ 8.6	520

BRANCH CONTACT DETAILS
 Johannesburg 010 202 3300
 Germiston 011 418 9600
 Cape Town 021 510 0710
 Pinetown 031 700 4215
 Riverhorse 031 492 4800

NATIONAL CALL CENTRE
 Sales 010 202 3400
 Technical 010 202 3500
www.acdc.co.za