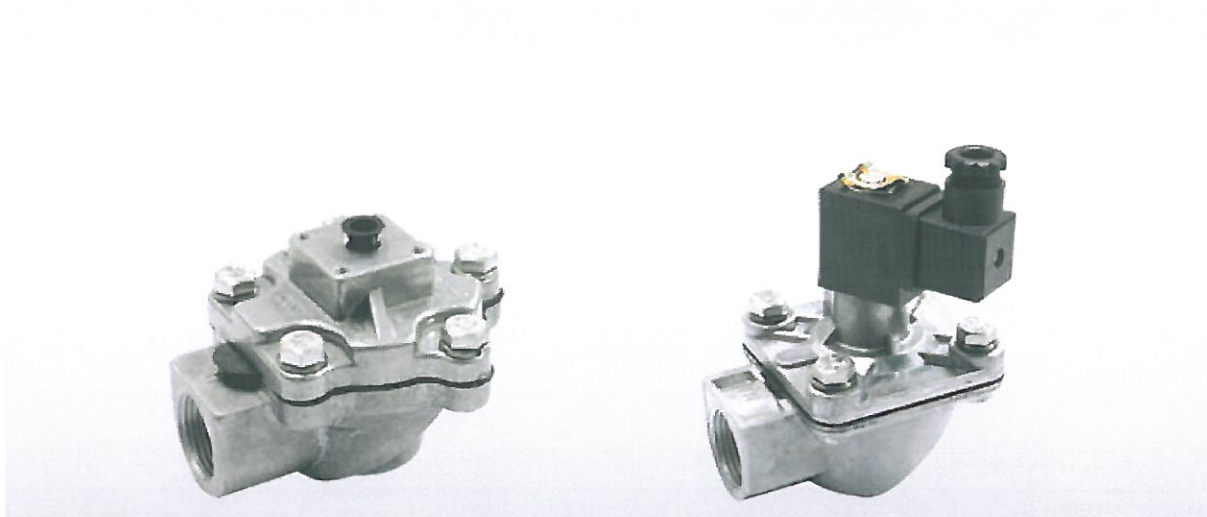


DIAPHRAGM VALVES WITH FEMALE THREAD(NBR DIAPHRAGM)



DESCRIPTION

Fast response, large flow volume, effective cleaning action on fabric filter.
 Low air consumption.
 Compatible with programmable sequential controller.
 Ease of adjustment in jet pulse timing and duration.

APPLICATION

Pulse cleaning and filtering system in dust collectors, also suitable for filter bags, filter barrels, flat bags, ceramic tubes and filter bags for metal fiber.

ORDER INFORMATION

RDA
~~BRD~~- SC

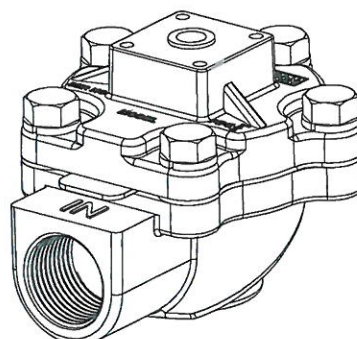
Connection size _____

Single diaphragm---- 20: 3/4" PT 25: 1" PT 40: 1-1/2" PT
 Double diaphragm--- 42: 1-1/2" PT 52: 2" PT 62: 2-1/2" PT 72: 3" PT

Power supply for integrated pilot _____

Lead wire----- 1: 110Vac 2: 220Vac 3: 24Vdc
 DIN connector---- 5: 110Vac 6: 220Vac 7: 24Vdc

DIAPHRAGM VALVES WITH FEMALE THREAD REMOTE TYPE



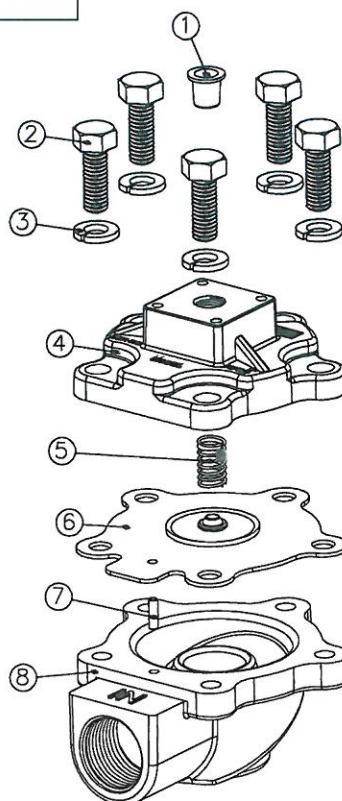
GENERAL FEATURES

Fluids : Air filtered and oil free air
 Diaphragm material : NBR
 Operation temp. : -20 ~ 85°C
 Ambient temp. : -20 ~ 60°C

ELECTRICAL FEATURES

Coil insulation : Class F (155°C)
 Connector spec. : Flying leads (DIN 43650A)
 Electrical equipment : EN 60204.1 and VDE 0580
 Electrical protection : IP65 (EN 60529)
 Standard voltages : 24Vdc ± 10%,
 110Vac ± 10%, 50/60Hz
 220Vac ± 10%, 50/60Hz
 Power consumption : 12W for 24Vdc
 AC---17VA/50Hz
 AC---14.5VA/60Hz
 Ambient temp. : -20 ~ 50°C

NO.	
1	Plastic plug
2	Hexagon cover screws
3	Spring washer
4	Top cover
5	Spring
6	Diaphragm
7	Air passage
8	Body



CONSTRUCTION

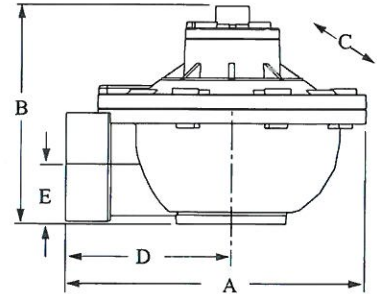
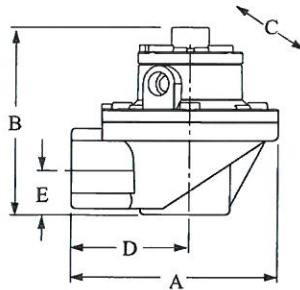
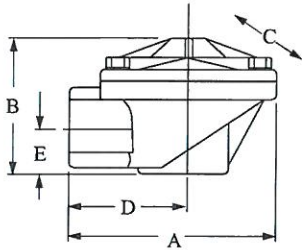
Cover : Aluminum
 Body : Aluminum

DIAPHRAGM VALVES WITH FEMALE THREAD REMOTE TYPE

Model: BRD-□□SC

Model: BRD-42SC

Model: BRD-□2SC



Model <i>RDA</i>	A		B		C (wide)		D		E	
	inch	mm	inch	mm	inch	mm	inch	mm	inch	mm
BRD-20SC	3.95	100	2.97	75	3.44	87	2.19	56	0.78	20
BRD-25SC	4.13	105	3	76	3.25	83	2.50	64	0.87	22
BRD-40SC	5.12	130	4.91	125	4.37	111	4.5	75	1.28	36
BRD-42SC	5.12	130	5.16	131	4.37	111	4.5	75	1.28	36
BRD-52SC	8.07	205	5.87	149	7.24	184	4.45	113	1.55	40
BRD-62SC	8.27	210	6.69	170	7.24	184	4.65	118	1.89	48
BRD-72SC	8.58	218	7.83	199	7.87	200	4.65	118	2.48	63

Model <i>RDA</i>	Orifice (inch)	Number (Diaphragm)	Flow factor Kv (m ³ /h)	Flow factor Cv (gal/min)	Operating pressure (Bar)	Weight (g)
BRD-20SC	3/4"	1	12.04	14	0.3 ~ 8.6	420
BRD-25SC	1"	1	19.78	23	0.3 ~ 8.6	520
BRD-40SC	1-1/2"	1	36.12	42	0.3 ~ 8.6	960
BRD-42SC	1-1/2"	2	43.86	51	0.3 ~ 8.6	1160
BRD-52SC	2"	2	91.16	106	0.3 ~ 8.6	2380
BRD-62SC	2-1/2"	2	116.96	136	0.3 ~ 8.6	2500
BRD-72SC	3"	2	143.62	167	0.3 ~ 8.6	3000