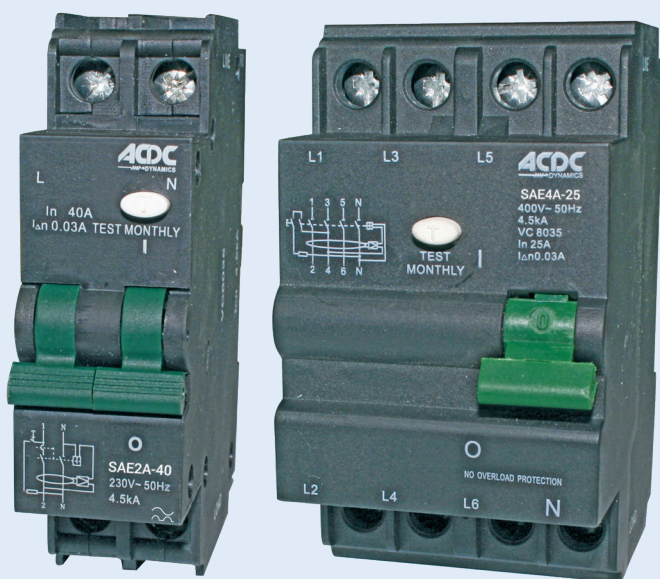


SAE ELECTROMAGNETIC RCCB TYPE A



TYPE A RCCB - EARTH LEAKAGE RELAY

GENERAL



Function

Protect people against indirect contacts and additional. Protection against direct contacts. Protect installations against fire hazard due to insulation faults. Residual current circuit breakers are used in housing Industry.

Selection

Detectable wave form

A class: Tripping is ensured for sinusoidal AC residual currents and for pulsed DC residual currents, whether applied suddenly or increasing slowly.

Tripping sensitivity

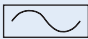

30mA - additional protection against direct contact

Tripping time

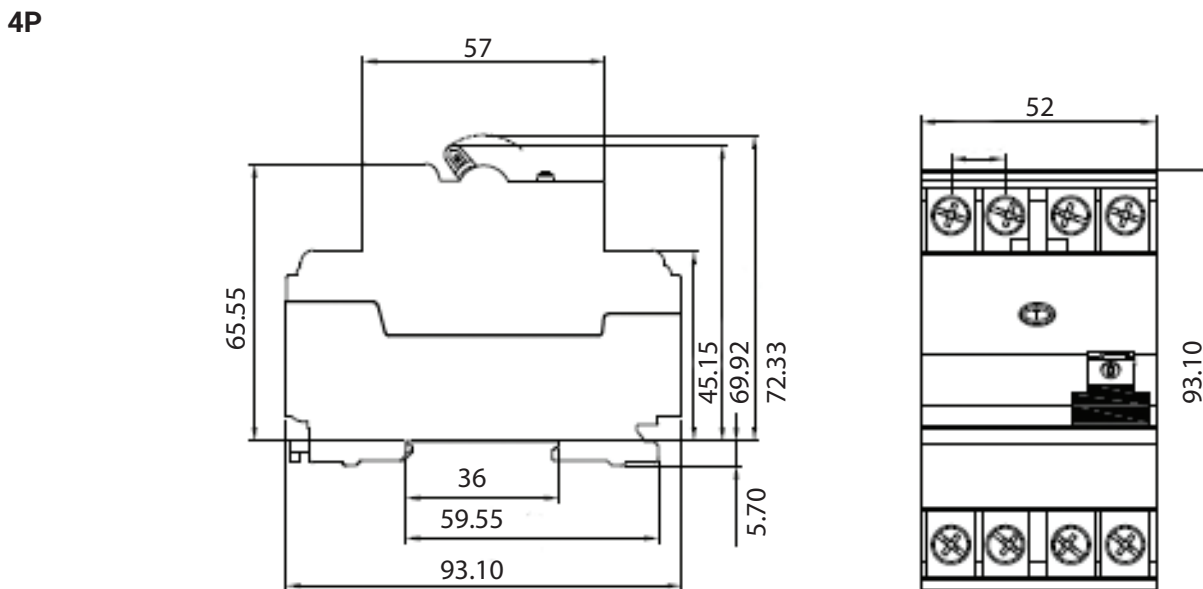
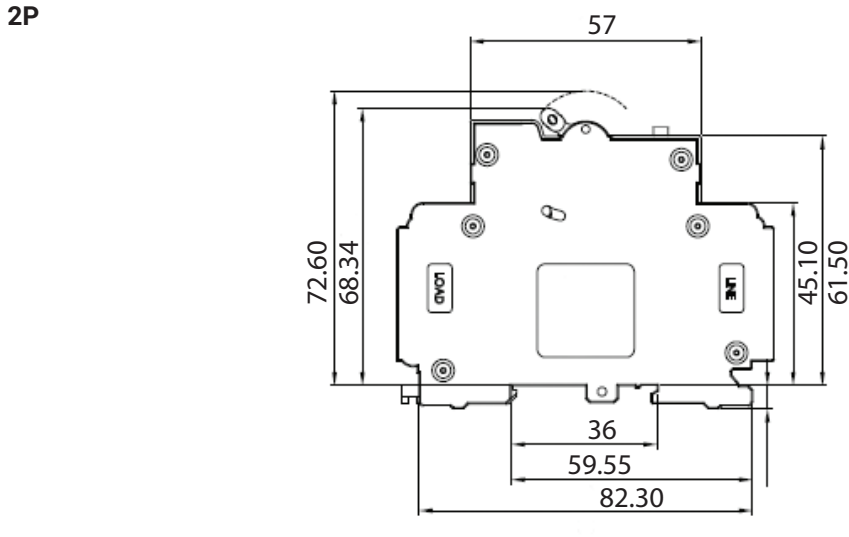
Instantaneous: It ensures instantaneous tripping (without time-delay)
Short time delay: It ensures any tripping at least 10ms
Selective: It ensures total discrimination with a nonselective RCD placed downstream.

Approvals

BUREAU VERITAS Laboratory test report reference No.: ACX-14MY02041ITSP.

RCD Type	AC	A
Residual Fault Current Type	 Sinusoidal alternating	 Sinusoidal alternating Pulsating
1. INSTANTANEOUS: First level of residual-current protection against direct and indirect contacts	√	√
2. IMPULSE RESISTANT: Prevention of untimely tripping caused by: <ul style="list-style-type: none"> • overvoltage due to indirect lightning strike (8/20us impulse current waveform up to 3000A) • overvoltages due to manœuvres on electrical network • overvoltages due to earth fault on three-phase system • permanent harmonics due to electronic devices (immunity to currents with frequency higher than 50Khz). 	-	√

OVERALL MOUNTING AND DIMENSIONS (mm)



TECHNICAL DATA

Electrical Features

Type (wave form of the earth leakage sensed)	A
Rated current in (A)	25, 40, 63
Rated sensitivity $I_{\Delta n}$ (A)	0, 03
Rated residual making and breaking capacity $I_{\Delta m}$ (A)	500($I_n = 25A/40A$), 630($I_n = 63A$)
Short-circuit current $I_{nc} = I_{\Delta c}$ (A)	4500
Break time under $I_{\Delta n}$ (Sec)	≤ 0.1 (Normal type)
Poles	2P, 4P
SA range modules width (mm)	2P - 26, 4P - 52
Rated Voltage U_e (V)	230/400
Insulation Voltage U_i (V)	400
Rated Frequency (Hz)	50/60Hz
Dielectric test voltage at ind. Freq. for 1 min (KV)	2.5
Rated impulse withstand voltage (1.2/50) U_{imp} (V)	4000
Pollution Degree	2

Mechanical Features

Electrical Life	2000
Mechanical life	2000
Protection degree	IP20
Ambient temperature (with daily average $\leq 35^\circ$ (°C))	-5...+40
Storage temperature (°C)	-25...+70

Installation

Terminal connection type	Cable/U-type busbar/Pin-type busbar
Terminal size top/ bottom for cable (mm ²)	25/35
Terminal size top/ bottom for bushbar (mm ²)	10
Tightening Torque (N.m)	2.5
Mounting	On mini rail or DIN rail by means of clip device
Connection	From top and bottom

COMPONENTS AND PARTS MATERIALS

• Outer casing: PA66 V2 • Contact: AgCdO • Electromagnetic Coil: Copper T2 • Arcing chute: 45#Steel Ni plating • Contact: Copper T2