

Product SPECIFICATION SHEET



VM Series



Application

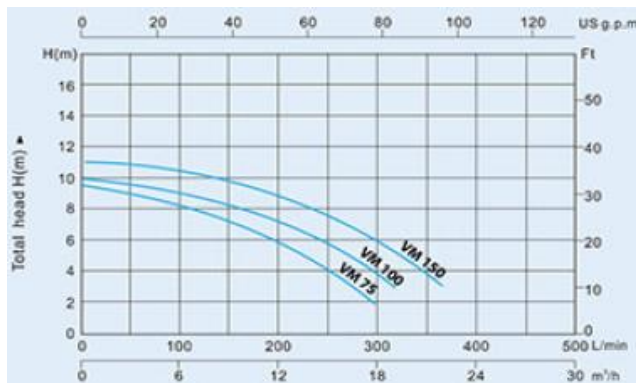
Recycling and filtering of water in hydromassage and Spa bathtubs

Materials

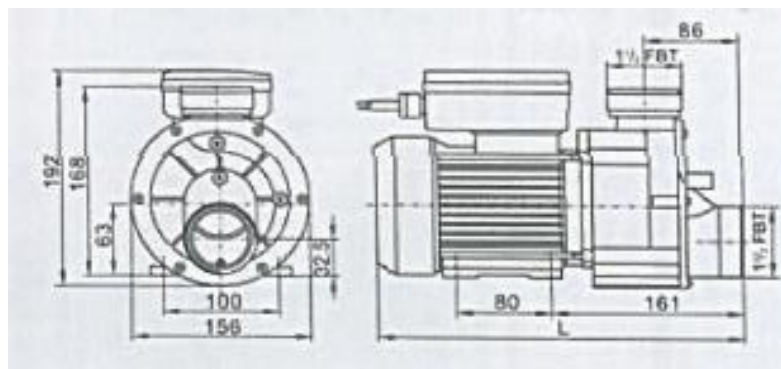
Pump body and diffuser:	Glass Loaded Polypropylene
Impeller:	Glass loaded Noryl
Mechanical seal:	Ceramic and Graphite
Shaft:	Stainless Steel
Motor Housing:	Aluminium

Motor

Motor:	2 Pole induction motor
Insulation:	Class F
Protection:	IPX5
Duty Cycle:	Continuous



Code	Voltage	Power		Amps	Max Head (m)	Max Flow (l/min)	In / Out (Inch)
		KW	HP				
VM75	230VAC	0,5	0,7	2,7	9	300	1½ x 1½
VM100	230VAC	0,7	1	3,7	10	320	1½ x 1½
VM120	230VAC	0,9	1,2	5,6	11	360	1½ x 1½



BRANCH CONTACT DETAILS

Johannesburg	010 202 3300
Germiston	011 418 9600
Cape Town	021 510 0710
Pinetown	031 700 4215
Riverhorse	031 492 4800

NATIONAL CALL CENTRE

Sales	010 202 3400
Technical	010 202 3500

www.acdc.co.za