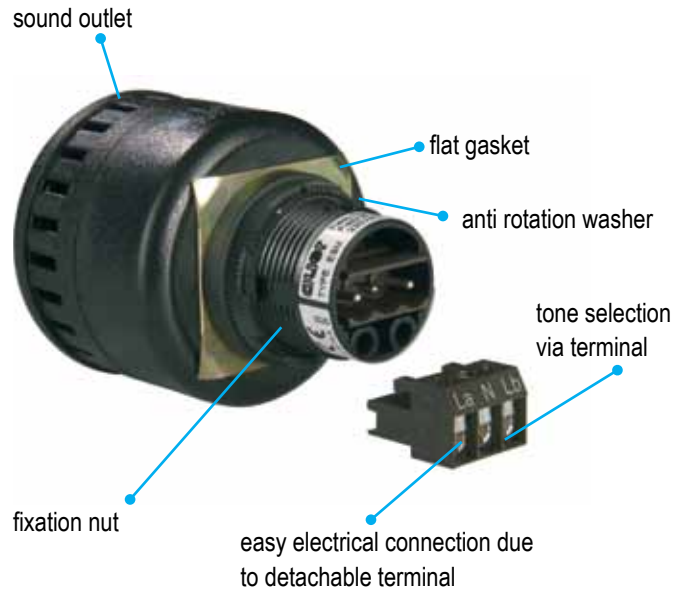


# M22 Panel Mount Buzzer ESG-ESM-ESK-ESV



• volume infinitely adjustable in panel mount condition (ESG, ESM)

## Features

- Loud universally useable panel mount buzzers
- Sizes Ø 65 – 45 – 30 mm
- 3 well distinguishable tones selectable via terminal (ESG)
- Volume infinitely adjustable also in panel mount condition (ESG-ESM)
- Wide voltage range
- PLC fit (leakage/inrush current)
- For mounting in Ø 22,5 mm or Ø 30,5 mm holes (with adapter)

## Panel mount buzzer ESG-ESM-ESK-ESV

Tone selection via terminal

La	N	Lb		
X	X		pulsing tone	ESG – ESM – ESV – ESK
X	X		wobble tone (alternating frequency)	ESG
X	X	X	continuous tone	ESG – ESM – ESV – ESK

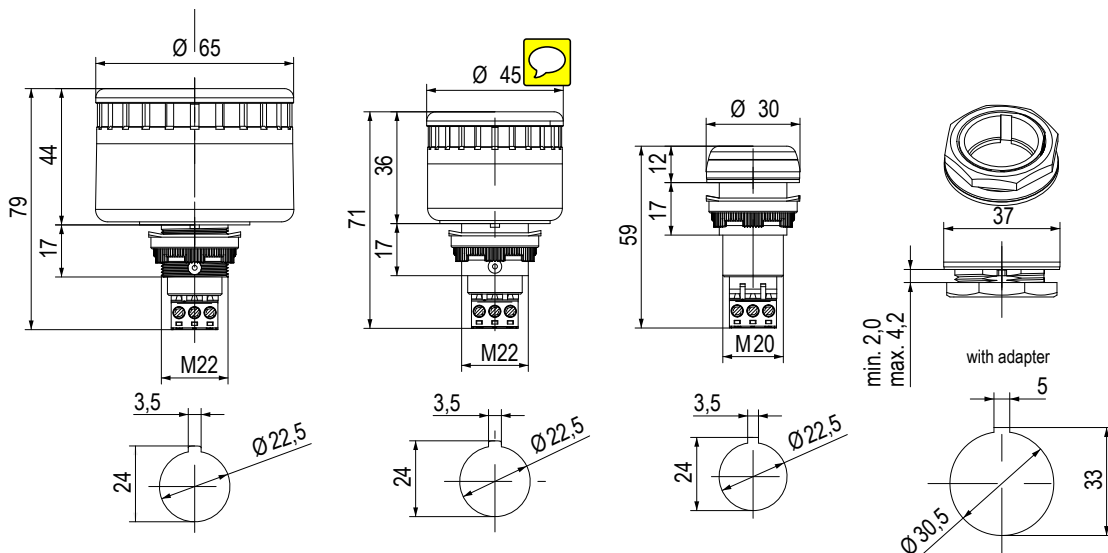




## Technical data



Type	ESG	ESM	ESV	ESK
Size Ø mm	65	45	30	
Housing, colour	polycarbonate, grey RAL 7035 or black RAL 9005			
Mounting	M22 - for mounting in Ø 22,5 mm or Ø 30,5 mm holes (with adapter)			
Tone type	cont.-/pulsing-/wobble tone		continuous-/pulsing tone	
Tone frequency	3.300 Hz		3.500 Hz	
Max. sound pressure	85-105 dB	85-100 dB	85 dB	65 dB
Duty cycle factor	100 %			
Protection class	IP 65, UL type 4/4X/13			
Terminal	up to 2,5 mm <sup>2</sup>			
Temperature range	-25 °C to +60 °C			
Weight	65	35	30	



## Order data

Type	Nominal voltage (V)	Order No.		Voltage range (V)	Nominal current (A)
		Housing grey	Housing black		
ESG	12-24 V AC/DC	814 100 405	814 500 405	8-24 V AC/DC	0,057
	110/120 V AC	814 100 310	814 500 310	75-140 V AC	0,042
	230/240 V AC	814 100 313	814 500 313	150-260 V AC	0,044
ESM	12-24 V AC/DC	813 100 405	813 500 405	8-24 V AC/DC	0,019
	110/120 V AC	813 100 310	813 500 310	75-140 V AC	0,042
	230/240 V AC	813 100 313	813 500 313	150-260 V AC	0,040
ESK	12-24 V AC/DC	812 100 405	812 500 405	10-24 V AC/DC	0,046
	110/120 V AC	812 100 310	812 500 310	75-140 V AC	0,017
	110 V DC	812 100 010	812 500 010	+/- 10 %	0,011
ESV	230/240 V AC	812 100 313	812 500 313	150-260 V AC	0,020
	12-24 V AC/DC	812 110 405	812 510 405	10-24 V AC/DC	0,046
	110/120 V AC	812 110 310	812 510 310	75-140 V AC	0,017
	110 V DC	812 110 010	812 510 010	+/- 10 %	0,011
	230/240 V AC	812 110 313	812 510 313	150-260 V AC	0,020



## Accessories

Denomination	Order No.
Adapter M30,5	812 500 900
Fastening tool	812 400 900

