

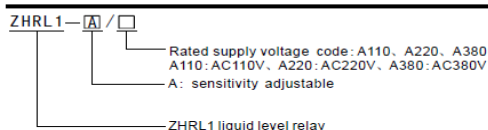
ZHRL1

Operating Instructions for ZHRL1 Liquid Level Relay

Function Features

- Width: 36mm;
- Sensitivity: 5kΩ~100kΩ, adjustable, for various liquids;
- With adjustable operation delay to prevent nuisance Trips;
- Two operating modes available: bipolar probe and tripolar probe;
- LED indicator indicates the state of water level;
- Usable for charge/dis-charge;
- Can be din rail / panel mounted

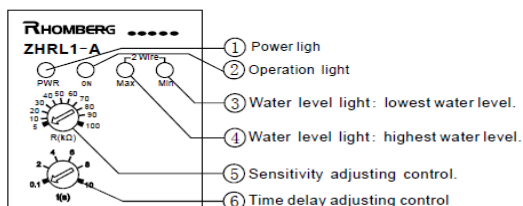
Model and Connotation



Main Technical Parameters

Model	ZHRL1-A
Rated supply voltage	AC110V, AC220V, AC380V 50/60Hz Allowable fluctuation range: ±10%
Sensitivity adjustable range	5kΩ...100kΩ
Time delay adjustable range	0.1s...10s
Operation mode	3 Wire or 2 Wire
Cable length	≤100m
Rated dissipation	≤1.5VA
Electrical durability	100000 cycles
Mechanical durability	1000000 cycles
Conventional heat current	5A
Utilisation category	AC-15
Contact capacity	AC-15: Ue/Ie AC240V/1.5A, AC380V/0.95A
Height above sea level	≤2000m
IP degree of protection	IP20
Pollution degree	3
Operation temperature	-20...60℃
Permissible relative humidity	≤50%(40℃)
Storage temperature	-30...75℃

Schematic Diagram of the Panel

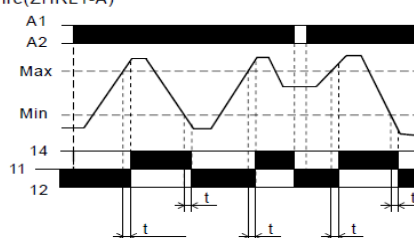


Operating Instructions

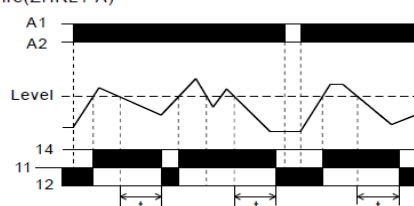
1. When setting sensitivity for ZHRL1-A, please adjust the sensitivity adjusting knob to the minimum value, and place Max and C probes into the liquid, adjust the knob clockwise slowly, and stop when the relay operation light illuminates. When it is necessary to set under 2 Wire mode, please short-circuit Max and C. After the relay is powered on again, the relay will operate under 2 Wire (now, Max and Min indicator lights will shine at the same time).
2. After ZHRL1-A is powered on, four indicator lights will be lit up to test the operating mode.
3. Not be used for controlling inflammable and explosive liquid.

Functional Diagram

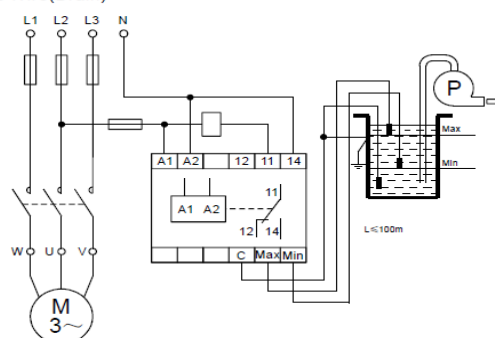
3 Wire(ZHRL1-A)



2 Wire(ZHRL1-A)



3 Wire(Drain)



BRANCH CONTACT DETAILS

Johannesburg	010 202 3300
Germiston	011 418 9600
Cape Town	021 510 0710
Pinetown	031 700 4215
Riverhorse	031 492 4800

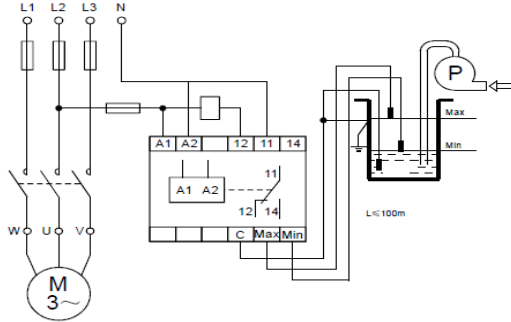
NATIONAL CALL CENTRE

Sales 010 202 3400
Technical 010 202 3500

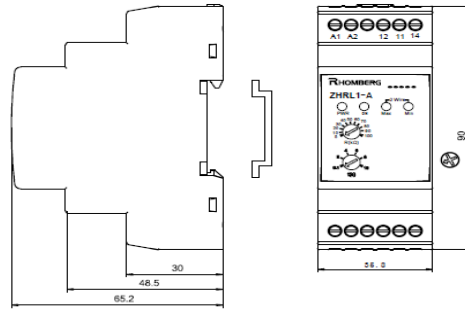
www.acdc.co.za

ZHRL1

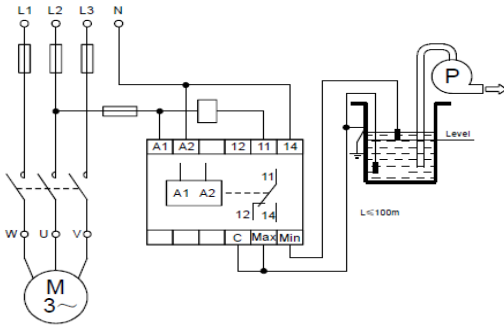
3 Wire(Fill)



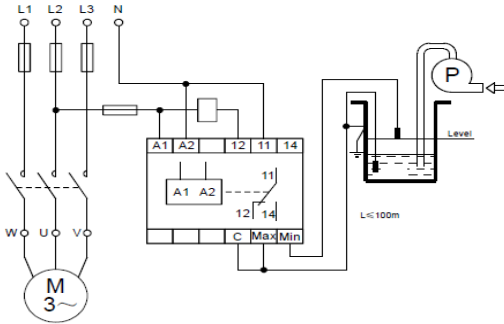
Overall Dimensions



2 Wire(Drain)



2 Wire(Fill)



Warning

1. This product shall be installed, operated and maintained by qualified personnel.
2. Whether or not the product functions normally, user shall not dismantle or repair the said product without permission, and we shall not assume any responsibility for accident as a result thereof.
3. Please refer to the wiring diagram in Operation Instructions for installation.
4. Never place power input line in the same conduit with other wires with heavy current. Please use shielded wire if necessary .
5. Do not use this product in areas with dust, corrosive gases and with exposure to direct sunlight and rain.
6. Never use this product in medium with explosion hazard and with gases that may corrode metals and destroy the insulation.
7. Please store and use this product at rated supply voltage and stated temperature, height above sea level and humidity.
8. Failure to follow these instructions can result in, serious injury, or equipment damage.
9. The warranty period of this product shall be 18 months under normal use.

BRANCH CONTACT DETAILS

Johannesburg	010 202 3300
Germiston	011 418 9600
Cape Town	021 510 0710
Pinetown	031 700 4215
Riverhorse	031 492 4800

NATIONAL CALL CENTRE

Sales **010 202 3400**
Technical **010 202 3500**

www.acdc.co.za